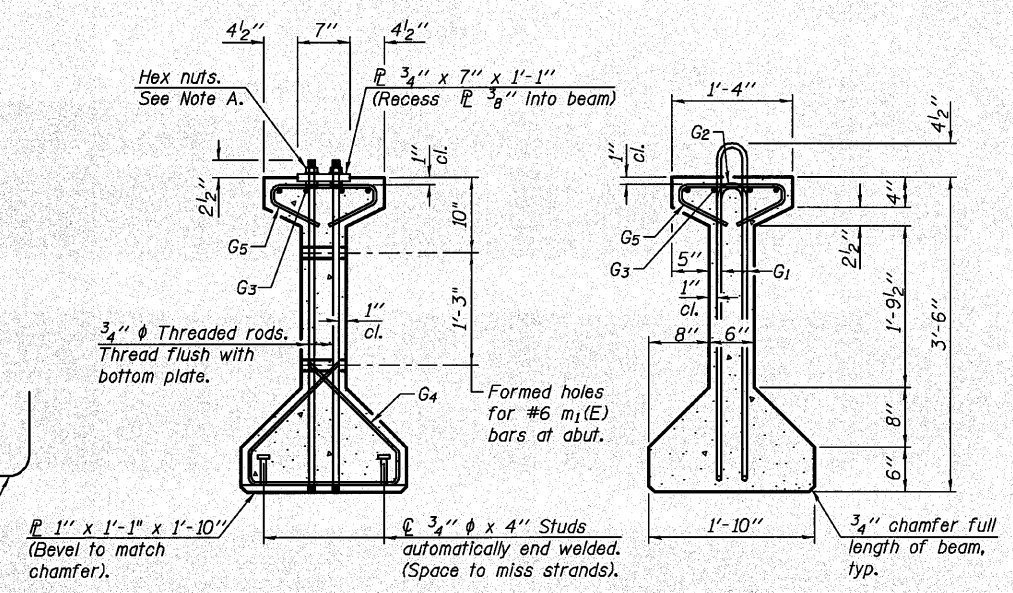


**ELEVATION OF BEAM**  
(Showing reinforcement & dimensions)

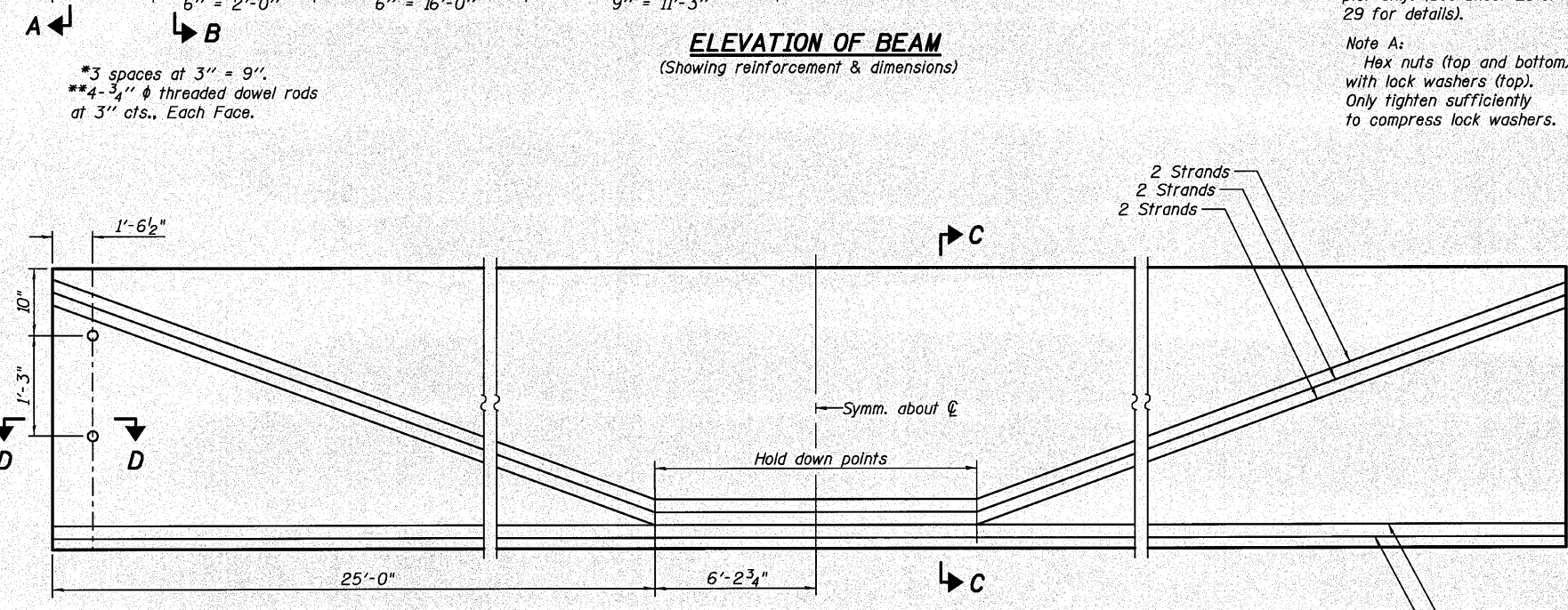
\*3 spaces at 3" = 9".  
\*\*4-3/4" diameter threaded dowel rods at 3" cts., Each Face.

2-#8 G6 bar assembly with threaded coupler splice at pier only. (See sheet 21 of 29 for details).  
Note A: Hex nuts (top and bottom) with lock washers (top). Only tighten sufficiently to compress lock washers.

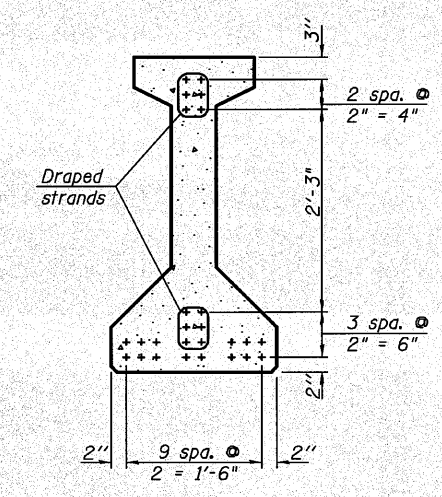


**SECTION A-A**

**SECTION B-B**



**ELEVATION OF BEAM**  
(Showing prestressing steel)



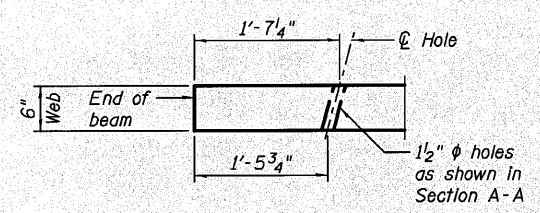
**SECTION C-C**

**\*\*\*BAR LIST**  
**ONE BEAM ONLY**

| Bar | No. | Size | Length | Shape |
|-----|-----|------|--------|-------|
| G1  | 105 | #4   | 8'-5"  | U     |
| G2  | 105 | #4   | 6'-8"  | U     |
| G3  | 8   | #6   | 32'-4" | —     |
| G4  | 38  | #3   | 4'-11" | U     |
| G5  | 63  | #3   | 2'-6"  | U     |
| G6  | 2   | #8   | 6'-6"  | U     |

\*\*\*For information only

Notes:  
See sheet 21 of 29 for additional details and Bill of Material.  
Required release strength, f'ci, shall be 6000 psi.  
See Framing Plan for location of inserts for drainage pipe supports and location of permanent bracing.



**SECTION D-D**

11/22/2010 10:07:14 AM G:\ENVS\05-6790-144 D2 Bridges Phase 2\ILL2\CAD\Structures\SHA\0378176\_64025\_010 Beam Elev.dgn



|                |           |
|----------------|-----------|
| DESIGNED - GPM | REVISED - |
| CHECKED - BJM  | REVISED - |
| DRAWN - GPM    | REVISED - |
| CHECKED - BJM  | REVISED - |

PLOT DATE = 11/22/2010

STATE OF ILLINOIS  
DEPARTMENT OF TRANSPORTATION

42" PPC I-BEAM SPANS 1 & 3  
STRUCTURE NO. 037-0176

SHEET NO. 19 OF 29 SHEETS

| F.A.P. RTE. | SECTION | COUNTY | TOTAL SHEETS | SHEET NO. |
|-------------|---------|--------|--------------|-----------|
| 638         | 1298R-4 | HENRY  | 93           | 40        |

CONTRACT NO. 64025  
ILLINOIS FED. AID PROJECT