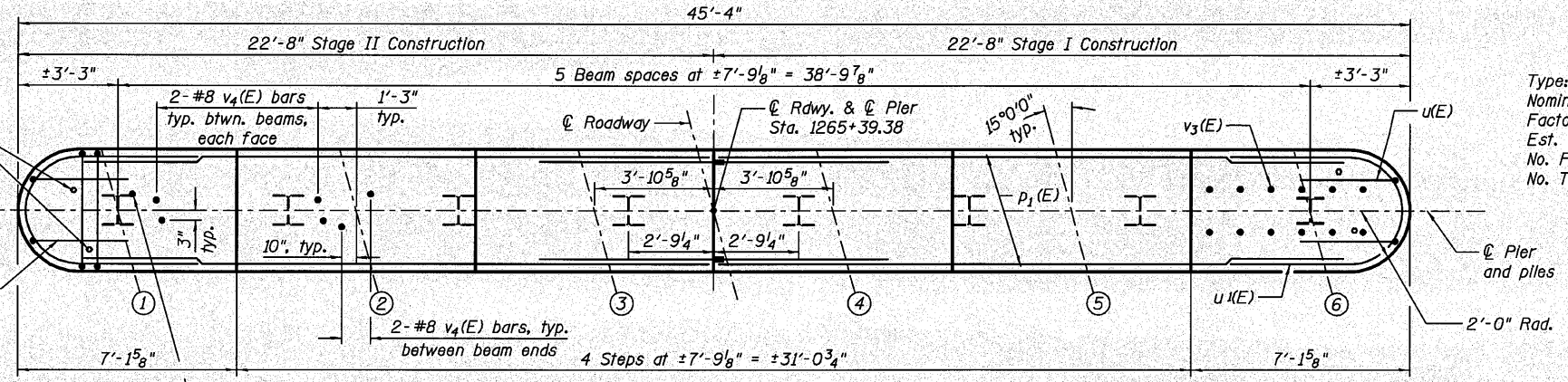




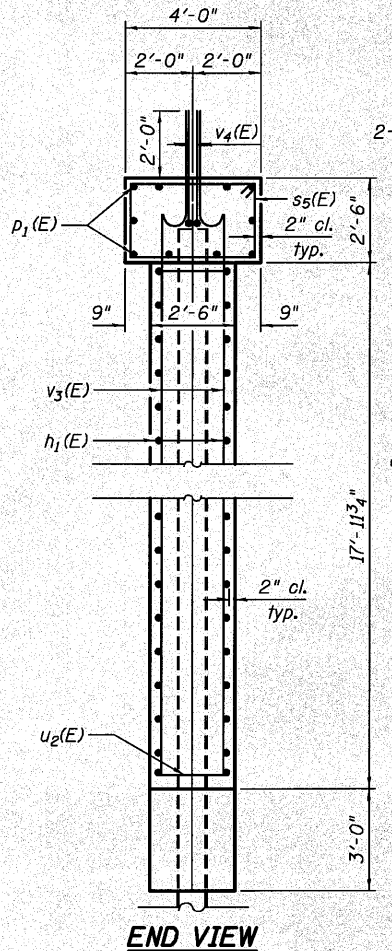
1/2" x 18" Anchor bolts
See sheet 17 of 29.



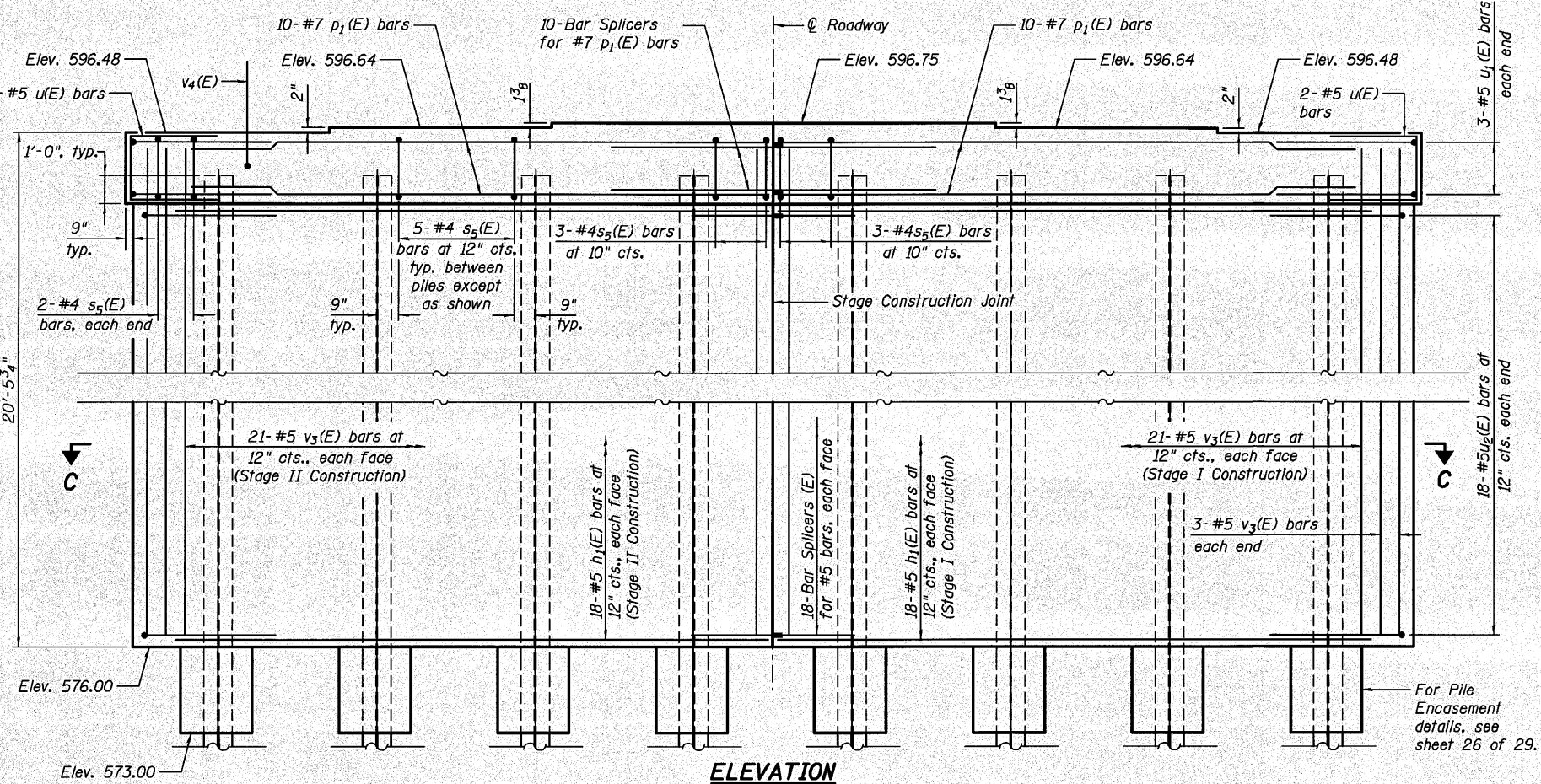
TOP PLAN

PILE DATA

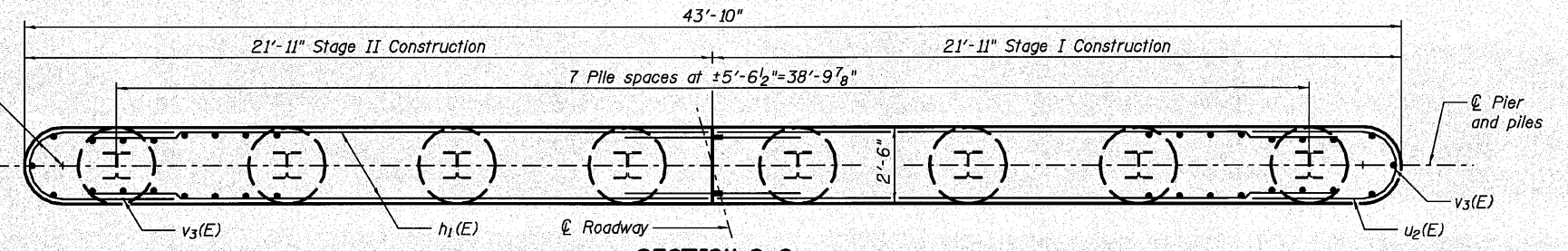
Type:	HP14x73 w/ Pile Shoes
Nominal Required Bearing:	578 kips
Factored Resistance Available:	283.4 kips
Est. Length:	53 ft.
No. Production Piles:	7
No. Test Piles:	1



END VIEW



ELEVATION



SECTION C-C

Note:
If a portion of the pier wall or concrete encasement is under water, reinforcement may be placed underwater into forms. Concrete shall be tremied according to Article 503.08 of the Standard Specifications to an elevation of 1'-0" above the water line at the time of construction.

BILL OF MATERIAL

Bar	No.	Size	Length	Shape
h1(E)	72	#5	20'-6"	—
p1(E)	20	#7	20'-6"	—
s5(E)	40	#4	12'-5"	□
u(E)	4	#5	7'-7"	U
u1(E)	6	#5	13'-4"	U
u2(E)	36	#5	11'-1"	U
v3(E)	90	#5	19'-6"	—
v4(E)	30	#8	4'-2"	—
Structure Excavation		Cu. Yd.	21	
Concrete Structures		Cu. Yd.	90.9	
Concrete Encasement		Cu. Yd.	4.4	
Reinforcement Bars, Epoxy Coated		Pound	5400	
Bar Splicers		Each	46	
Furnishing Steel Piles HP14x73		Foot	371	
Driving Piles		Foot	371	
Test Pile Steel HP14x73		Each	1	
Pile Shoes		Each	8	
Underwater Structure Excavation Protection - Location 2		Each	1	

For details of piles see sheet 26 of 29.
For bar bend diagrams see sheet 24 of 29.

11/22/2010 10:07:29 AM G:\ENR\08-57798-146 D2 Bridges Phase 2\11.02\CON\Structures\Shr\0370176.04\26.dwg, P:er2.dgn



DESIGNED - GPM	REVISD -
CHECKED - BJM	REVISD -
DRAWN - MWS	REVISD -
CHECKED - BRT	REVISD -

DESIGNED - GPM	REVISD -
CHECKED - BJM	REVISD -
DRAWN - MWS	REVISD -
CHECKED - BRT	REVISD -

STATE OF ILLINOIS
DEPARTMENT OF TRANSPORTATION

PIER 2
STRUCTURE NO. 037-0176
SHEET NO. 25 OF 29 SHEETS

F.A.P. RTE.	SECTION	COUNTY	TOTAL SHEETS	SHEET NO.
638	129BR-4	HENRY	93	46
				CONTRACT NO. 64D25
ILLINOIS FED. AID PROJECT				