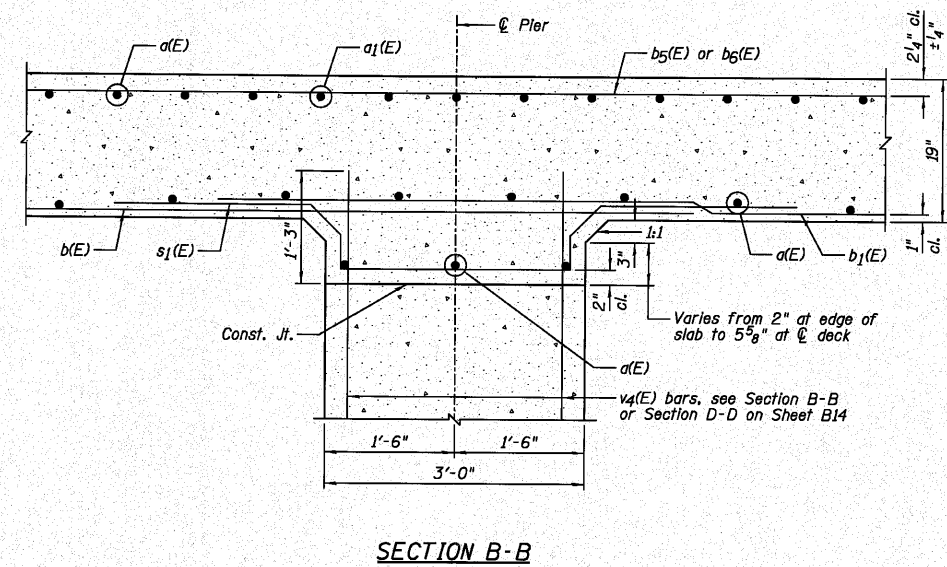
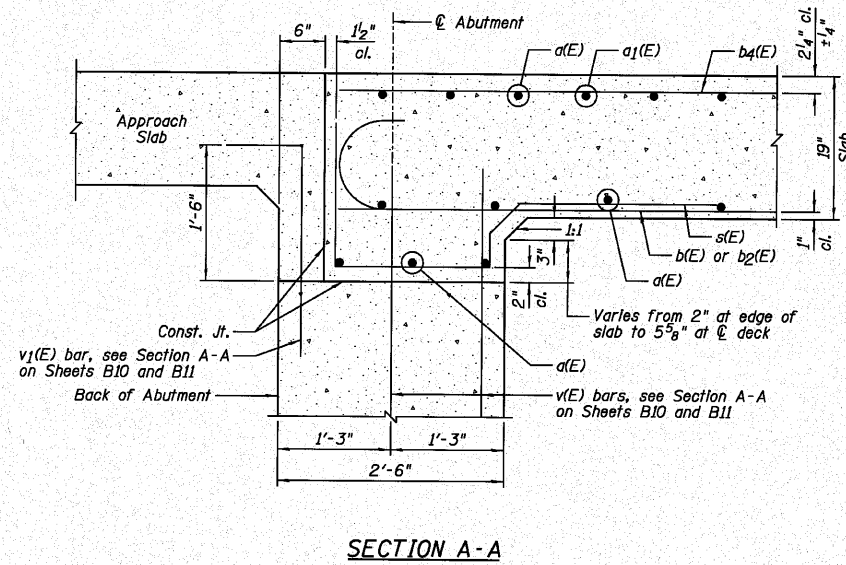
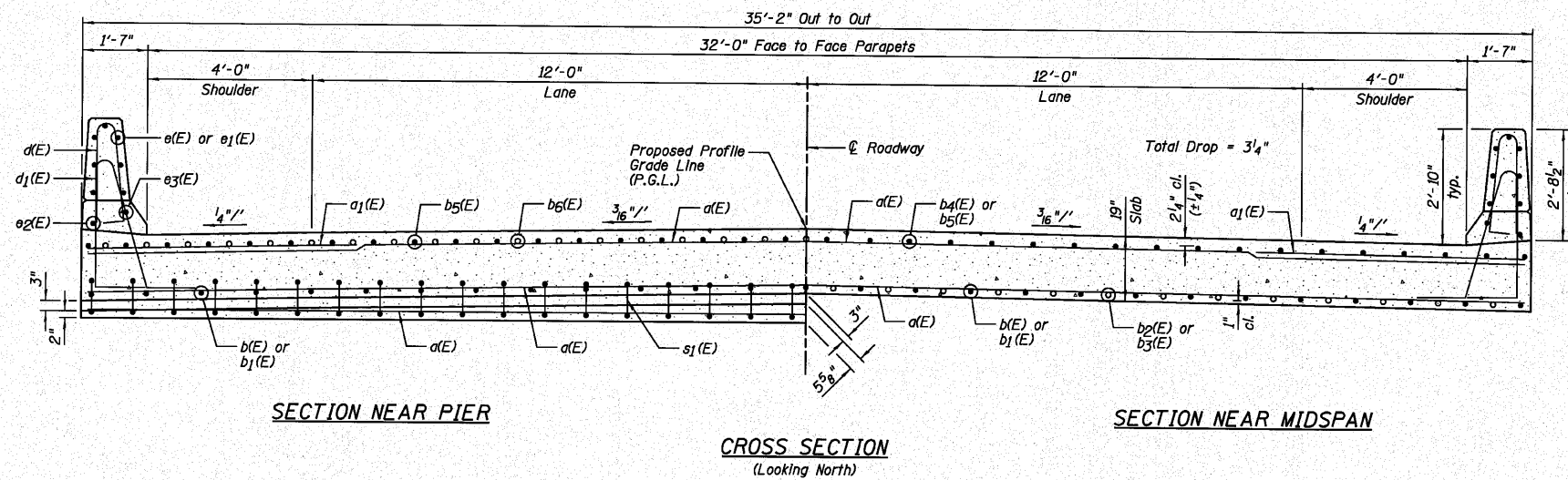


STATE OF ILLINOIS
DEPARTMENT OF TRANSPORTATION



DESIGNED	SDH
CHECKED	JML
DRAWN	DJM/JWK
CHECKED	MSW
DATE	10/08/10

NOTES:
1.) For Section Thru Parapet, see Sheet B7.
2.) For locations of Sections A-A and B-B, see Sheet B5.

Farnsworth
GROUP, INC.
2709 McGraw Drive
Bloomington, Illinois 61704
309/663-8435, 309/663-1571 fax

SHEET NO. B6 17 SHEETS	F.A.S. RTE. 1249	SECTION (23 BR)BR	COUNTY BUREAU	TOTAL SHEETS 39	SHEET NO. 19
	CONTRACT NO. 66909				
FED. ROAD DIST. NO.		ILLINOIS FED. AID PROJECT			

**SUPERSTRUCTURE CROSS SECTION
STRUCTURE NO. 006-0182**