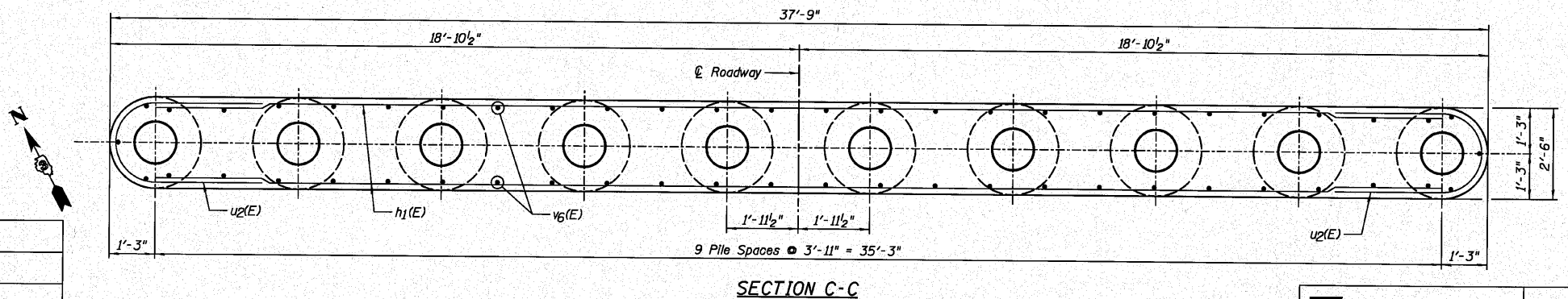
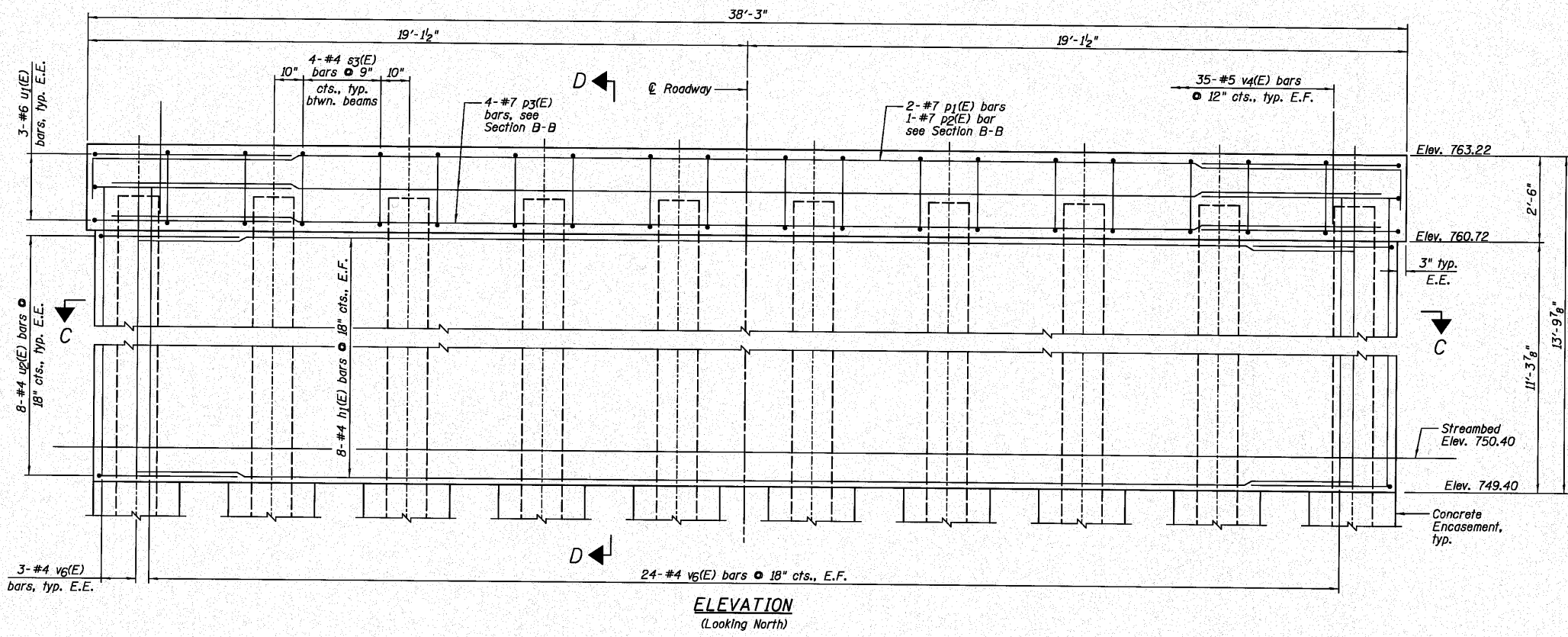
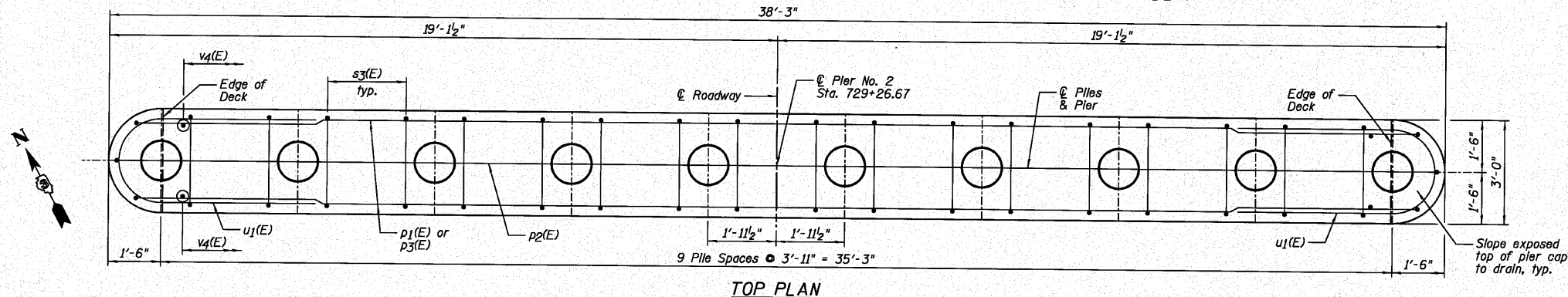


STATE OF ILLINOIS
DEPARTMENT OF TRANSPORTATION



PIER NO. 2
BILL OF MATERIAL

Bar	No.	Size	Length	Shape
h1(E)	16	#4	35'-9"	—
p1(E)	2	#7	38'-7"	—
p2(E)	1	#7	40'-1"	—
p3(E)	4	#7	36'-3"	—
s3(E)	36	#4	10'-5"	□
u1(E)	6	#6	13'-0"	C
u2(E)	16	#4	9'-3"	C
v4(E)	70	#5	3'-3"	—
v6(E)	54	#4	12'-5"	—
Item	Unit	Quantity		
Structure Excavation	Cu. Yd.	28		
Concrete Structures	Cu. Yd.	49.5		
Concrete Encasement	Cu. Yd.	4.3		
Reinforcement Bars, Epoxy Coated	Pound	2,070		
Furnishing Metal Shell Piles 14" x 0.250"	Foot	470		
Driving Piles	Foot	470		
Pile Shoes	Each	10		
Underwater Structure Excavation Protection - Location 2	Each	1		

PILE DATA:

Pile Type and Size	Metal Shell - 14 in. dia. x 0.250 in. walls with pile shoes
Nominal Required Bearing	292 kips
Factored Resistance Available	161 kips
Estimated Pile Length	47 Feet
Number of Production Piles	10
Number of Test Piles	0

NOTES:

- 1.) If a portion of the pier wall or concrete encasement is under water, reinforcement may be placed under water into forms. Concrete shall be tremied according to Article 503.08 of the Standard Specifications to an elevation 1'-0" above the water line at the time of construction.
- 2.) E.F. denotes Each Face and E.E. denotes Each End.
- 3.) See Sheet B14 for Section D-D.

DESIGNED	SDH
CHECKED	JML
DRAWN	DJM/JWK
CHECKED	MSW
DATE	10/08/10

Farnsworth GROUP, INC.
2709 McGraw Drive
Bloomington, Illinois 61704
309/663-8435, 309/663-1571 fax

SHEET NO. B13
17 SHEETS

F.A.S. RTE.	SECTION	COUNTY	TOTAL SHEETS	SHEET NO.
1249	(23 BR)BR	BUREAU	39	26
CONTRACT NO. 66909				
FED. ROAD DIST. NO.	ILLINOIS	FED. AID PROJECT		

PIER NO. 2
STRUCTURE NO. 006-0182