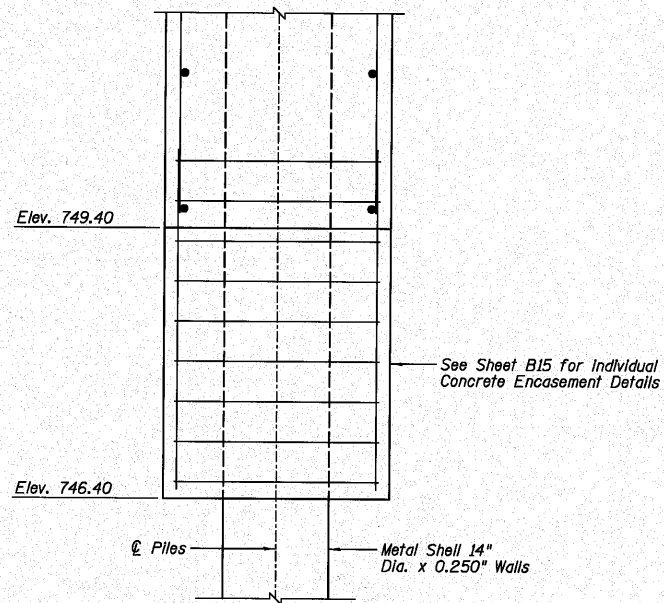
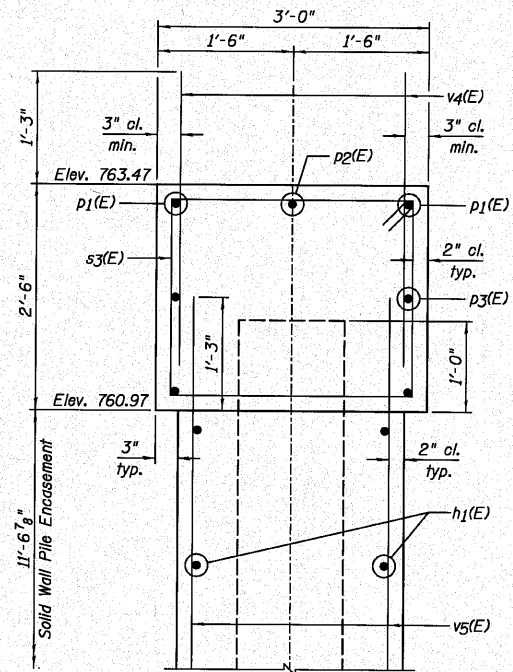
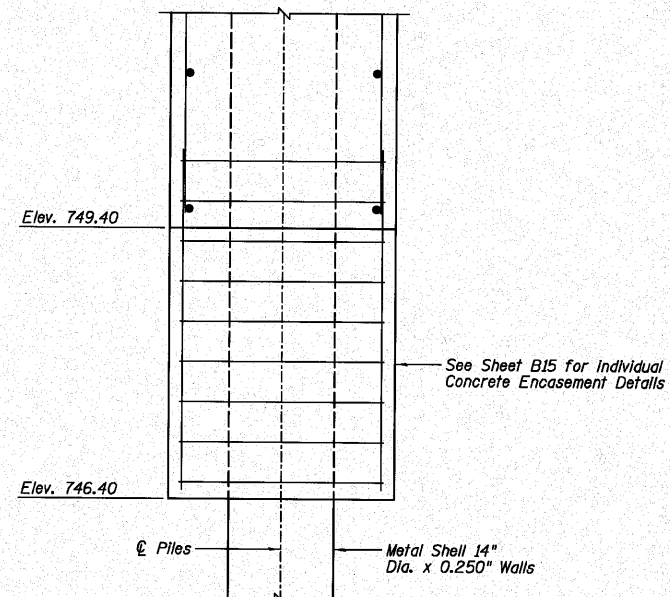
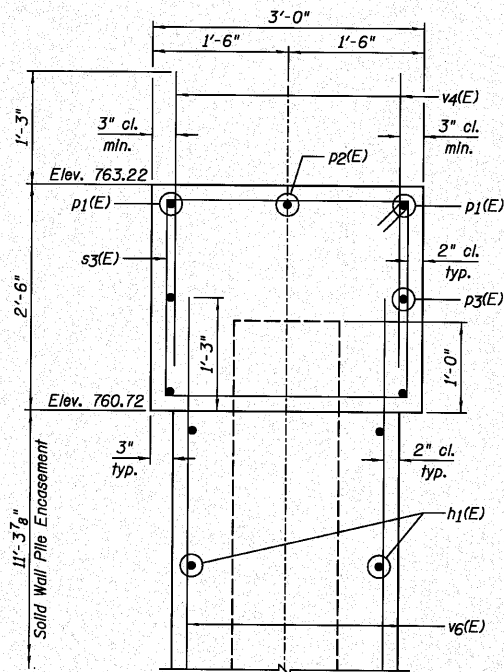


STATE OF ILLINOIS  
DEPARTMENT OF TRANSPORTATION



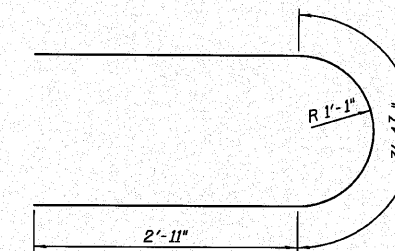
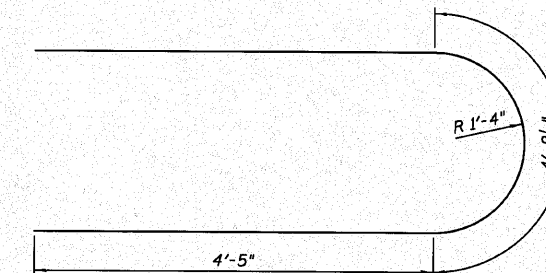
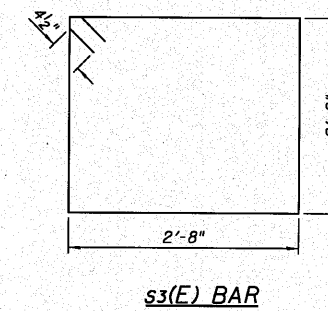
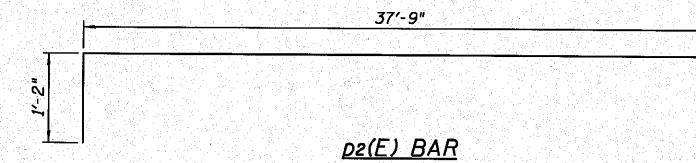
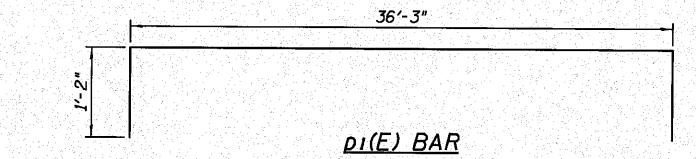
SECTION B-B



SECTION D-D

NOTES:

- 1.) If a portion of the pier wall or concrete encasement is under water, reinforcement may be placed underwater into forms. Concrete shall be tremied according to Article 503.02 of the Standard Specifications to an elevation 1'-0" above the water line at the time of construction.
- 2.) See Sheet B12 for location of Section B-B.
- 3.) See Sheet B13 for location of Section D-D.



PIER DETAILS  
STRUCTURE NO. 006-0182

DESIGNED	SDH
CHECKED	JML
DRAWN	DJM/JWK
CHECKED	MSW

DATE 10/08/10

**Farnsworth**  
GROUP, INC.  
2709 McGraw Drive  
Bloomington, Illinois 61704  
309/663-8435, 309/663-1571 fax

SHEET NO. B14 17 SHEETS	F.A.S. RTE. 1249	SECTION (23 BR)BR	COUNTY BUREAU	TOTAL SHEETS 39	SHEET NO. 27
	CONTRACT NO. 66909				
FED. ROAD DIST. NO.		ILLINOIS FED. AID PROJECT			