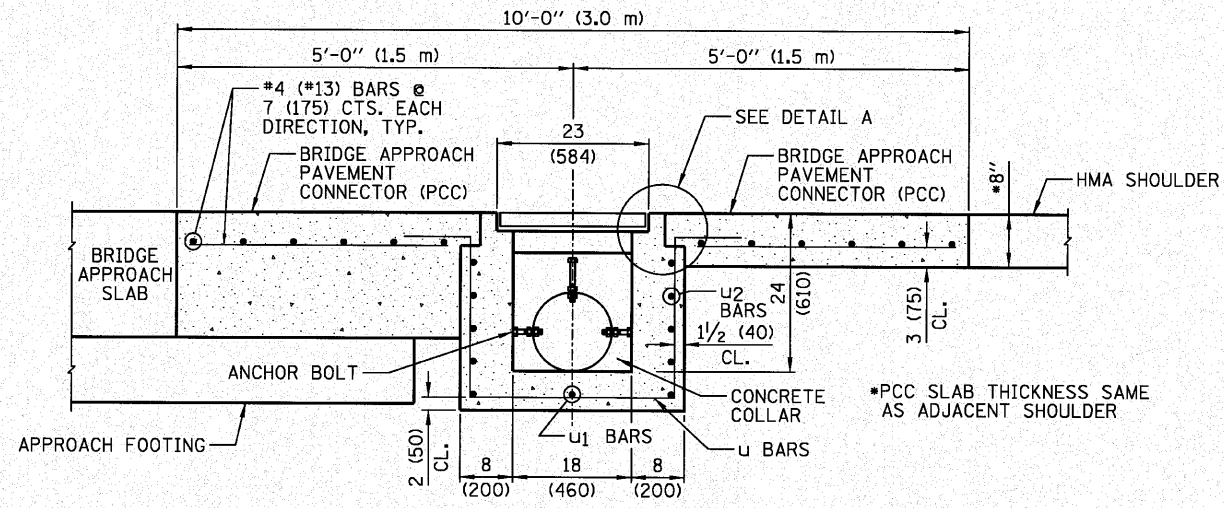
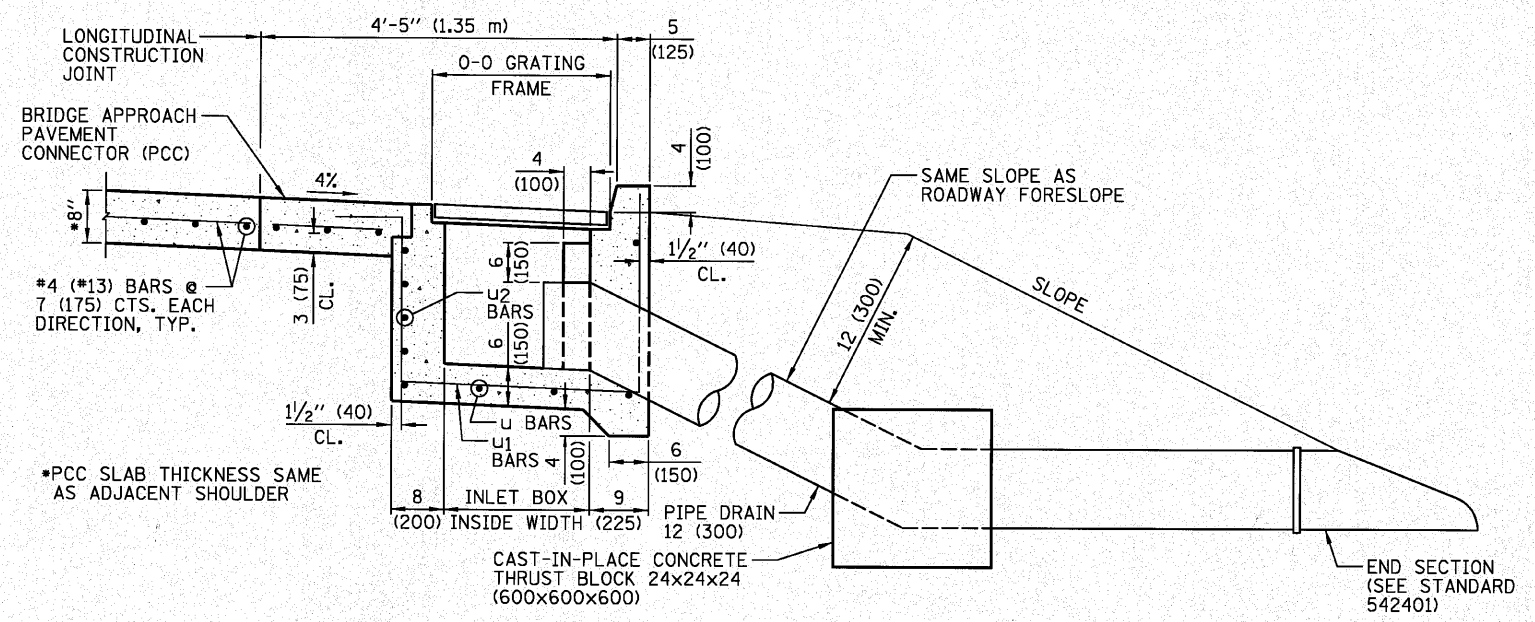


PLAN

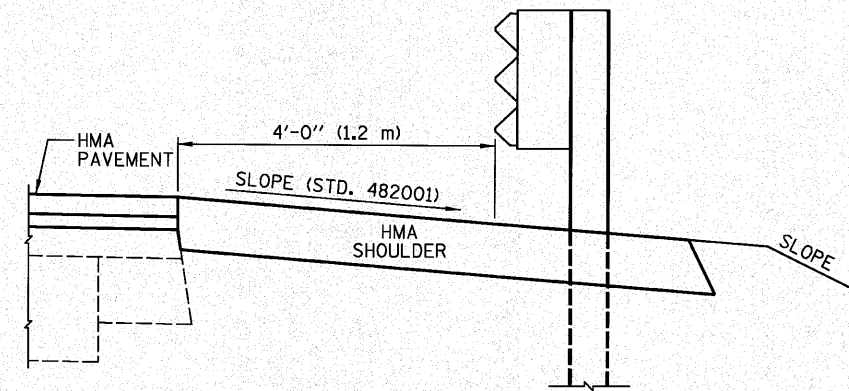


SEC. A-A

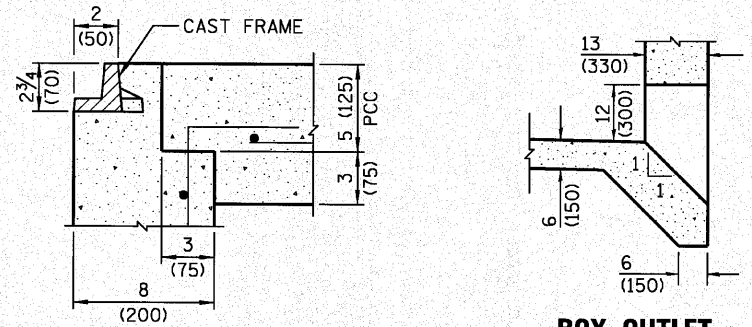
INLET TYPE	SHOULDER WIDTH	O-O GRATING FRAME	INLET BOX INSIDE WIDTH	INLET BOX INSIDE LENGTH
Type B	Less than 5' (1.5 m)	2'-3" (0.690 m)	1'-10" (0.560 m)	18 (460)



SEC. B-B

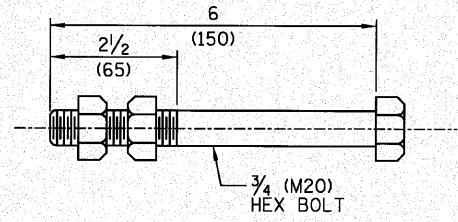


SECTION C-C



DETAIL A

BOX OUTLET WHEN PRECAST



ANCHOR BOLT

(USED TO TIE PIPE TO CONCRETE COLLAR)

GENERAL NOTES

ALL EXPOSED EDGES OF THE INLET, EXCEPT THE UPPER PERIMETER, SHALL BE BEVELED 3/4 (20).

ALL DIMENSIONS ARE IN INCHES (MILLIMETERS) UNLESS OTHERWISE SHOWN.

TYPE B INLET BOX, STANDARD 609006 (SPECIAL)

(SHEET 1 OF 2)

FILE NAME =	USER NAME = #USER*	DESIGNED - JML	REVISED -
#FILE#		DRAWN - JJO	REVISED -
	PLOT SCALE = #SCALE*	CHECKED - MSW	REVISED -
	PLOT DATE = #DATE*	DATE - 10/08/10	REVISED -

**STATE OF ILLINOIS
DEPARTMENT OF TRANSPORTATION**

DETAILS

F.A.S. RTE.	SECTION	COUNTY	TOTAL SHEETS	SHEET NO.
1249	(23 BRIBR	BUREAU	39	33
CONTRACT NO. 66909				
FED. ROAD DIST. NO.		ILLINOIS FED. AID PROJECT		

FARNSWORTH GROUP, INC.

CONSULTING ENGINEERS - 2709 MCGRAW DRIVE BLOOMINGTON, ILLINOIS 61704 (309) 663-8435 / (309) 663-1571 FAX

24-8372