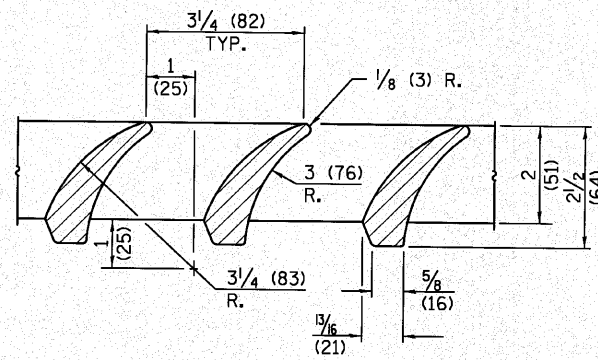
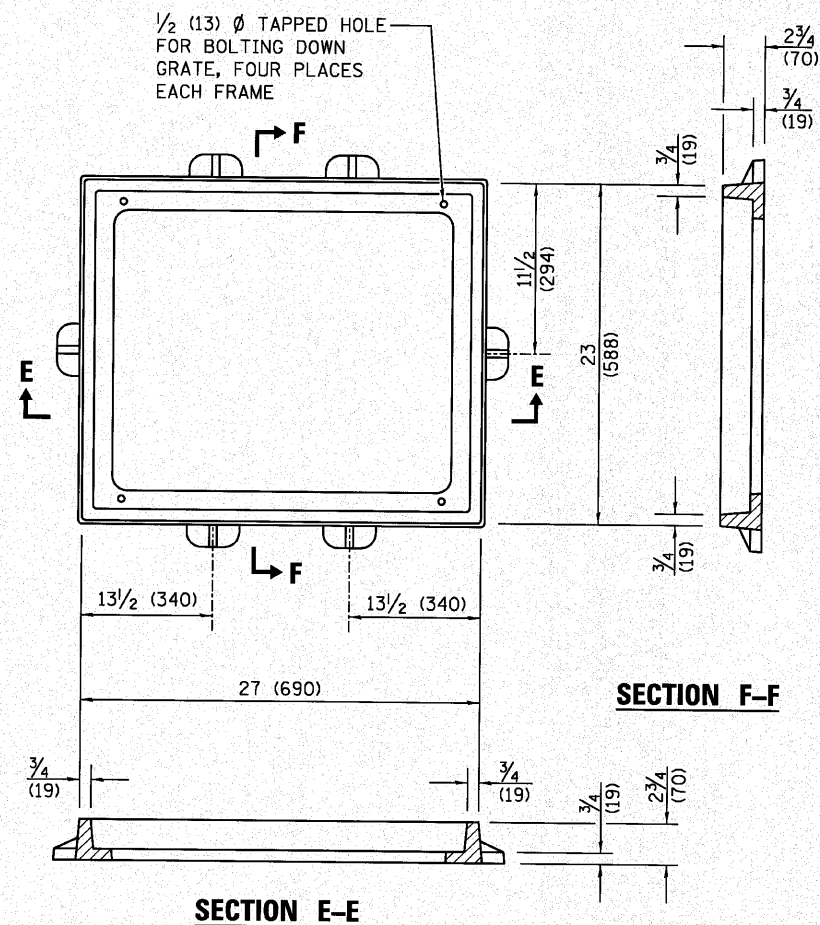


SECTION C-C

DETAIL OF CAST GRATE
TYPE B REQUIRES 1 GRATE



DETAIL B

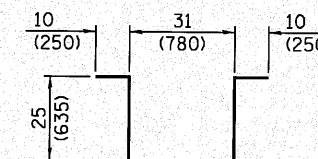


SECTION E-E

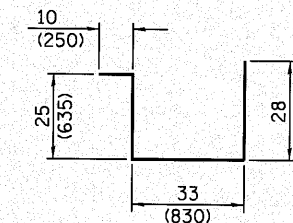
DETAIL OF CAST FRAME

INLET BOX

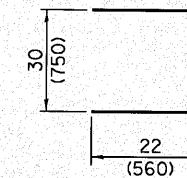
REQUIRED MATERIAL			
BAR	QTY.	SIZE	LENGTH
u	4	#4 (#13)	8'-5" (2.550 m)
u1	3	#4 (#13)	8'-0" (2.425 m)
u2	4	#4 (#13)	6'-2" (1.870 m)
CONCRETE		CU. YD. (m ³)	0.5 (0.4)
REINF. BARS		LBS. (kg)	55.0 (25.0)
GRATING		SQ. FT. (m ²)	3.6 (0.34)



BAR u



BARS u1



BARS u2

**TYPE B INLET BOX,
STANDARD 609006 (SPECIAL)**

(SHEET 2 OF 2)

FILE NAME = *FILEL*	USER NAME = *USER*	DESIGNED - JML	REVISED -	STATE OF ILLINOIS DEPARTMENT OF TRANSPORTATION	DETAILS			F.A.S. RTE. 1249	SECTION (23 BR)BR	COUNTY BUREAU	TOTAL SHEETS 39	SHEET NO. 34
		DRAWN - JJO	REVISED -		SCALE:	SHEET NO.	OF SHEETS	STA.	TO STA.	FED. ROAD DIST. NO.	ILLINOIS FED. AID PROJECT	CONTRACT NO. 66909
		CHECKED - MSW	REVISED -									
		DATE - 10/08/10	REVISED -									