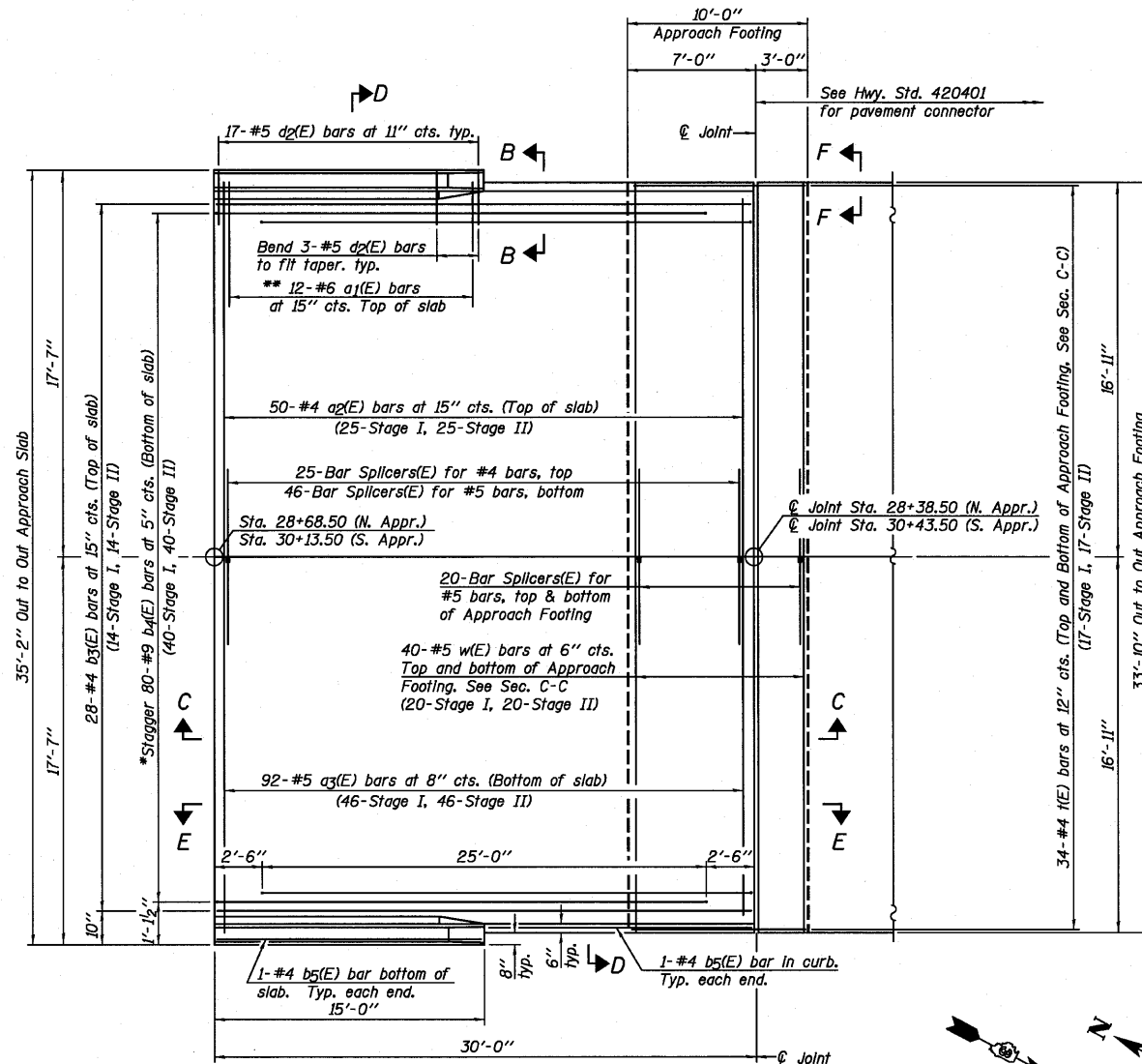
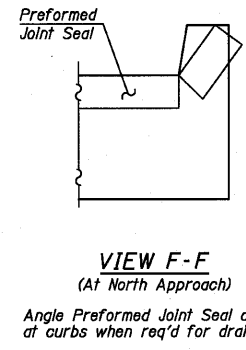
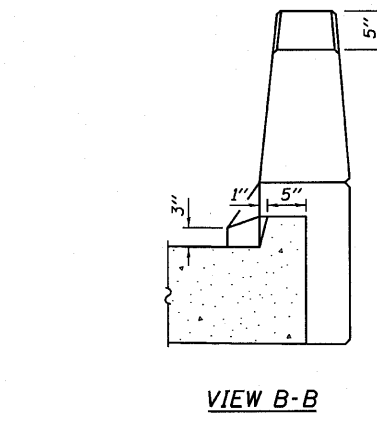
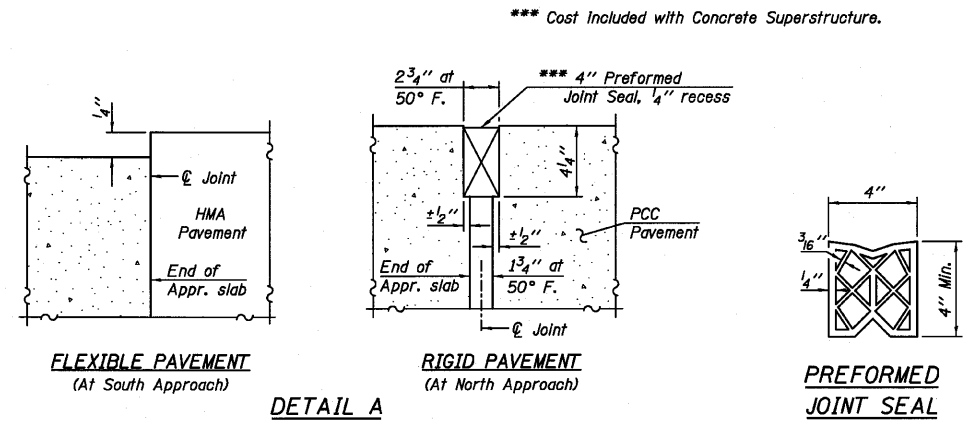
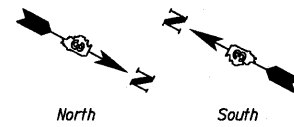


STATE OF ILLINOIS
DEPARTMENT OF TRANSPORTATION

Notes:
See Sheet B13 for Sections C-C & D-D and View E-E.
a2(E) and a3(E) bar spacings measured along ϕ Rdwy.



PLAN
* Tilt #9 b4(E) bars as required to maintain clearance.
** Space between a2(E) bars, typ. ea. parapet.



DESIGNED	SDH
CHECKED	JML
DRAWN	DJM
CHECKED	MSW

DATE 10/08/10 BA-0 7-1-10

BRIDGE APPROACH SLAB DETAILS
STRUCTURE NO. 006-0181

Farnsworth GROUP, INC. 2709 McGraw Drive Bloomington, Illinois 61704 309/663-8435, 309/663-1571 fax	SHEET NO. B12	F.A.P. RTE.	SECTION	COUNTY	TOTAL SHEETS	SHEET NO.
	23 SHEETS	698	(101 BR)BR	BUREAU	47	26
		CONTRACT NO. 66910				
		FED. ROAD DIST. NO.	ILLINOIS	FED. AID PROJECT		