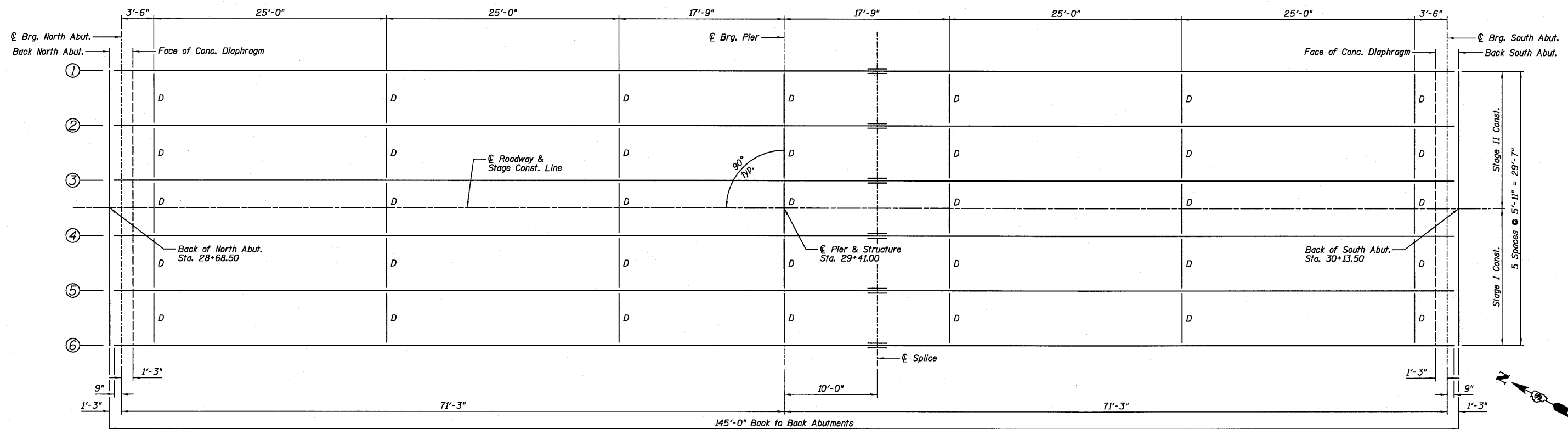
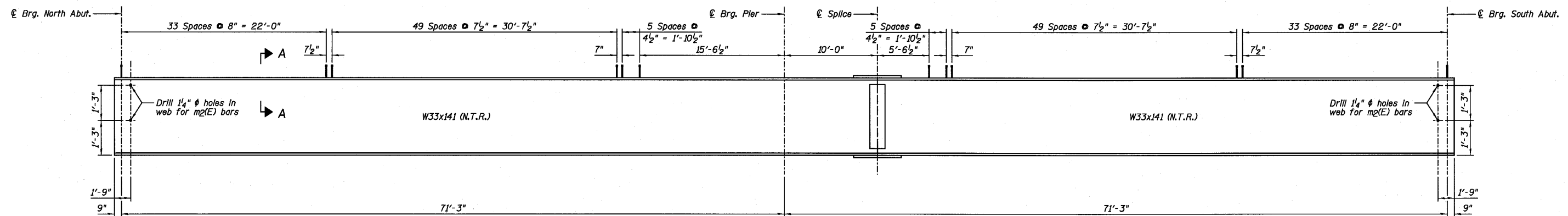


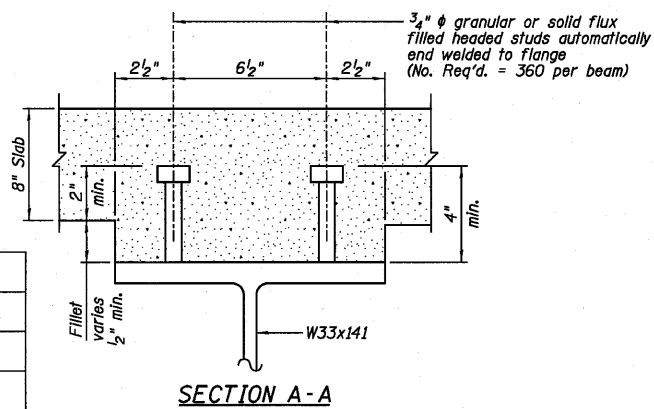
STATE OF ILLINOIS
DEPARTMENT OF TRANSPORTATION



PLAN



ELEVATION



SECTION A-A

FABRICATED TOP OF BEAM ELEVATION TABLE						
Location	Beam No. 1	Beam No. 2	Beam No. 3	Beam No. 4	Beam No. 5	Beam No. 6
C Brg. N. Abut.	768.77	768.88	768.97	768.97	768.88	768.77
C Pier	770.63	770.74	770.83	770.83	770.74	770.63
C Splice	770.89	771.00	771.09	771.09	771.00	770.89
C Brg. S. Abut.	773.02	773.12	773.22	773.22	773.12	773.02

For fabrication use only.

NOTES:

- See Sheet B15 for Splice Details and Diaphragm Details.
- Load carrying components designated N.T.R. shall conform to the Supplemental Requirements for Notch Toughness, Zone 2.
- All diaphragms shall be installed as steel is erected and secured with erection pins and bolts except as otherwise noted. Individual diaphragms at supports may be temporarily disconnected to install bearing anchor rods.

STRUCTURAL STEEL
STRUCTURE NO. 006-0181

DESIGNED	SDH
CHECKED	JML
DRAWN	DJM
CHECKED	MSW

DATE 10/08/10

Farnsworth
GROUP, INC.
2709 McGraw Drive
Bloomington, Illinois 61704
309/663-8435, 309/663-1571 fax

SHEET NO. B14
23 SHEETS

F.A.P. RTE.	SECTION	COUNTY	TOTAL SHEETS	SHEET NO.
698	(101 BR)BR	BUREAU	47	28
CONTRACT NO. 66910				
FED. ROAD DIST. NO.	ILLINOIS	FED. AID PROJECT		