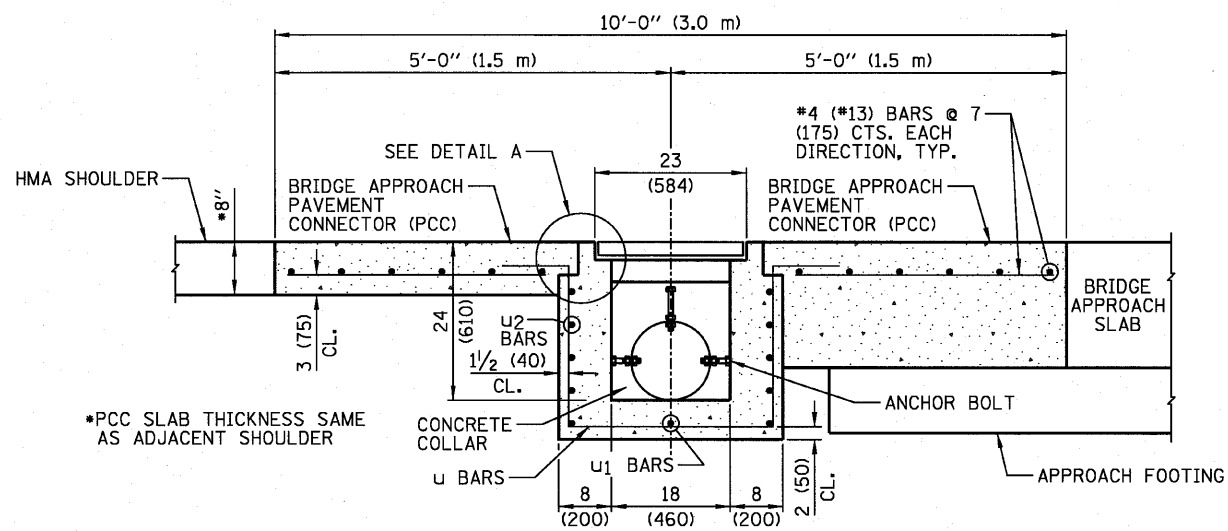
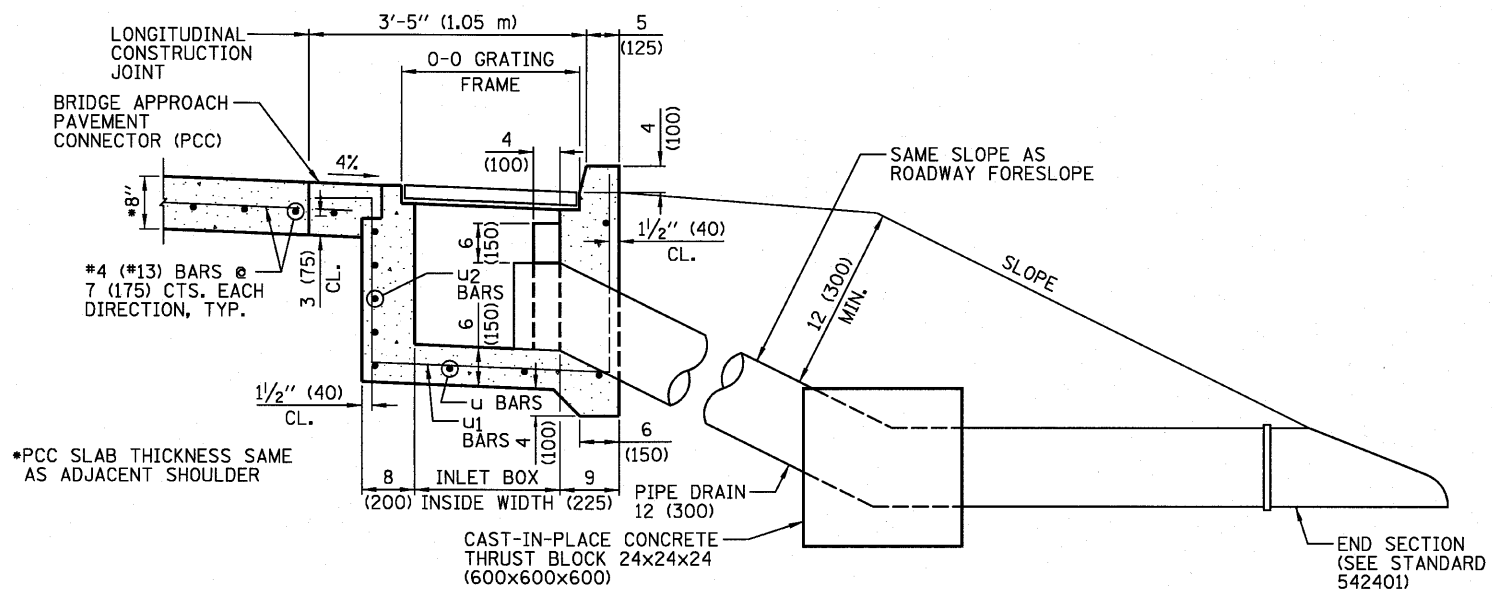


PLAN

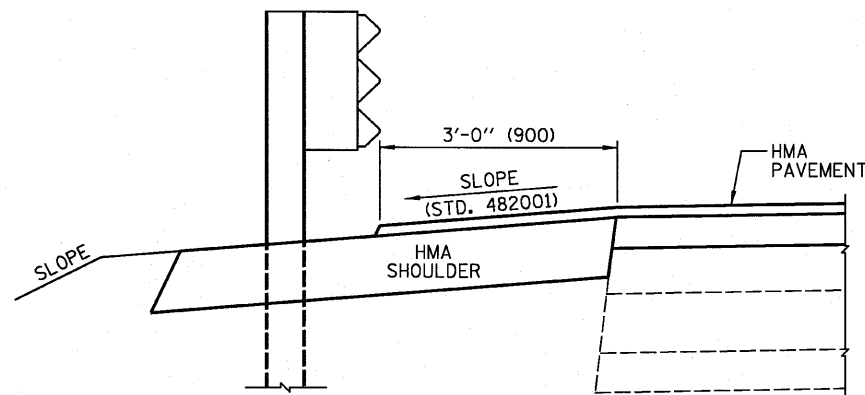


SEC. A-A

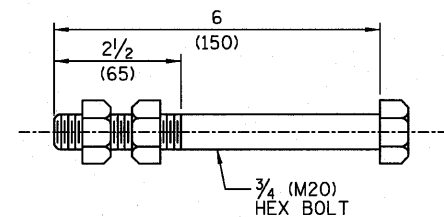
INLET TYPE	SHOULDER WIDTH	O-O GRATING FRAME	INLET BOX INSIDE WIDTH	INLET BOX INSIDE LENGTH
Type B	Less than 5' (1.5 m)	2'-3" (0.690 m)	1'-10" (0.560 m)	18 (460)



SEC. B-B

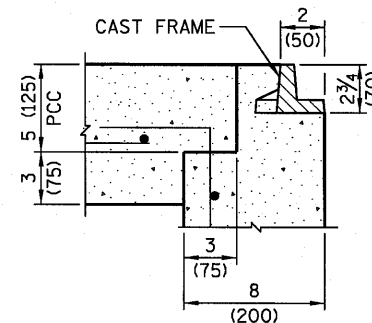


SECTION C-C

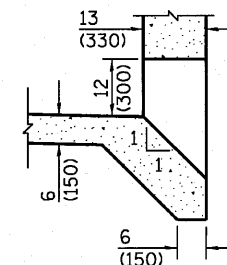


ANCHOR BOLT

(USED TO TIE PIPE TO CONCRETE COLLAR)



DETAIL A



BOX OUTLET WHEN PRECAST

GENERAL NOTES

ALL EXPOSED EDGES OF THE INLET, EXCEPT THE UPPER PERIMETER, SHALL BE BEVELED 3/4 (20).

ALL DIMENSIONS ARE IN INCHES (MILLIMETERS) UNLESS OTHERWISE SHOWN.

TYPE B INLET BOX, STANDARD 609006 (SPECIAL)

(SHEET 1 OF 2)

FILE NAME =	USER NAME = #USER#	DESIGNED - JML	REVISED -	STATE OF ILLINOIS DEPARTMENT OF TRANSPORTATION	DETAILS	F.A.P. RTE. 698	SECTION (101 BR)BR	COUNTY BUREAU	TOTAL SHEETS 47	SHEET NO. 40
#FILE#	PLOT SCALE = #SCALE#	DRAWN - JJO	REVISED -			SCALE: SHEET NO. OF SHEETS STA. TO STA.	FED. ROAD DIST. NO.	ILLINOIS FED. AID PROJECT	CONTRACT NO. 66910	
	PLOT DATE = #DATE#	CHECKED - MSW	REVISED -							
		DATE - 10/08/10	REVISED -							