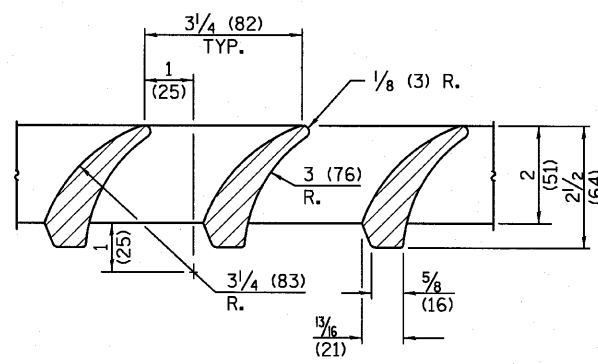


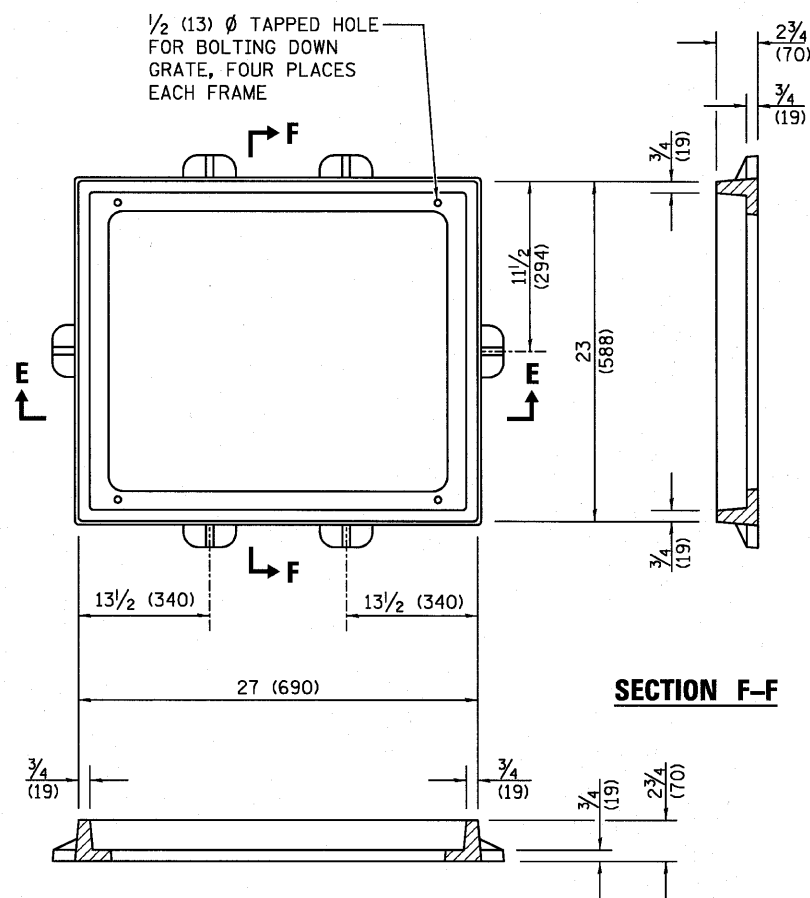
SECTION C-C

DETAIL OF CAST GRATE

TYPE B REQUIRES 1 GRATE



DETAIL B

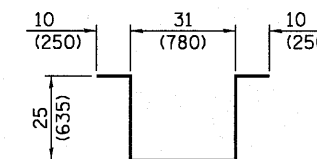


SECTION E-E

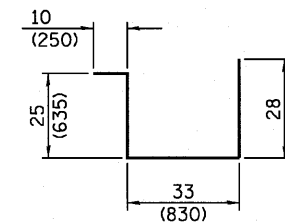
DETAIL OF CAST FRAME

INLET BOX

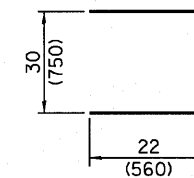
REQUIRED MATERIAL			
BAR	QTY.	SIZE	LENGTH
U	4	#4 (#13)	8'-5" (2.550 m)
U ₁	3	#4 (#13)	8'-0" (2.425 m)
U ₂	4	#4 (#13)	6'-2" (1.870 m)
CONCRETE	CU. YD. (m ³)		0.5 (0.4)
REINF. BARS	LBS. (kg)		55.0 (25.0)
GRATING	SO. FT. (m ²)		3.6 (0.34)



BAR U



BARS U₁



BARS U₂

**TYPE B INLET BOX,
STANDARD 609006 (SPECIAL)**

(SHEET 2 OF 2)

FILE NAME =	USER NAME = #USER#	DESIGNED - JML	REVISED -	STATE OF ILLINOIS DEPARTMENT OF TRANSPORTATION	DETAILS	F.A.P. RTE. 698	SECTION (101 BR)BR	COUNTY	TOTAL SHEETS 47	SHEET NO. 41	
*FILE#		DRAWN - JJO	REVISED -			SCALE: SHEET NO. OF SHEETS STA. TO STA.		CONTRACT NO. 66910			
		CHECKED - MSW	REVISED -					FED. ROAD DIST. NO. ILLINOIS FED. AID PROJECT			
		DATE - 10/08/10	REVISED -								