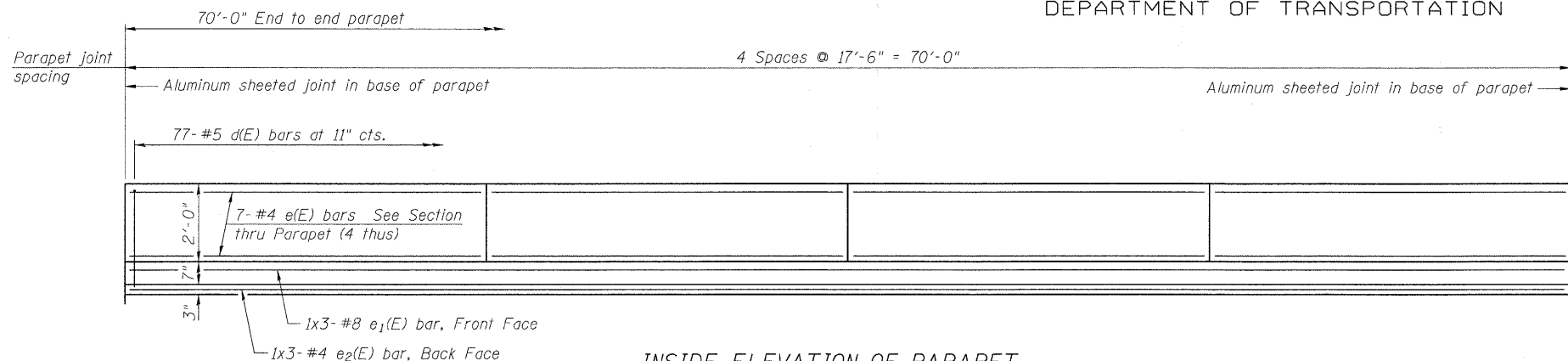
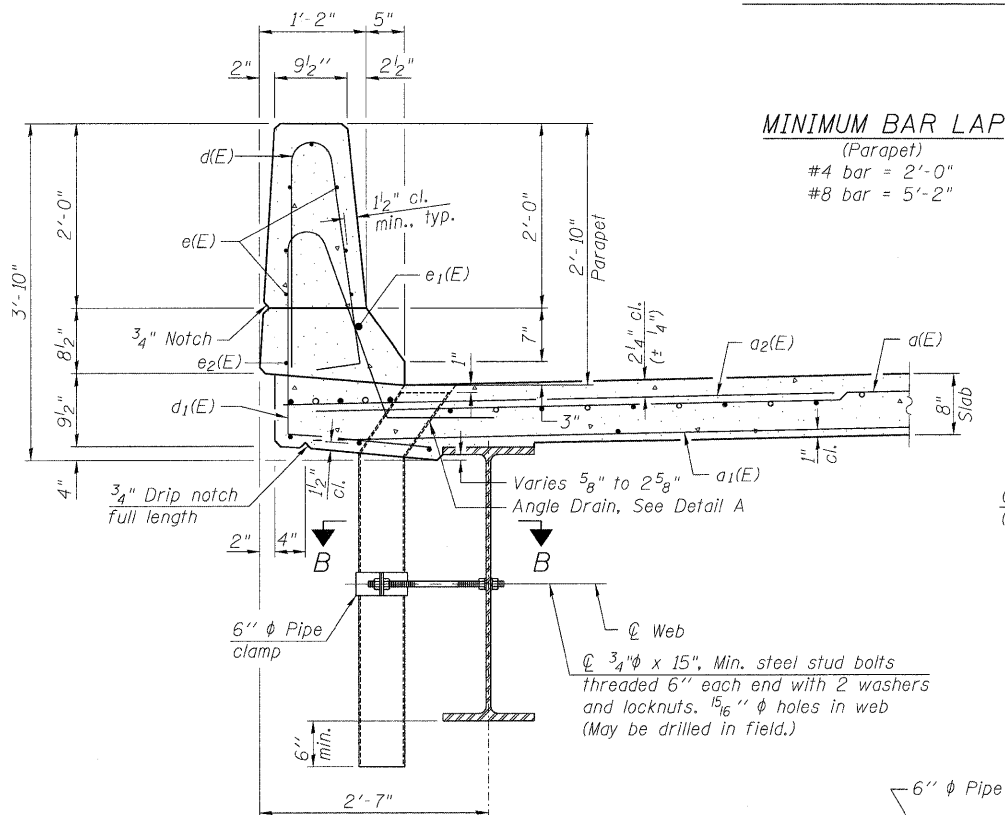


STATE OF ILLINOIS
DEPARTMENT OF TRANSPORTATION



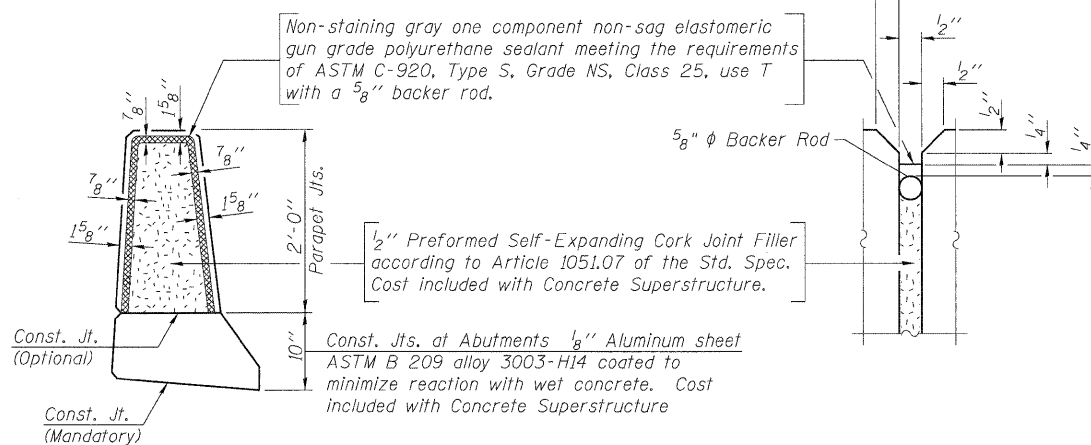
INSIDE ELEVATION OF PARAPET



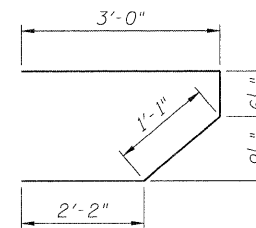
SECTION THRU PARAPET

MINIMUM BAR LAP

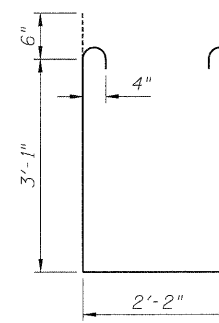
(Parapet)
#4 bar = 2'-0"
#8 bar = 5'-2"



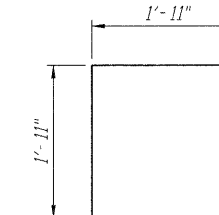
PARAPET JOINT DETAILS



BAR s(E)



BAR s₁(E)

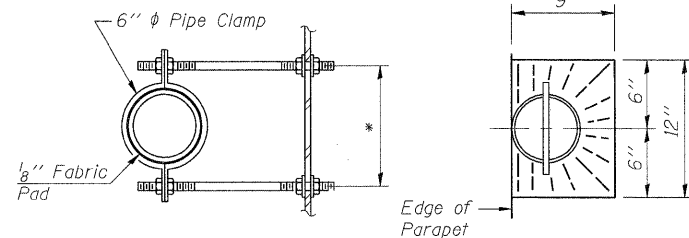


BAR v(E)

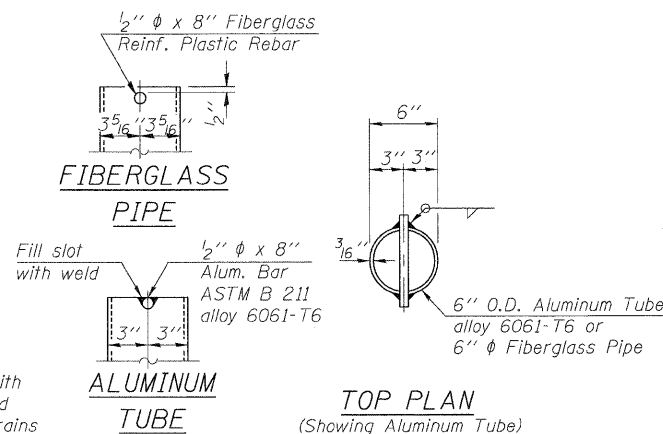
SUPERSTRUCTURE
BILL OF MATERIAL

Bar	No.	Size	Length	Shape	
a(E)	260	#5	17'-3"	—	
a ₁ (E)	170	#5	16'-9"	—	
a ₂ (E)	258	#6	6'-6"	—	
b(E)	160	#5	19'-11"	—	
b ₁ (E)	96	#5	25'-5"	—	
d(E)	154	#5	5'-7"	⌋	
d ₁ (E)	154	#5	7'-3"	⌋	
e(E)	56	#4	17'-2"	—	
e ₁ (E)	6	#8	26'-8"	—	
e ₂ (E)	6	#4	24'-7"	—	
m(E)	20	#6	17'-3"	—	
m ₁ (E)	24	#6	8'-2"	—	
m ₂ (E)	8	#6	5'-8"	—	
m ₃ (E)	4	#6	2'-3"	—	
m ₄ (E)	4	#6	2'-8"	—	
s(E)	76	#5	6'-10"	⌋	
s ₁ (E)	76	#4	9'-4"	⌋	
v(E)	72	#5	3'-10"	⌋	
Reinforcement Bars, Epoxy Coated				Pound	21,480
Concrete Superstructure				Cu. Yds.	108.2

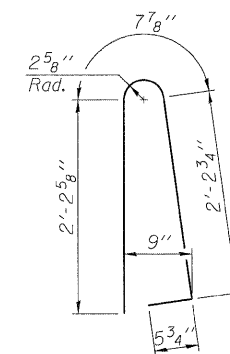
Bars indicated thus: 1x3- #8 etc. indicates 1 line of bars with 3 lengths per line.



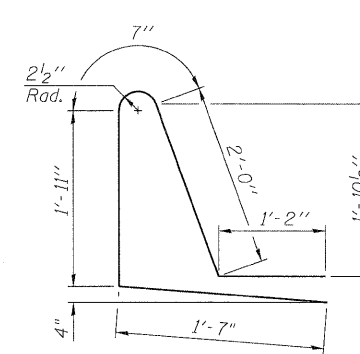
SECTION B-B
*Dimension as required by Pipe Clamp



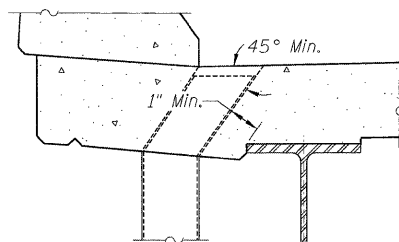
TOP PLAN (Showing Aluminum Tube)



BAR d(E)



BAR d₁(E)



DETAIL A

Note:
The exterior surfaces of the floor drains shall be painted with the finish as specified in the special provision for Cleaning and Painting New Metal Structures. The exterior surfaces of the drains shall be cleaned according to Society of Protective Coatings' Spec. SSPC-SP1 prior to painting. Fiberglass pipe shall conform to ASTM D 2996, with short-time rupture strength hoop tensile stress of 30,000 p.s.i. minimum. Galvanize clamping device according to AASHTO M232. Cost of clamping device and galvanizing included with Floor Drains.

SUPERSTRUCTURE DETAILS
STRUCTURE NO. 027-0099

ZROKA engineering
Zroka Engineering, P.C.
4216 North Hermitage
Chicago, IL 60613

DESIGNED	JLA
CHECKED	LAS
DRAWN	SAW
CHECKED	JLA

S-I-D 11-1-09

SHEET NO. 9 OF 21 SHEETS	F.A.P. RTE.	SECTION	COUNTY	TOTAL SHEETS	SHEET NO.
	796	(106)BR-3	FORD	48	20
SN 027-0099			CONTRACT NO. 66916		
FED. ROAD DIST. NO. _ ILLINOIS FED. AID PROJECT					