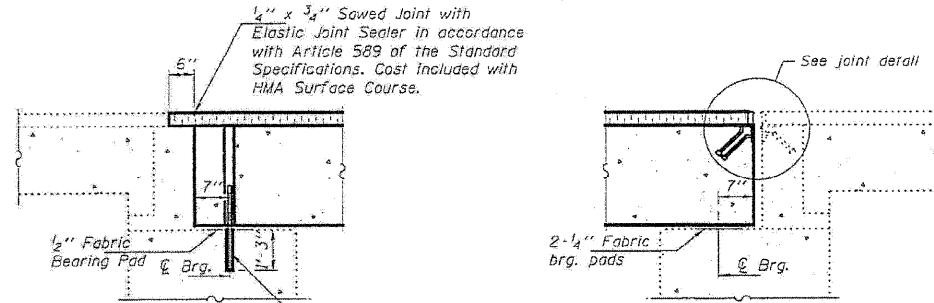


STATE OF ILLINOIS
DEPARTMENT OF TRANSPORTATION

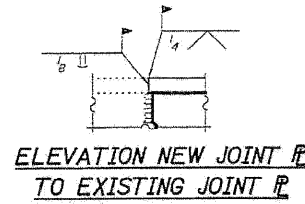
ROUTE NO.	SECTION	DATE	DATE	SHEET NO.
FA 796	FORD	12/12	12/12	3
FED. AID DIST. NO. 1				ILLINOIS
FED. AID PROJECT				CONTRACT NO. 66767



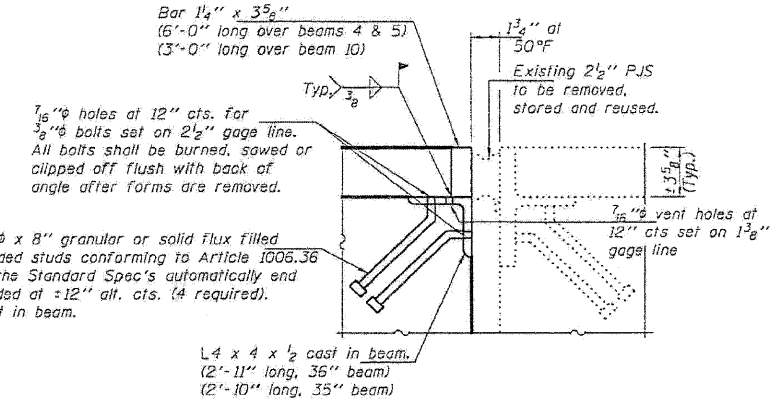
SECTION AT N. ABUTMENT

SECTION AT S. ABUTMENT

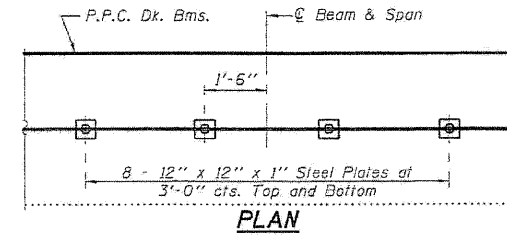
* Existing Dowel Rods shall be cut off & ground flush with the top of the existing concrete. Cost included with Removal of Existing P.P.C. Deck Beams. Proposed Dowel Rods shall be grouted after beams are in place and allowed to cure (Min. 24 hrs.) prior to grouting shear keys.



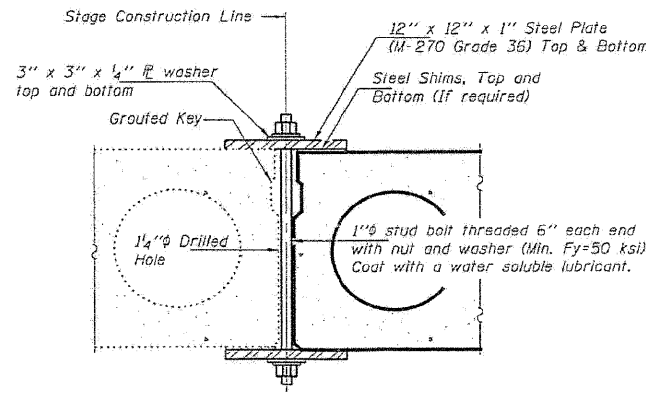
ELEVATION NEW JOINT P
TO EXISTING JOINT R



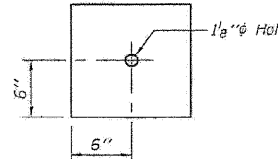
SOUTH ABUTMENT JOINT DETAIL
(Cost included with PPC Deck Beams)



PLAN



SECTION



CLAMPING PLATE

Notes:
See Special Provisions for Stage Construction Precast Prestressed Concrete Deck Beams.
See Stage Construction Detail for traffic lane.
Cost is included with Precast Prestressed Concrete Deck Beams.

DESIGNED	ATH
CHECKED	VHV
DRAWN	baliva
CHECKED	ATH VHV

DECEMBER 28, 2007
EXAMINED *Carl...*
PASSED *Ralph E....*

PD-3-S 11-1-06

REPAIR DETAILS
FA 796 OVER
DRAINAGE DITCH
FORD COUNTY
SN 027-0075

...deck beams fv08\0270075.dgn 12/28/2007 1:53:55 PM