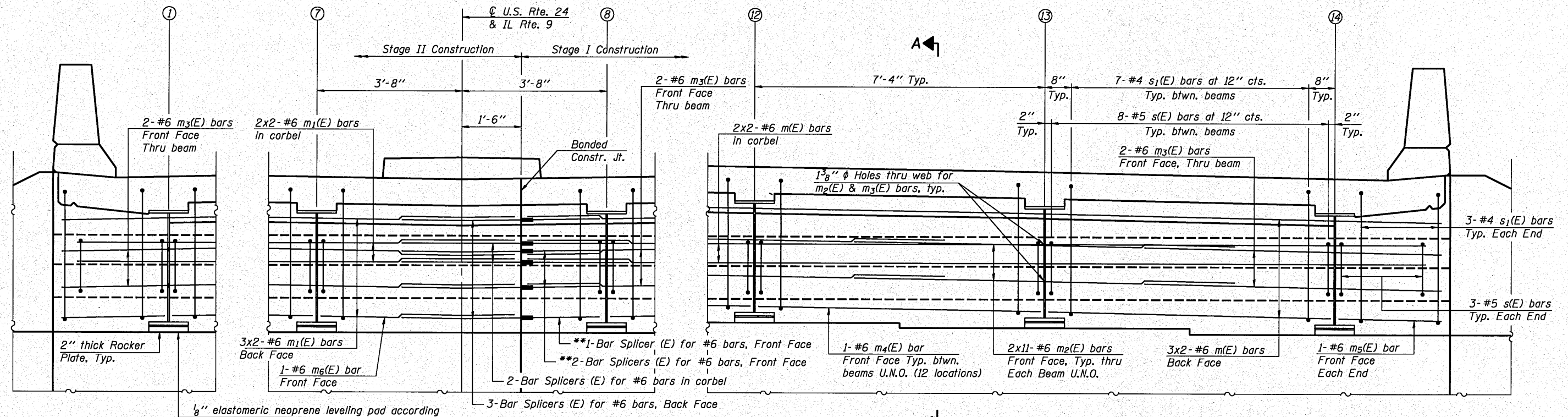


STATE OF ILLINOIS
DEPARTMENT OF TRANSPORTATION



DIAPHRAGM ELEVATION AT WEST ABUTMENT

(Looking West)
(West Abut. Shown, East Abut. similar, opp. hand)
(Dimensions at right angles to \bar{C} U.S. Rte. 24)

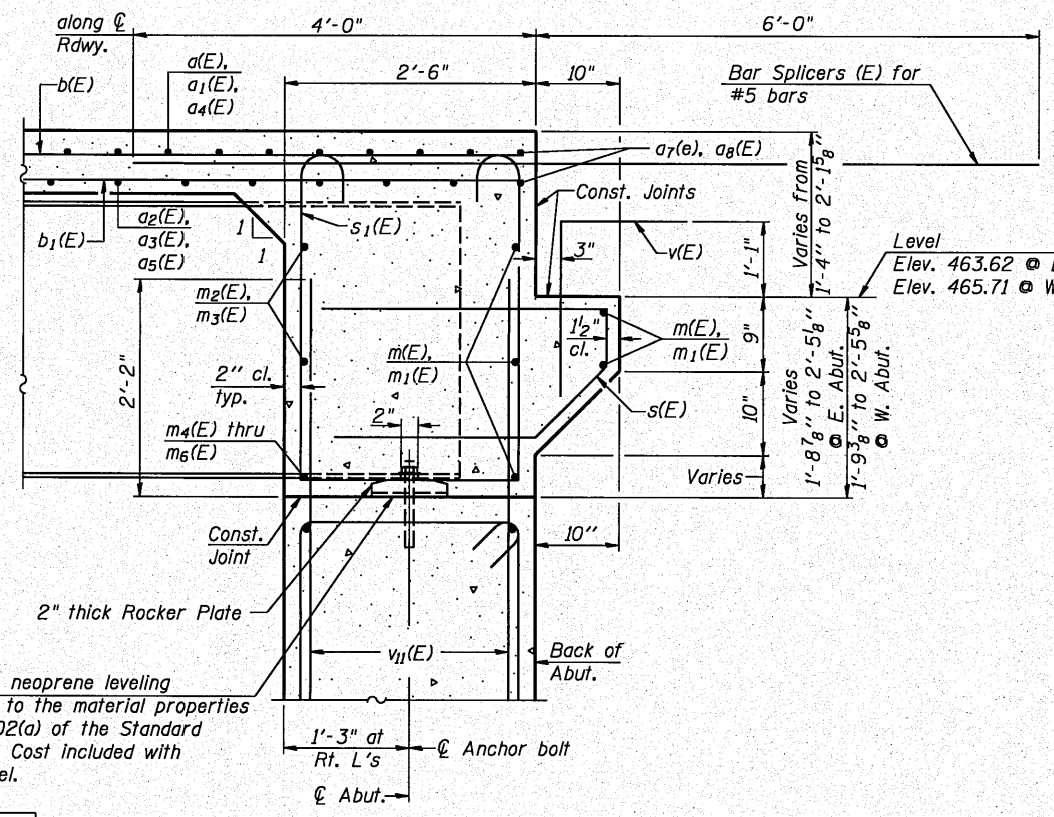
**Cut to fit in Stage I Construction as necessary.

1/8" elastomeric neoprene leveling pad according to the material properties of Article 1052.02(a) of the Standard Specifications

NOTES

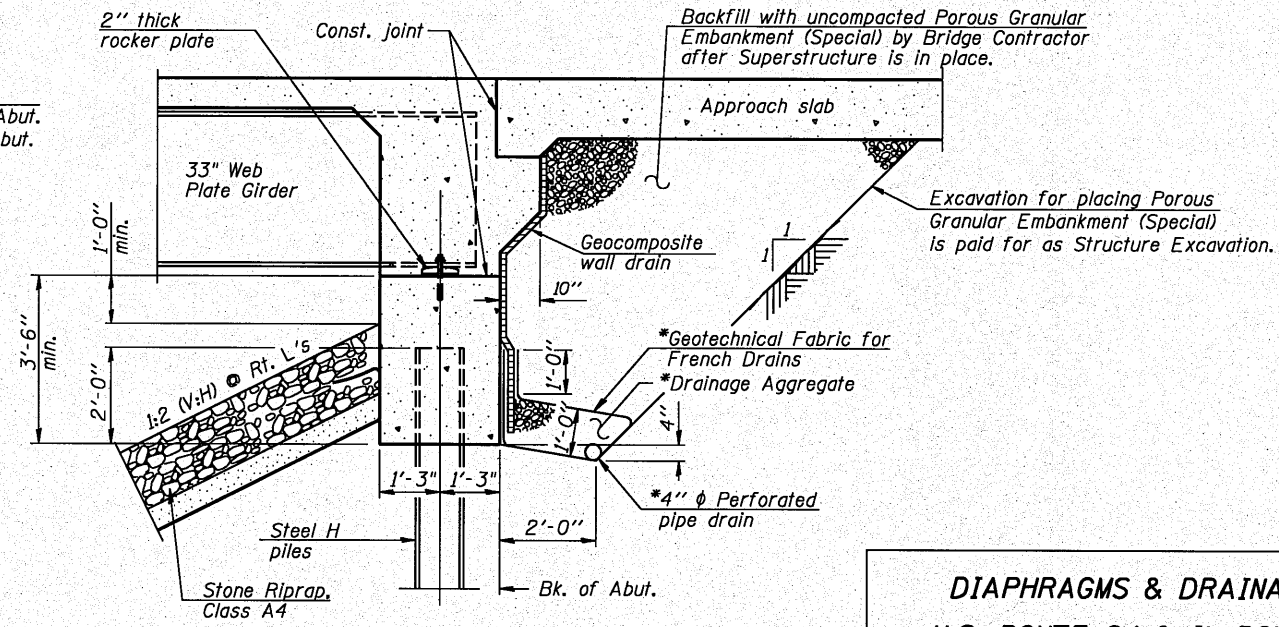
1. Reinforcement bars in diaphragm are billed with superstructure on sheet S16 of 39.
2. Concrete in diaphragm is included with Concrete Superstructure on sheet S16 of 39.
3. For details of bars s(E) & s1(E) see sheet S16 of 39.
4. The s(E) and s1(E) bars shall be placed parallel to the girders. Spacing for these bars shall be at right angles to the beams.
5. All drainage system components shall extend to 2'-0" from the end of each wingwall except an outlet pipe shall extend until intersecting with the side slopes. The pipes shall drain into concrete headwalls. (See Article 601.05 of the Standard Specifications and Highway Standard 601101)
6. West Abutment Diaphragm Elevation is shown. East Abutment is similar opposite hand.
7. Bars indicated thus 20x3-#5 etc. indicates 20 lines of bars with 3 lengths per line.

MIN. BAR LAP
#6 bar = 3'-4"



SECTION A-A

Dimensions at right angles to abutment, except as shown.



SECTION THRU ABUTMENT

(Horiz. dim. @ Rt. L's)

*Included in the cost of Pipe Underdrains for Structures.

DIAPHRAGMS & DRAINAGE DETAILS AT ABUTMENTS					
U.S. ROUTE 24 & IL ROUTE 9 OVER LA MARSH CREEK					
STATION 337+89.89					
STRUCTURE NO. 072-0228					
SHEET NO.	F.A.P. RTE.	SECTION	COUNTY	TOTAL SHEETS	SHEET NO.
S17 OF 39 SHEETS	317	45BR-2	PEORIA	122	65
			CONTRACT NO. 68719		
10-15-10		ILLINOIS FED. AID PROJECT			

GR&E 8501 W. Higgins Road, Suite 280
Chicago, Illinois 60631
(773) 399-0112

h:_ob2010\12102010\1\road\1\doe\1\structure\1\dgn\08_S17_DPHMS_&_DRAINAGE.dgn
 10/18/2010

DESIGNED E.E.J.
CHECKED J.A.Z.
DRAWN E.E.J.
CHECKED J.A.Z.