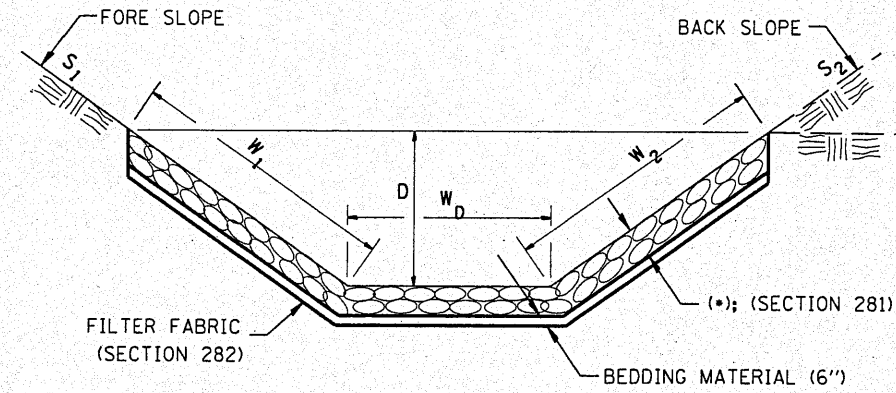


Designer NOTES:

1. Designer to modify this Special Detail Sheet, as needed for inclusion in plans.
2. (\*) Designer to specify pay item including material, quality, and gradation.
3. (\*\*) Designer to specify thickness of bedding material.
4. Include District Special Provision if needed.

**CASE 1  
(DITCH)**



(*)						
LOCATION	$S_1$	$S_2$	WIDTH (1)	LENGTH	RIPRAP	FABRIC
STA TO STA	V:H	V:H	lin ft	lin ft	sq yds	sq yds
150+00 to 150+17 LT	1:3	1:3	14.5	17	11.8	11.8
151+20 to 151+50 LT	1:2	1:3	13	30	6.8	6.8
151+38 to 151+50 RT	1:2.5	1:3	11	12	9.7	9.7
				TOTAL	28	28

(1) WIDTH =  $W_1 + W_2 + W_b$

SEE PLAN VIEW FOR AREAS  
SEE PLAN VIEW FOR AREAS  
SEE PLAN VIEW FOR AREAS