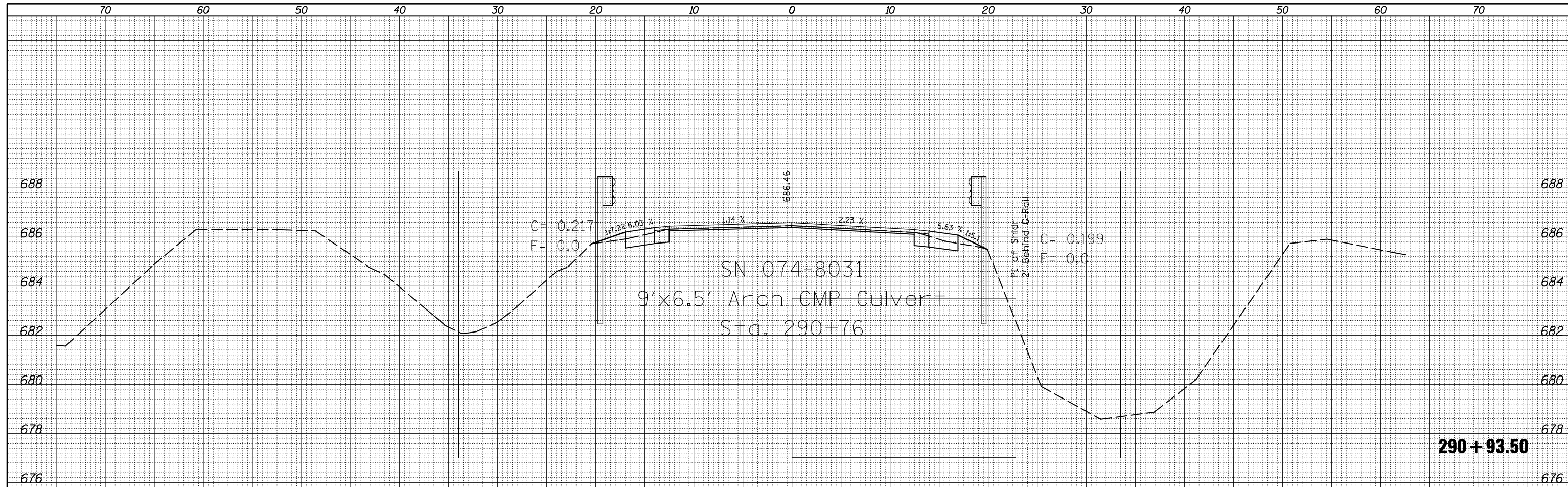
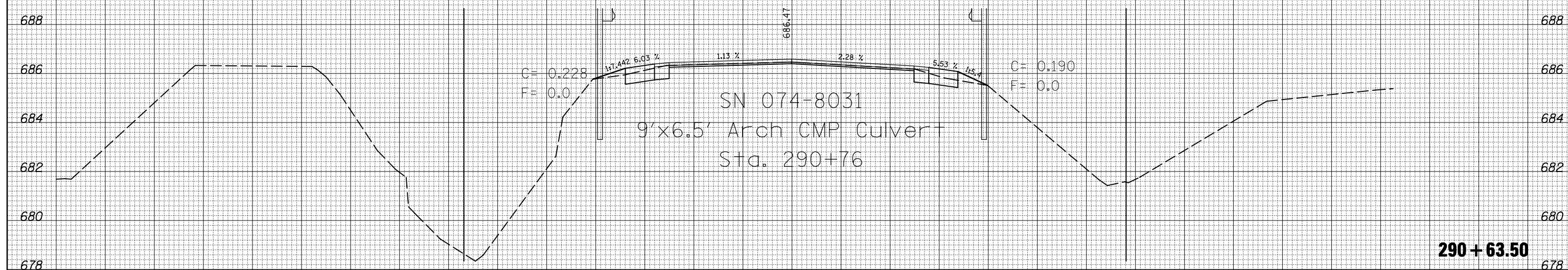


DATE	
BY	
SURVEYED	
PLOTTED	
TEMPLATE	
AREAS	
CHECKED	
FINAL SURVEY	
NOTE BOOK	
NO.	



DATE	
BY	
SURVEYED	
PLOTTED	
TEMPLATE	
AREAS	
CHECKED	
ORIGINAL SURVEY	
NOTE BOOK	
NO.	



FILE NAME =	USER NAME = bucklesjj	DESIGNED -	REVISED -
c:\pwwork\pwwork\bucklesjj\d0155680\0570273-sh	X5-ILL105.dgn	DRAWN -	REVISED -
	PLOT SCALE = 10.0000' / IN.	CHECKED -	REVISED -
	PLOT DATE = 10/15/2010	DATE -	REVISED -

**STATE OF ILLINOIS
DEPARTMENT OF TRANSPORTATION**

SCALE:		SHEET NO.	OF	SHEETS	STA. 290+63.50	TO STA. 290+93.50
--------	--	-----------	----	--------	----------------	-------------------

CROSS SECTIONS

F.A.P. RTE.	SECTION	COUNTY	TOTAL SHEETS	SHEET NO.
741	(75,8,28)RS-3	PIATT	202	170
CONTRACT NO. 70273			ILLINOIS FED. AID PROJECT	