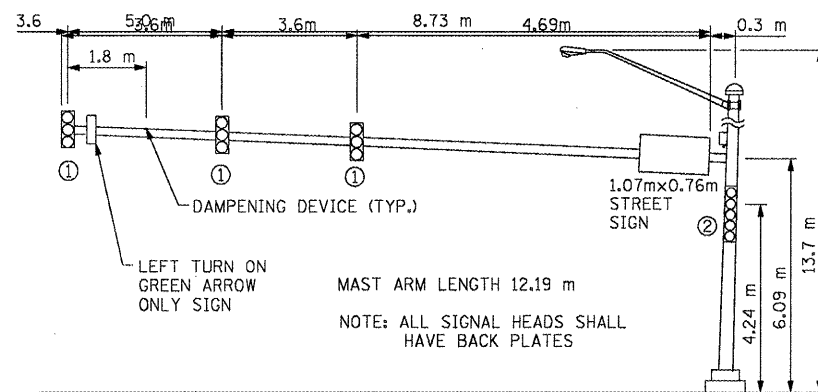
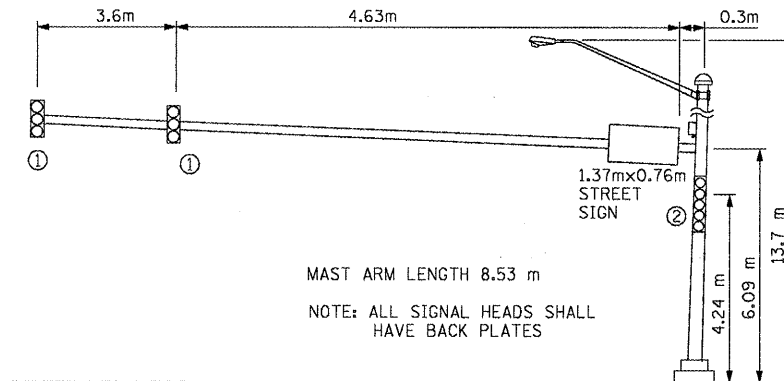


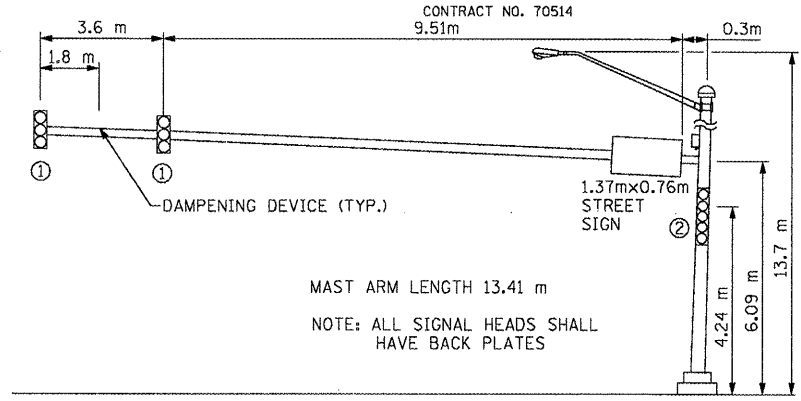
F.A.P. RTE.	SECTION	COUNTY	TOTAL SHEETS	SHEET NO.
704	(1)N & TS-1	McLean	497	266
STA.		TO STA.		
FED. ROAD DIST. NO.		ILLINOIS	FED. AID PROJECT	



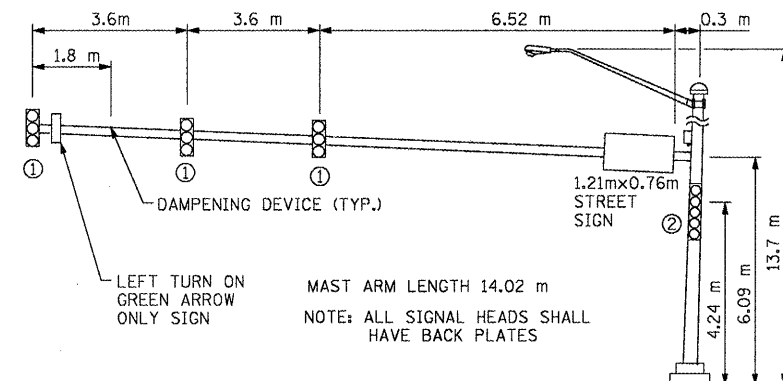
VETERANS PARKWAY AND MORRIS AVENUE (NORTHBOUND)



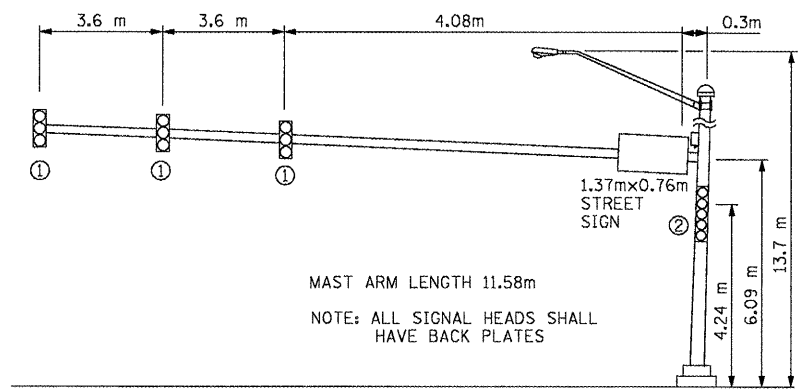
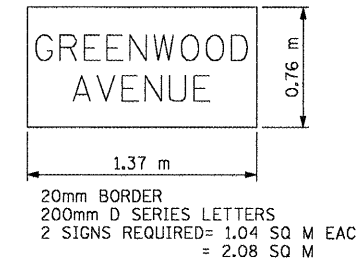
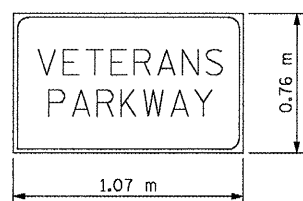
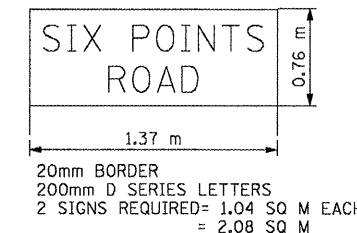
VETERANS PARKWAY AND GREENWOOD AVENUE (EASTBOUND)



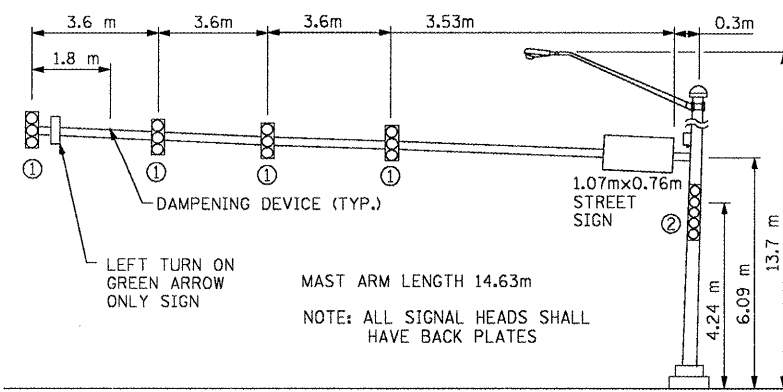
SIX POINTS ROAD MORRIS AVENUE (NORTHBOUND)



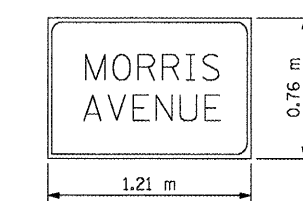
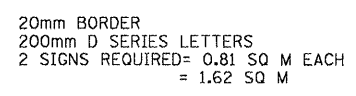
VETERANS PARKWAY AND MORRIS AVENUE (EASTBOUND)



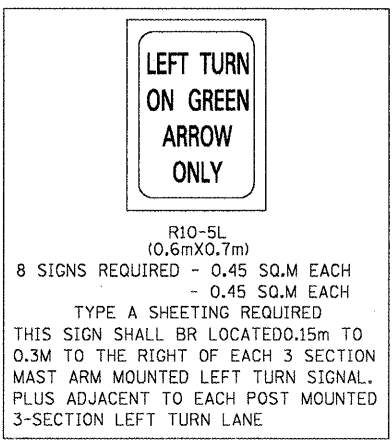
SIX POINTS ROAD MORRIS AVENUE (WESTBOUND)



VETERANS PARKWAY AND GREENWOOD AVENUE (NORTHBOUND)



VETERANS PARWAY/MORRIS	MAST ARM LENGTH	FOUNDATION DIAMETER	FOUNDATION DEPTH	MIN. DEPTH INTO BED ROCK
N.E.	12.19m	750mm	4.6m	0.0
N.W.	15.24m	750mm	5.2m	0.0
S.E.	14.02m	750mm	4.6m	0.0
S.W.	15.24m	750mm	5.2m	0.0
VETERANS PARWAY/GREENWOOD	MAST ARM LENGTH	FOUNDATION DIAMETER	FOUNDATION DEPTH	MIN. DEPTH INTO BED ROCK
N.E.	14.63m	750mm	4.6m	0.0
N.W.	14.63m	750mm	4.6m	0.0
S.E.	8.53m	750mm	4.6m	0.0
SIX POINTS ROAD/MORRIS	MAST ARM LENGTH	FOUNDATION DIAMETER	FOUNDATION DEPTH	MIN. DEPTH INTO BED ROCK
N.E.	13.41m	750mm	4.6m	0.0
N.W.	11.58m	750mm	4.6m	0.0
S.E.	6.09m	750mm	4.6m	0.0
S.W.	12.8m	750mm	4.6m	0.0



REVISIONS	
NAME	DATE

ILLINOIS DEPARTMENT OF TRANSPORTATION  
 VETERANS PARKWAY & MORRIS AVENUE  
 VETERANS PARKWAY & GREENWOOD AVENUE  
 SIX POINTS ROAD & MORRIS AVENUE  
 MAST ARM DETAILS

SCALE: NONE  
 DATE: MARCH, 2009

DRAWN BY: RV  
 DESIGNED BY: AS  
 CHECKED BY: MSA

AMES Engineering, Inc.  
 Consulting Engineers  
 1341 Warren Avenue  
 Downers Grove, IL 60515

\$FILES\$ 10/14/2010 \$TIME\$

TS-17