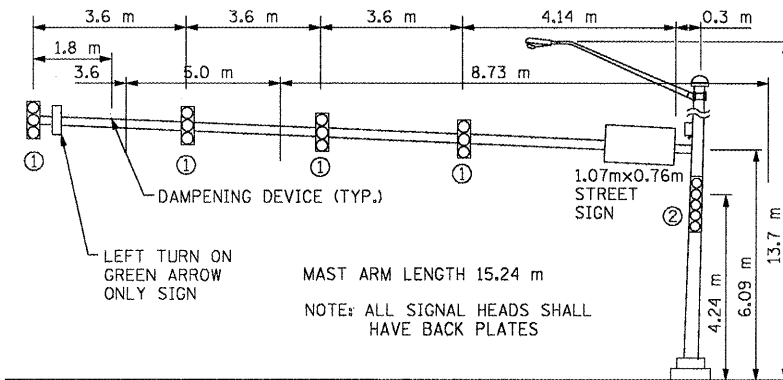
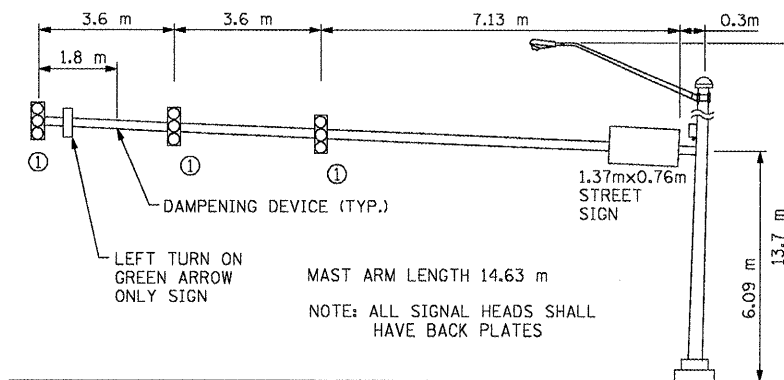


F.A.P. RTE.	SECTION	COUNTY	TOTAL SHEETS	SHEET NO.
704	(DN & TS-1	McLean	497	267
STA.	TO STA.			
FED. ROAD DIST. NO.	ILLINOIS	FED. AID PROJECT		

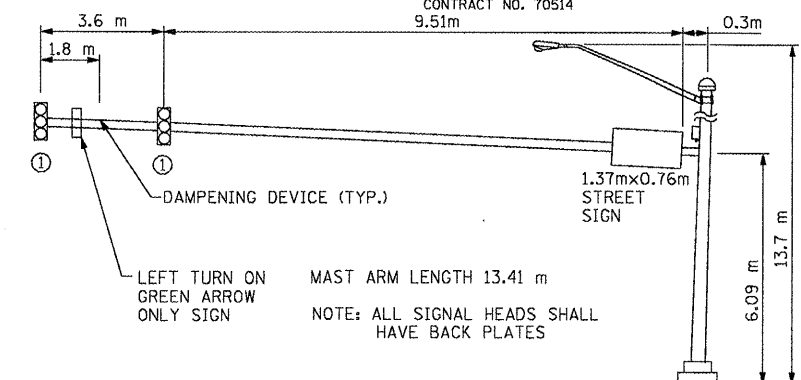
CONTRACT NO. 70514
9.51m



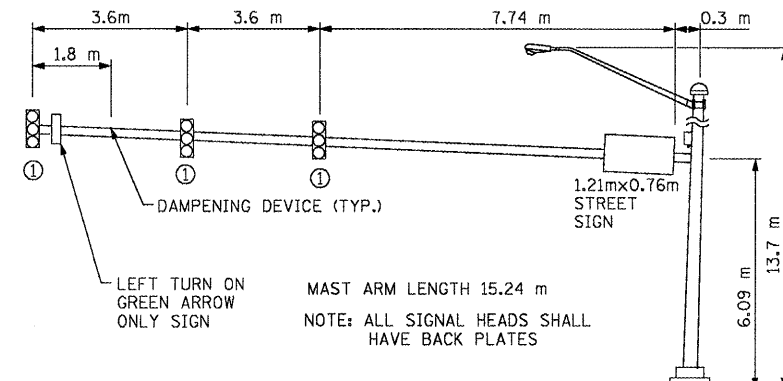
VETERANS PARKWAY AND MORRIS AVENUE (SOUTHBOUND)



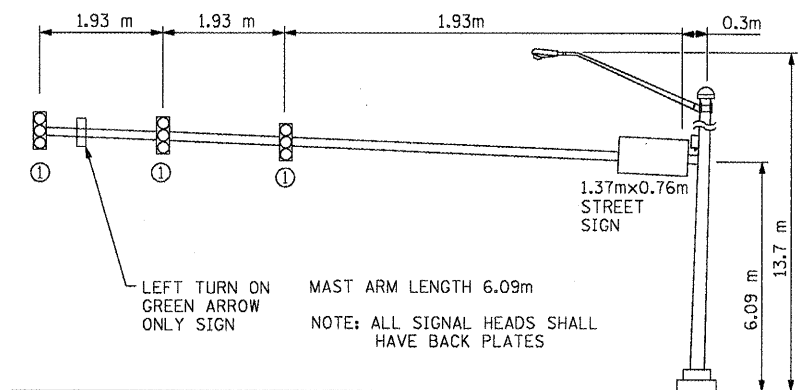
VETERANS PARKWAY AND GREENWOOD AVENUE (WESTBOUND)



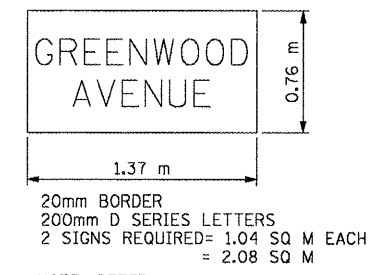
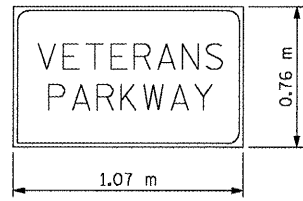
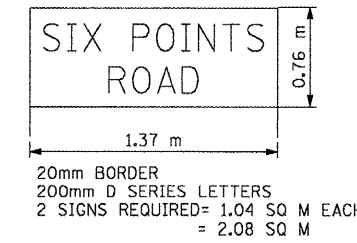
SIX POINTS ROAD MORRIS AVENUE (SOUTHBOUND)



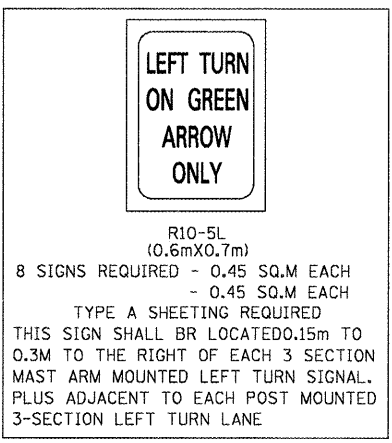
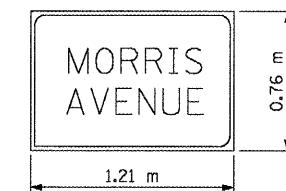
VETERANS PARKWAY AND MORRIS AVENUE (WESTBOUND)



SIX POINTS ROAD MORRIS AVENUE (EASTBOUND)



NOTE: REFER TO I.D.O.T. STANDARD 720016



VETERANS PARWAY/MORRIS	MAST ARM LENGTH	FOUNDATION DIAMETER	FOUNDATION DEPTH	MIN. DEPTH INTO BED ROCK
N.E.	12.19m	750mm	4.6m	0.0
N.W.	15.24m	750mm	5.2m	0.0
S.E.	14.02m	750mm	4.6m	0.0
S.W.	15.24m	750mm	5.2m	0.0
VETERANS PARWAY/GREENWOOD				
N.E.	14.63m	750mm	4.6m	0.0
N.W.	14.63m	750mm	4.6m	0.0
S.E.	8.53m	750mm	4.6m	0.0
SIX POINTS ROAD/MORRIS				
N.E.	13.41m	750mm	4.6m	0.0
N.W.	11.58m	750mm	4.6m	0.0
S.E.	6.09m	750mm	4.6m	0.0
S.W.	12.8m	750mm	4.6m	0.0

FILE# 10/14/2010 \$TIME\$

AMES Engineering, Inc.
Consulting Engineers
1341 Warren Avenue
Downers Grove, IL 60515

REVISIONS	
NAME	DATE

ILLINOIS DEPARTMENT OF TRANSPORTATION
VETERANS PARKWAY & MORRIS AVENUE
VETERANS PARKWAY & GREENWOOD AVENUE
SIX POINTS ROAD & MORRIS AVENUE
MAST ARM DETAILS

SCALE: NONE
DATE: MARCH, 2009

DRAWN BY: RV
DESIGNED BY: BS
CHECKED BY: MSA