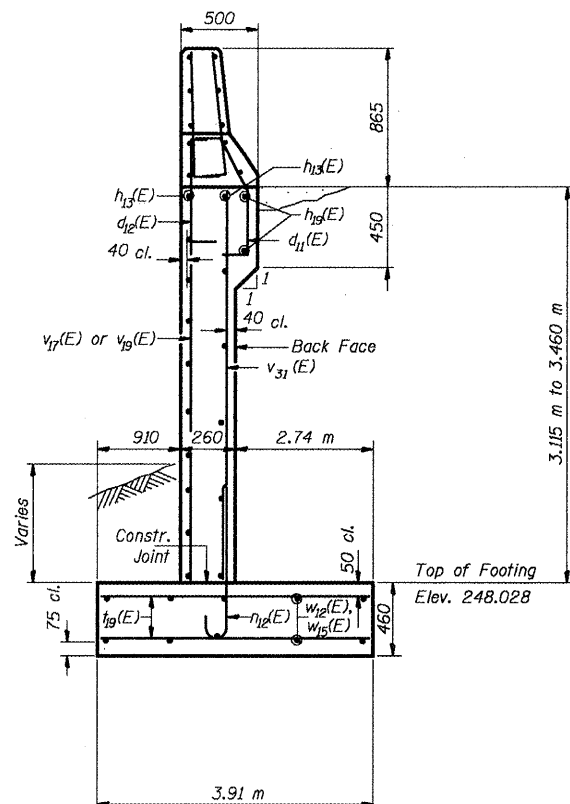
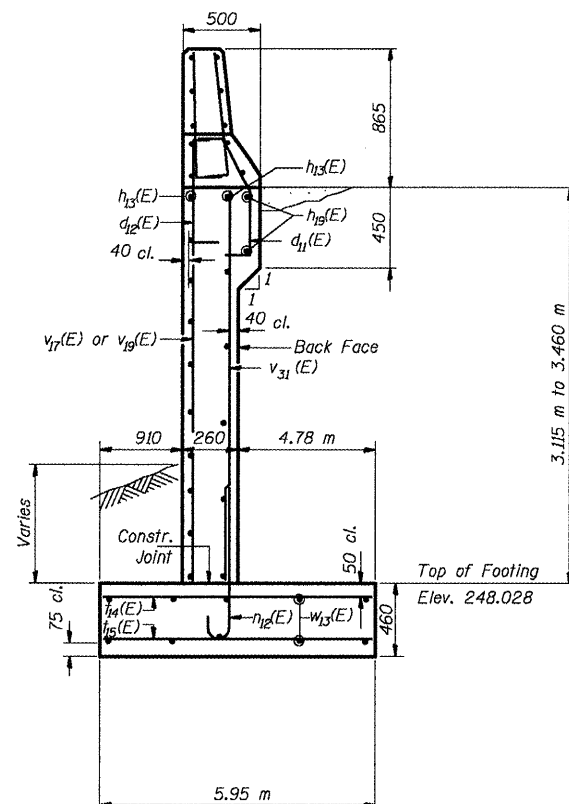


STATE OF ILLINOIS  
DEPARTMENT OF TRANSPORTATION

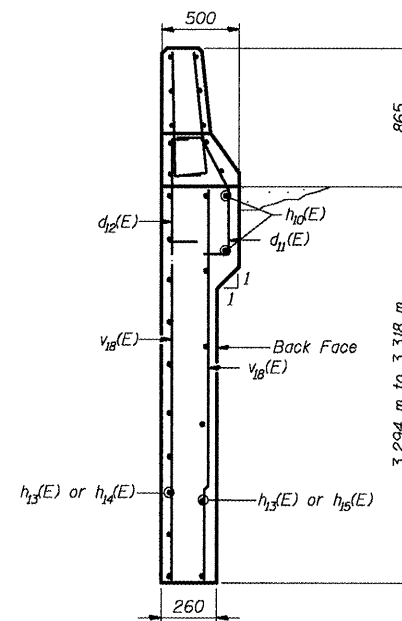
DESIGN NO.	DISTRICT	COUNTY	SECTION	SHEET NO.
P.A.P. 704	01	MCLEAN	497	276
SHEET NO. 7		11 SHEETS		
CONTRACT NO. 70514				



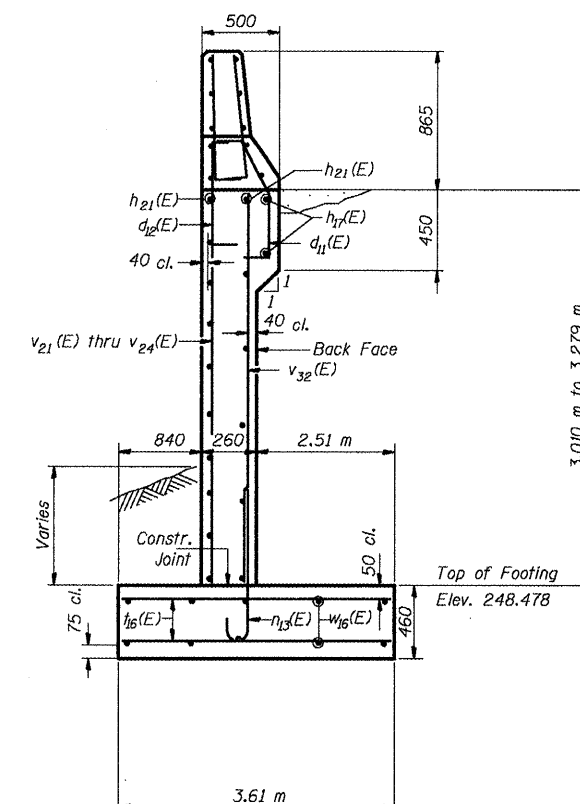
STATION 0+596.440 - 0+600.395  
STATION 0+609.400 - 0+614.000



STATION 0+600.395 - 0+602.834  
STATION 0+606.961 - 0+609.400



STATION 0+602.834 - 0+606.961



STATION 0+614.000 - 0+628.000



DESIGNED	JDA
CHECKED	WCT
DRAWN	MAC
CHECKED	WCT

DATE: 06-25-10

SECTIONS  
RETAINING WALL ALONG SIX POINTS ROAD  
F.A.P. ROUTE 704 SECTION (1) N&TS-1  
MCLEAN COUNTY  
STATION 0+545.000 TO 0+635.000  
STRUCTURE NO. 057-W001