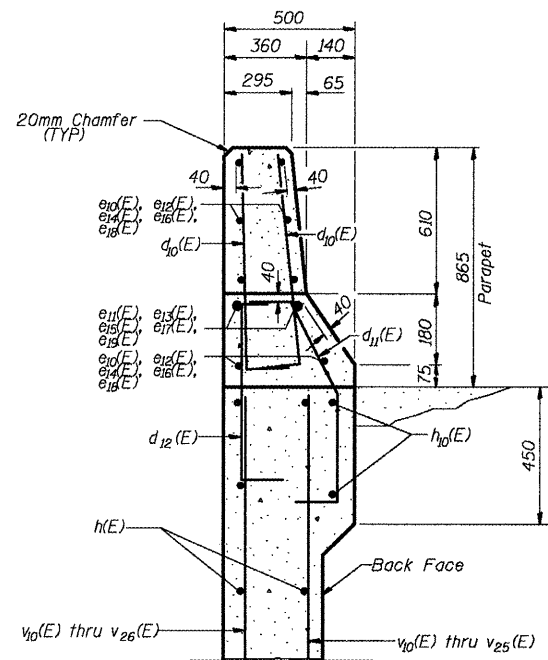
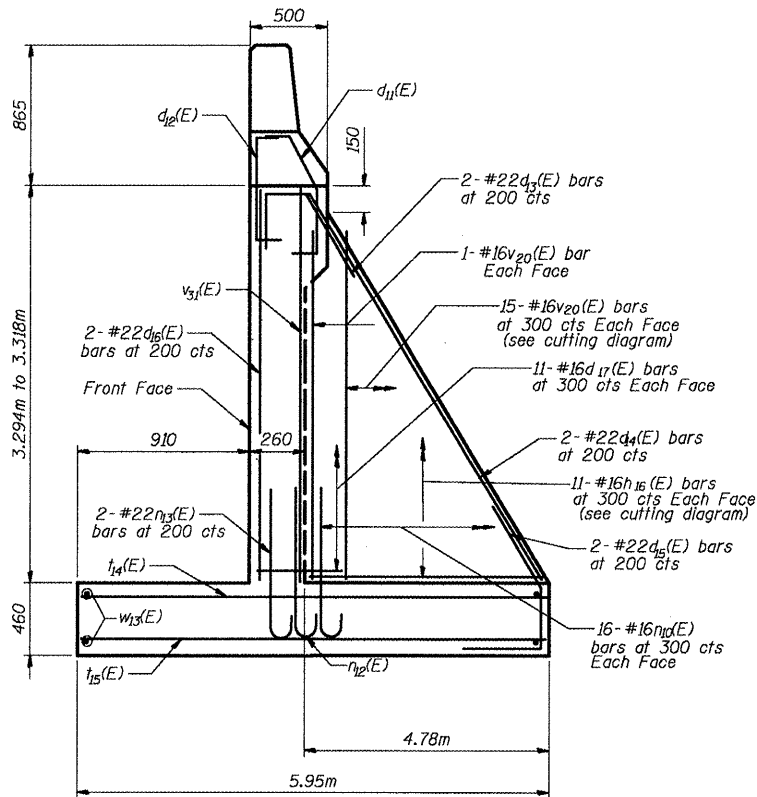


STATE OF ILLINOIS
DEPARTMENT OF TRANSPORTATION

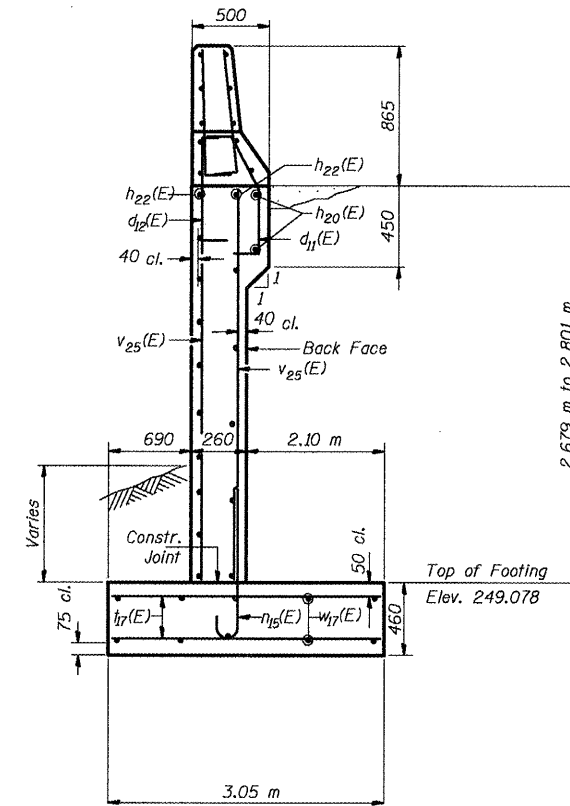
| | | | | | |
|--------------------|---------|----------|------|------------|-------------|
| DESIGN NO. | SECTION | QUALITY | DATE | BY | SHEET NO. 8 |
| P.A.P. 704 | CDI | MGLEAN | 497 | 277 | 11 SHEETS |
| DESIGNED BY | | DRAWN BY | | CHECKED BY | |
| MGLEAN | | MAC | | WCT | |
| CONTRACT NO. 70514 | | | | | |



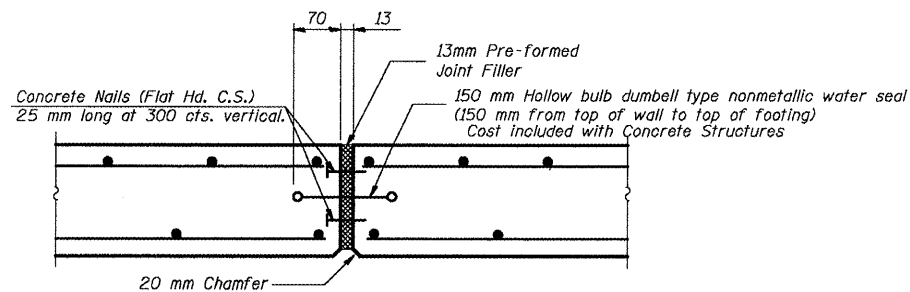
RAIL DETAIL



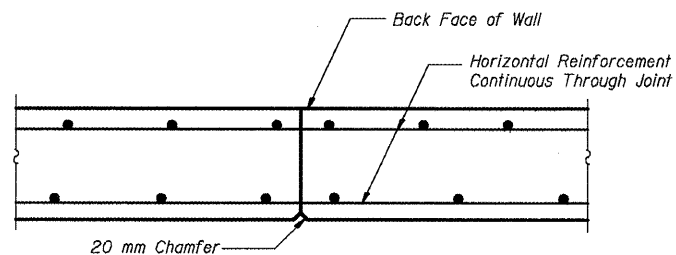
Section A



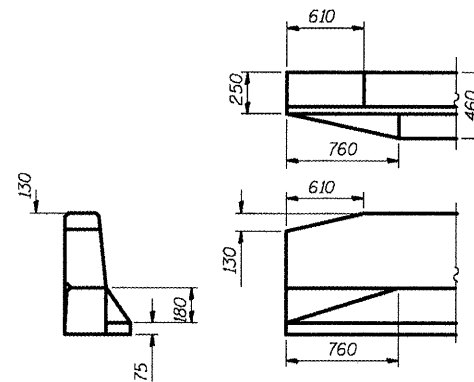
STATION 0+628.000 - 0+635.000



EXPANSION JOINT (TYPICAL)



CONSTRUCTION JOINT (TYPICAL)



PARAPET RAIL END SECTION DETAILS

SHIVE HATTERY

| | |
|----------|-----|
| DESIGNED | JDA |
| CHECKED | WCT |
| DRAWN | MAC |
| CHECKED | WCT |

DATE: 06-25-10

DETAILS AND SECTIONS
RETAINING WALL ALONG SIX POINTS ROAD
F.A.P. ROUTE 704 SECTION (D) N&TS-1
MGLEAN COUNTY
STATION 0+545.000 TO 0+635.000
STRUCTURE NO. 057-W001