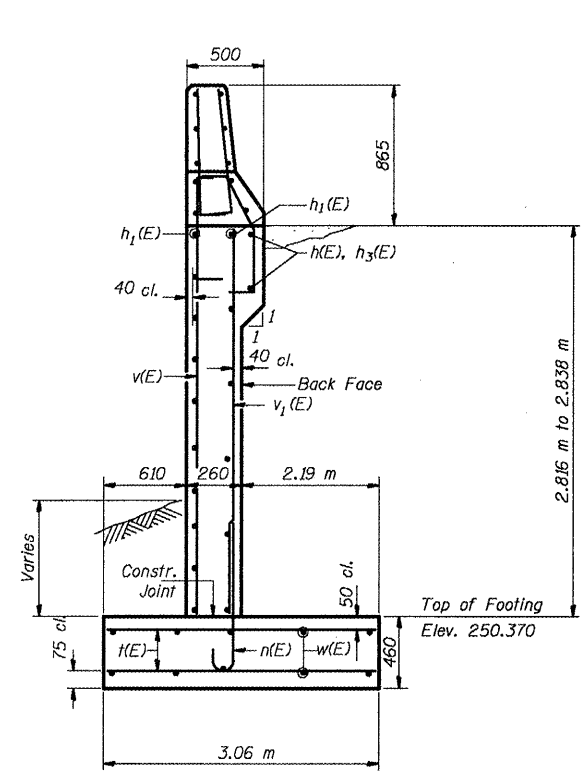
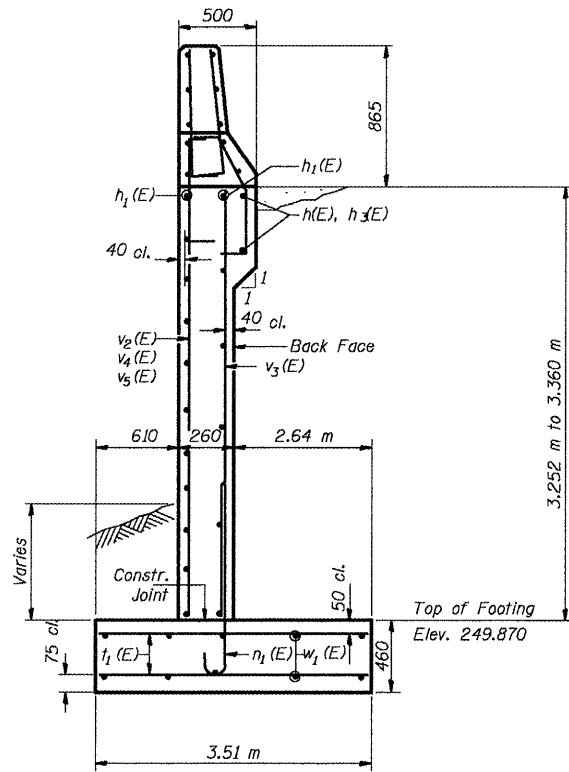


STATE OF ILLINOIS  
DEPARTMENT OF TRANSPORTATION

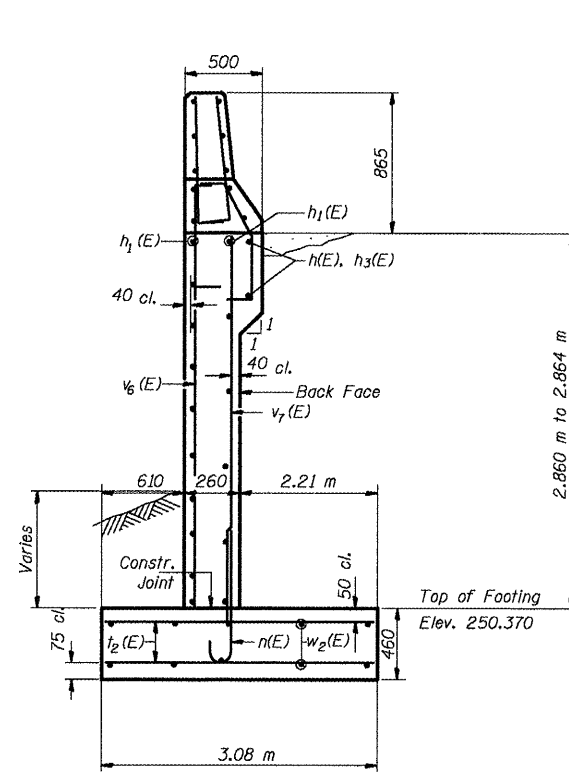
STATE NO.	SECTION	COUNTY	JOB NO.	"E"	SHEET NO. 4
PLAN NO. 704	02	McLEAN	497	284	7 SHEETS
CONTRACT NO. 70514					



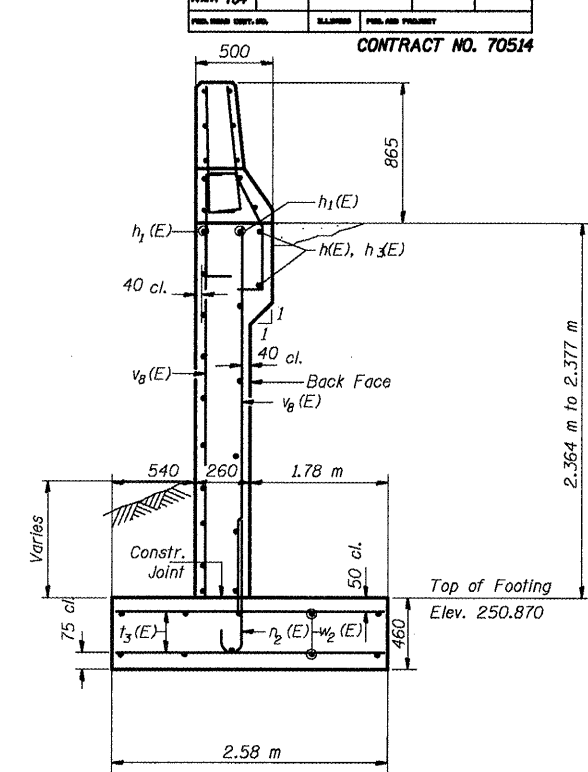
STATION 2+785.000 - 2+801.675



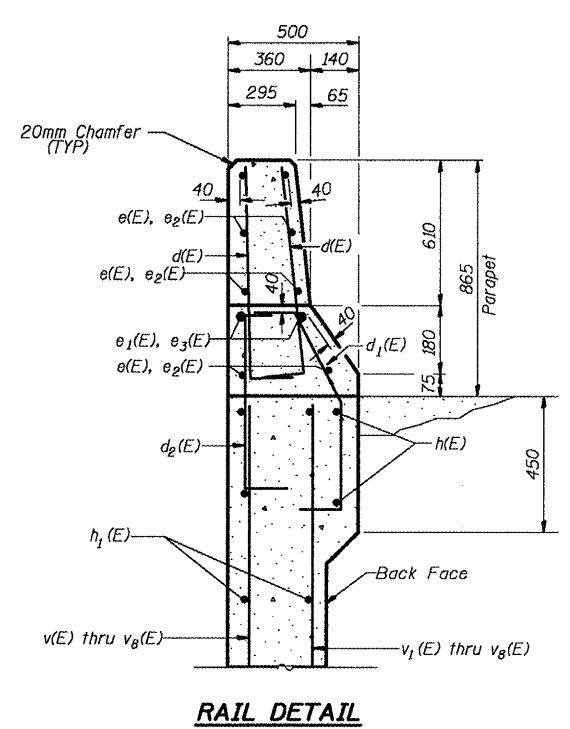
STATION 2+801.675 - 2+860.173



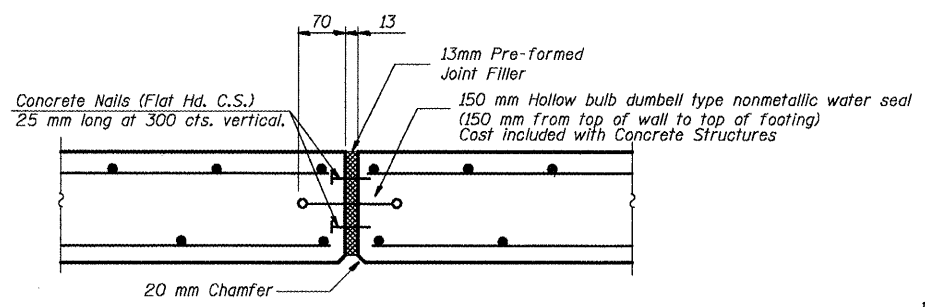
STATION 2+860.173 - 2+868.591



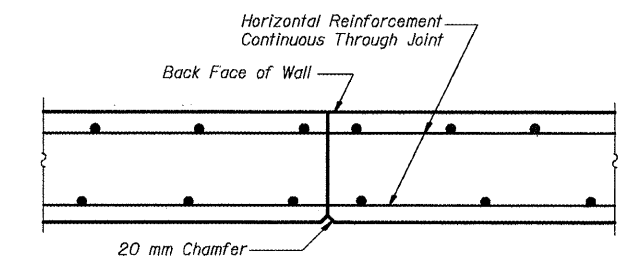
STATION 2+868.591 - 2+876.925



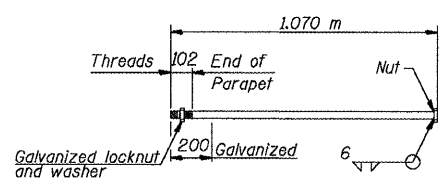
RAIL DETAIL



EXPANSION JOINT (TYPICAL)



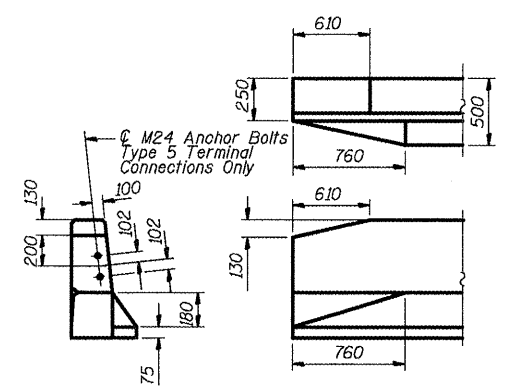
CONSTRUCTION JOINT (TYPICAL)



M24 ANCHOR BOLT

(Cost Included with Concrete Structures)

Type 5 terminal connections only. West end of retaining wall. see Roadway Plans.



PARAPET RAIL END SECTION DETAILS

SECTIONS AND DETAILS  
RETAINING WALL ALONG  
W.B.L. VETERANS PARKWAY  
F.A.P. ROUTE 704 SECTION (D) N&TS-1  
McLEAN COUNTY  
STATION 2+785.000 TO 2+877.000  
STRUCTURE NO. 057-W002



DESIGNED	Jda
CHECKED	WCT
DRAWN	mac
CHECKED	WCT

DATE: 06-25-10