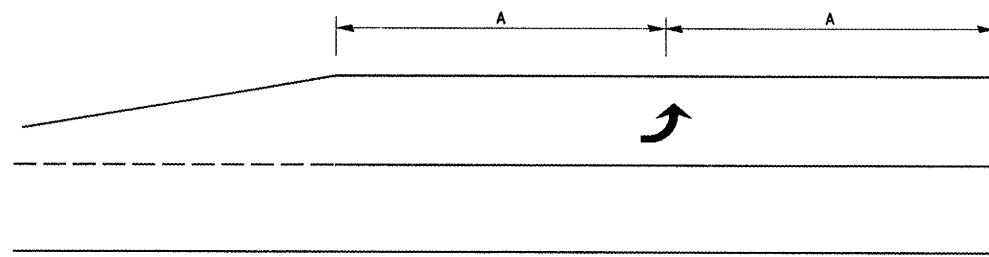
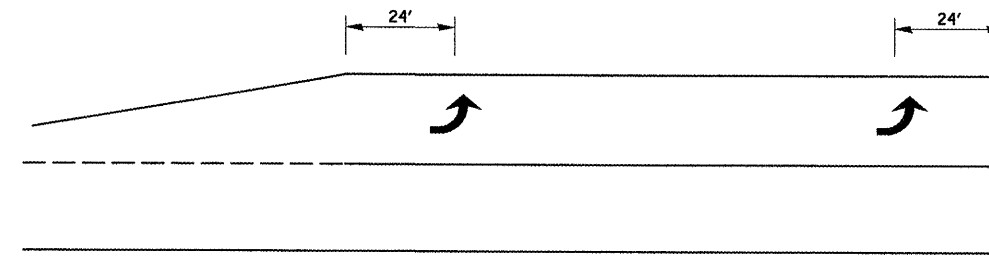


F.A.P. RTE.	SECTION	COUNTY	TOTAL SHEETS	SHEET NO.
704	(1)N&TS-1	McLEAN	497	3061
STA. N/A		TO STA. N/A		
FED. ROAD DIST. NO.		ILLINOIS FED. AID PROJECT		
CONTRACT NO. 70514				

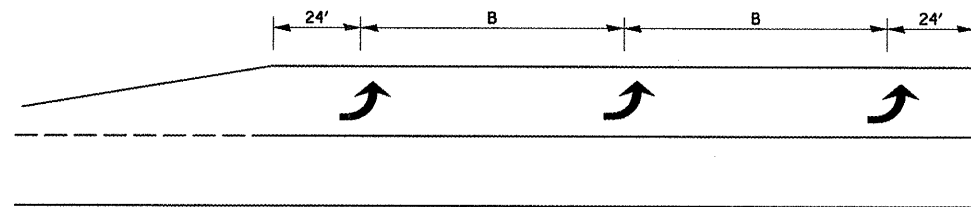


99' AND UNDER

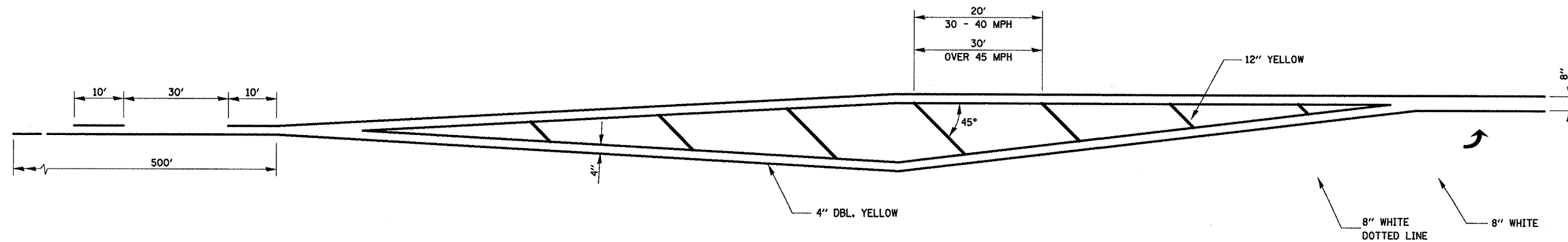


100' TO 149'

**TYPICAL PLACEMENT OF ARROWS
IN TURN LANES**



150' AND LONGER



Note: All dimensions are in INCHES (millimeters) unless otherwise shown.

REVISIONS	
NAME	DATE

ILLINOIS DEPARTMENT OF TRANSPORTATION

DISTRICT DETAILS

DATE 08-13-10

DRAWN BY CADD
CHECKED BY KJT