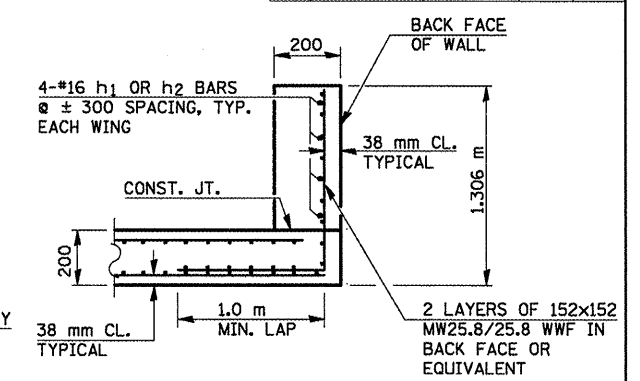
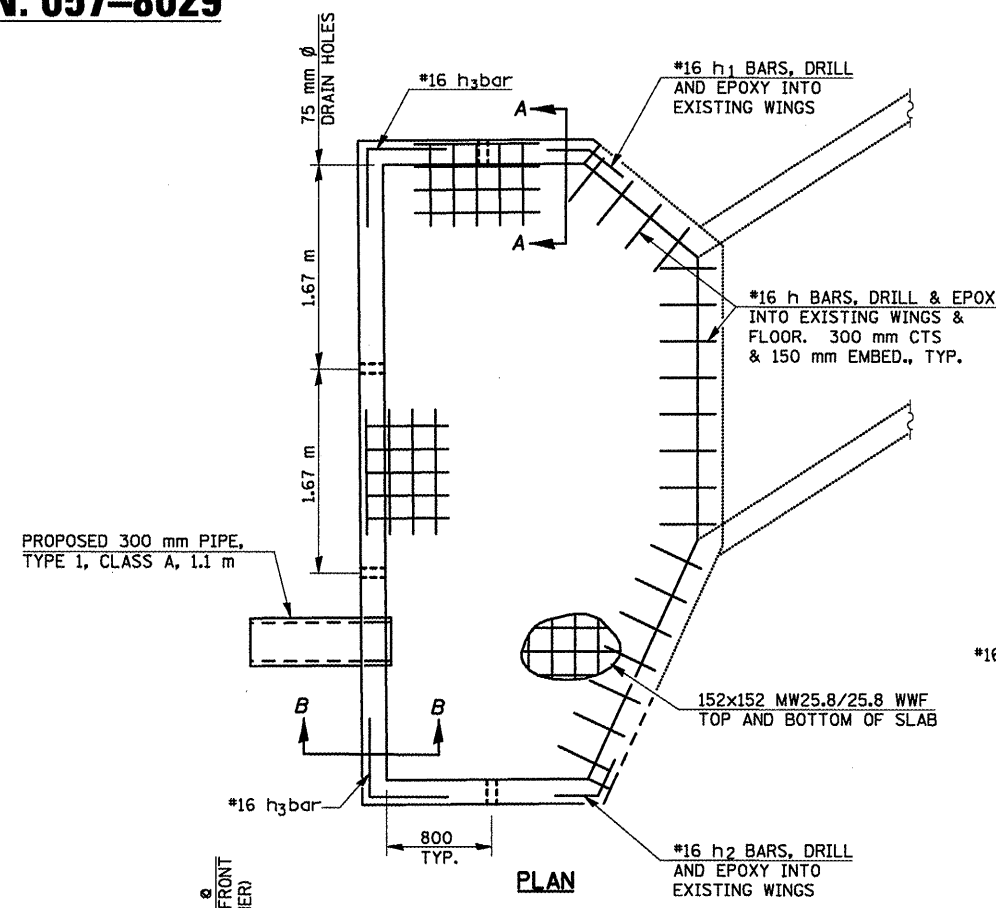
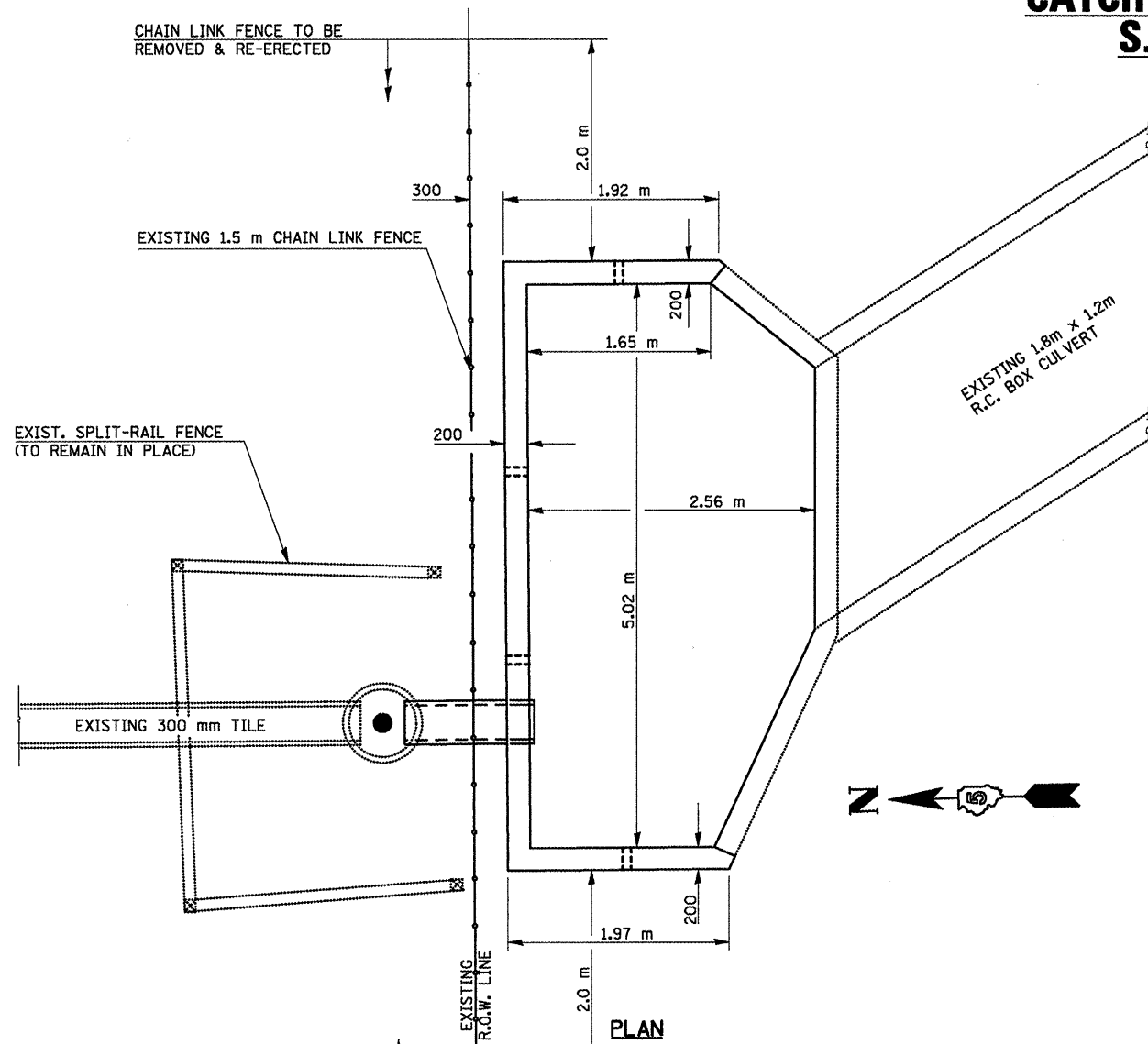


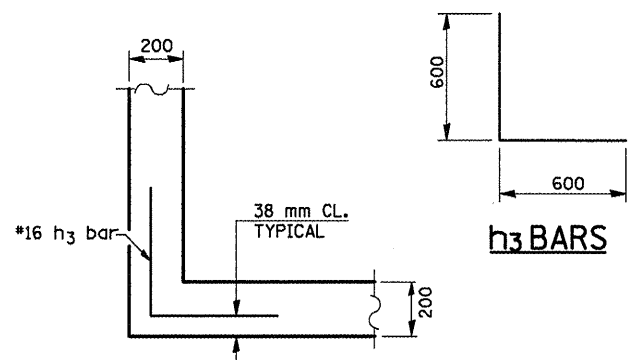
F.A.P. RTE.	SECTION	COUNTY	TOTAL SHEETS	SHEET NO.
704	QJN & TS-1	McLEAN	497	308

CATCH BASIN DETAILS

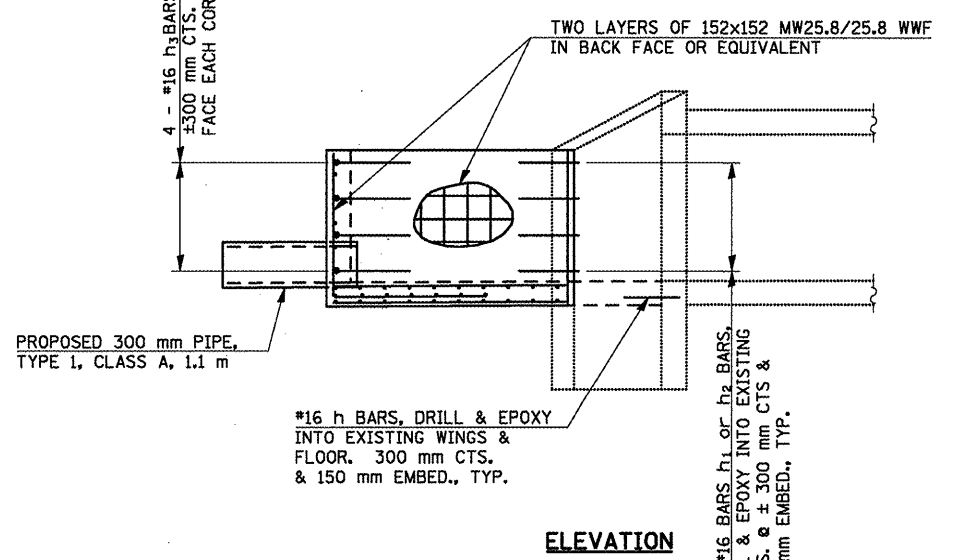
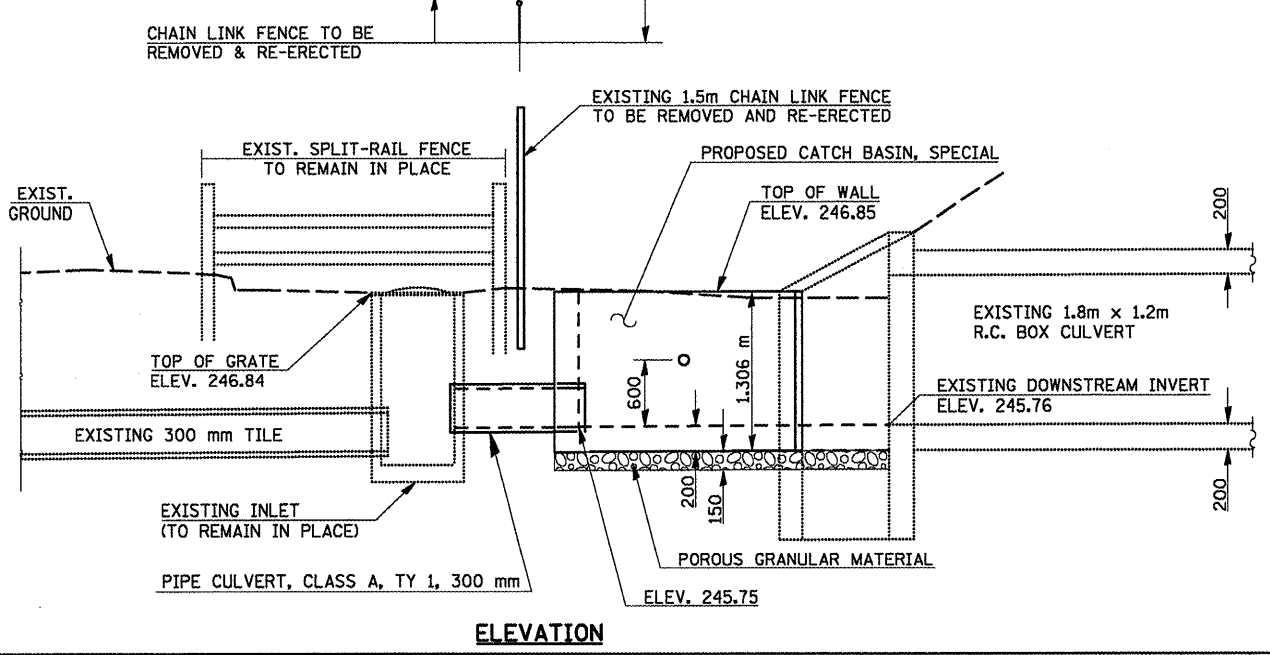
S.N. 057-8029



SECTION A-A
CATCH BASIN WALLS



SECTION B-B
CORNER OF CATCH BASIN WALLS



ELEVATION

BILL OF MATERIAL

For Information Only

Bar	No.	Size	Length	Shape
h	19	#16	0.600 m	—
h ₁	4	#16	0.600 m	—
h ₂	4	#16	0.600 m	—
h ₃	8	#16	1.200 m	—

Item	Unit	Total
Concrete Box Culverts	CU. M.	4.7
Reinforcement Bars	KG	33.0
Welded Wire Fabric	SQ. M.	74.9
Pipe Culvert, Type I, Class A, 300 mm	METER	1.1
Structure Excavation	CU. M.	40.0
Porous Granular Material	CU. M.	2.7
Chain Link Fence Rem. & Re-erected	METER	9.5
*Area to be Seeded	SQ. M.	15.0

*AREA TO BE PREPARED USING SEEDING CLASS 2A & MULCH METHOD 2 IN ACCORDANCE WITH SECTIONS 250 & 251 OF THE STANDARD SPECIFICATIONS.

NOTES

COST OF EXCAVATION, BACK FILL, CHAIN LINK FENCE REMOVAL AND REPLACEMENT, 300 mm CLASS A, TYPE I PIPE CULVERT, COLLARS, CONCRETE, REINFORCEMENT, FINAL GRADING AND SEEDING NECESSARY TO COMPLETE THE WORK DETAILED ON THIS SHEET WILL BE PAID FOR AS CATCH BASIN, SPECIAL.

THE CONTRACTOR SHALL CLEAN ALL SEDIMENT OUT OF THE EXISTING BOX CULVERT PRIOR TO CONSTRUCTING THE PROPOSED CATCH BASIN. COST INCLUDED WITH CATCH BASIN, SPECIAL.

CARE SHALL BE TAKEN TO MINIMIZE THE IMPACT OF CONSTRUCTION ON THE ADJACENT GOLF COURSE. IN ADDITION, THE CONTRACTOR SHALL PROVIDE INLET AND PIPE PROTECTION AT THE EXISTING INLET DURING TIMES OF CONSTRUCTION, TO BE PAID PER EACH FOR INLET AND PIPE PROTECTION.

ALL MEASUREMENTS ARE IN MILLIMETERS UNLESS OTHERWISE NOTED.

ILLINOIS DEPARTMENT OF TRANSPORTATION
CATCH BASIN DETAILS
S.N. 057-8029

SIX POINTS ROAD
STATION 0+602.128, 10.34 m LT.
SCALE: NONE
DATE: 08-06-10
DRAWN BY: GMS
CHECKED BY:

PLOT DATE: 8/10/2010
 FILE NAME: c:\work\projects\70514\0578029\Catch Basin.dgn
 PLOT SCALE: 5:1/25' = 1" = 1'
 USER NAME: craig