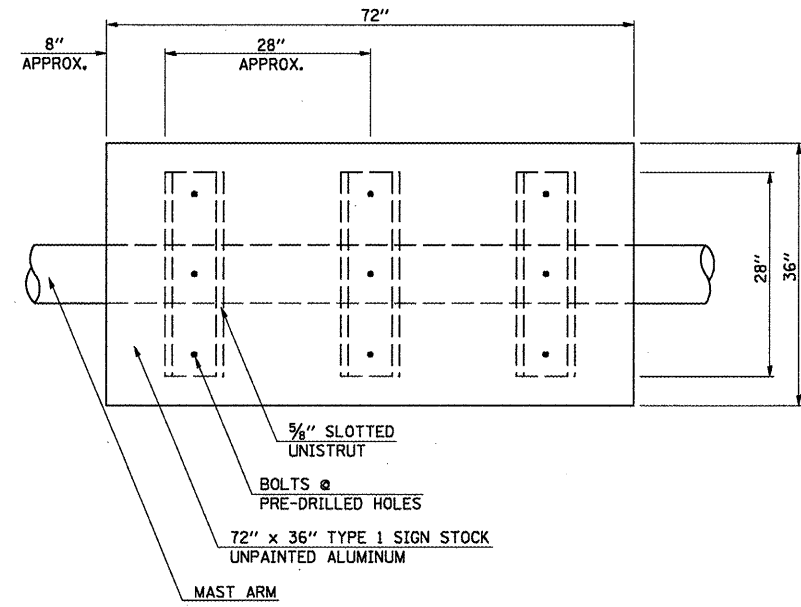
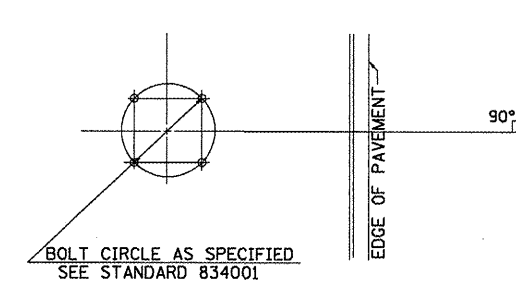


F.A.P. RTE.	SECTION	COUNTY	TOTAL SHEETS	SHEET NO.
704	(DN & TS-1	McLEAN	497	311

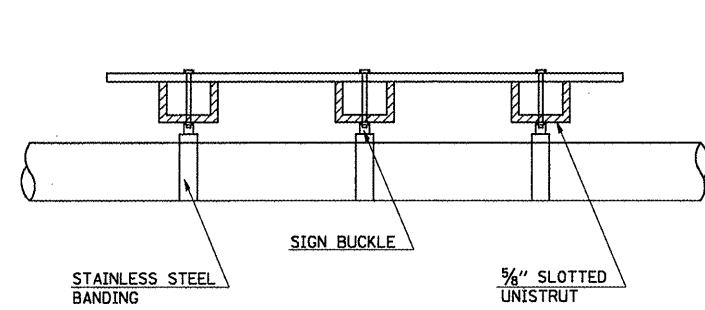
MAST ARM DAMPENING DEVICE MOUNTING DETAIL



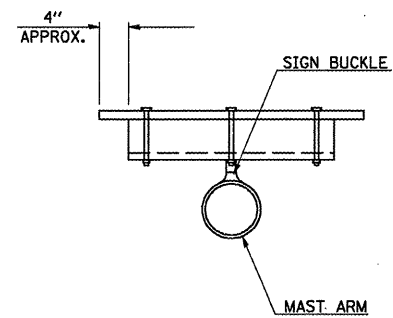
PLAN VIEW



**DETAIL OF MAST ARM FOUNDATION
BOLT PATTERN**

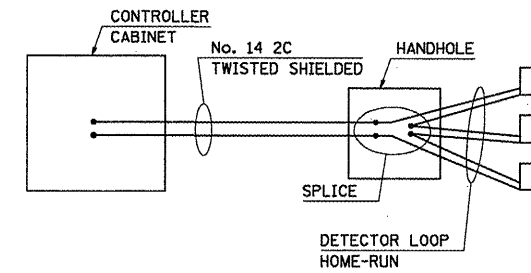


ELEVATION



CROSS SECTION

**DETAIL OF DETECTOR LOOP WIRING
WIRED IN SERIES WITH SINGLE PAIR CABLE**



NOTE: PAINT ENDS OF UNISTRUT WITH
SPRAY ON GALVANIZED PAINT