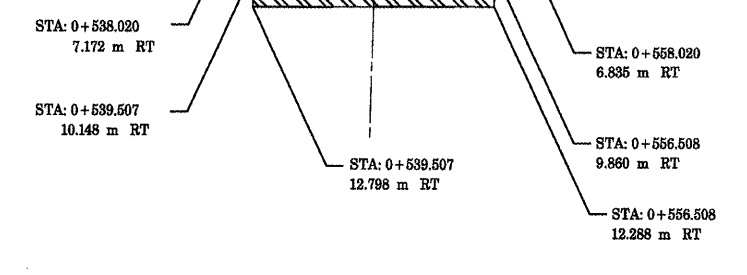
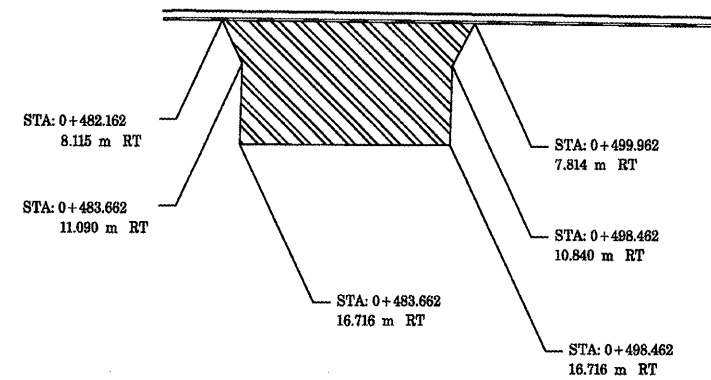
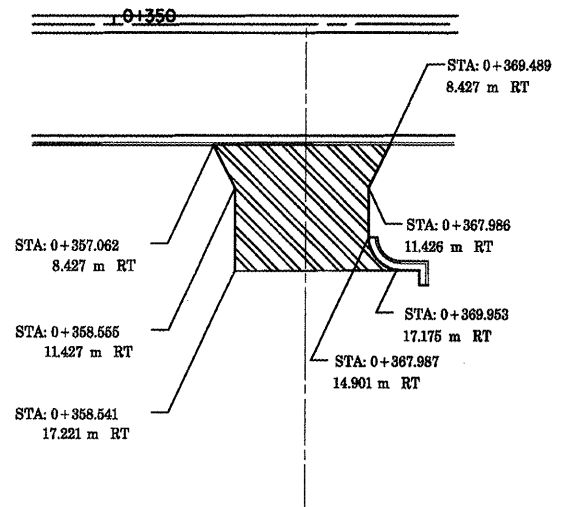
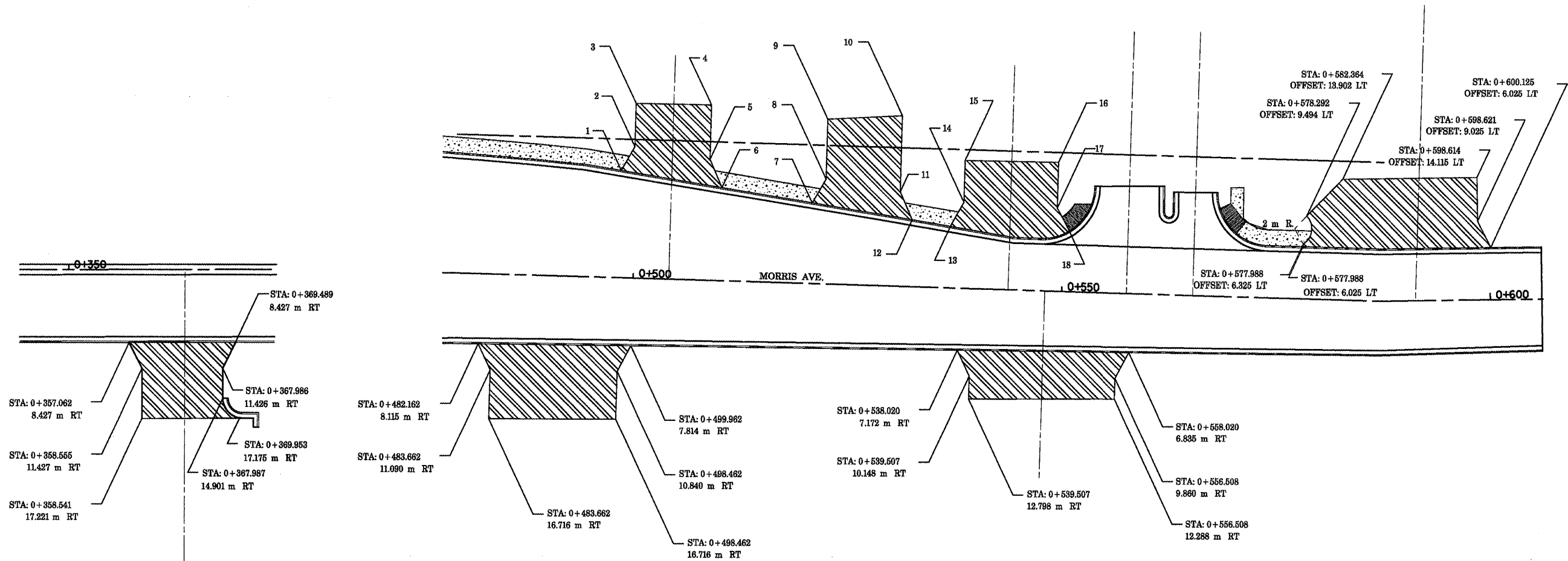
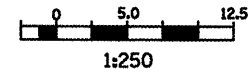


F.A.P. RTE.	SECTION	COUNTY	TOTAL SHEETS	SHEET NO.
704	11N & TS-1	McLEAN	497	316
STA. 0+350.000		TO STA. 0+600.000		
FED. ROAD DIST. NO.		ILLINOIS FED. AID PROJECT		

CONTRACT NO. 70514

POINT	STATION	OFFSET
1	0+498.240	12.334
2	0+499.740	15.157
3	0+499.740	20.154
4	0+508.540	20.218
5	0+508.540	13.948
6	0+510.040	10.714
7	0+520.615	9.262
8	0+522.115	12.085
9	0+522.115	19.031
10	0+530.815	19.689
11	0+530.815	10.890
12	0+532.315	7.656
13	0+536.779	7.043
14	0+538.279	9.865
15	0+538.279	14.710
16	0+549.179	14.820
17	0+549.179	9.550
18	0+550.679	6.946



REVISIONS	
NAME	DATE

ILLINOIS DEPARTMENT OF TRANSPORTATION

DRIVEWAY DETAILS  
MORRIS AVENUE

DRAWN BY MAC  
CHECKED BY PMH

DATE 05-27-09

**MORRIS AVENUE DRIVEWAY DETAILS**