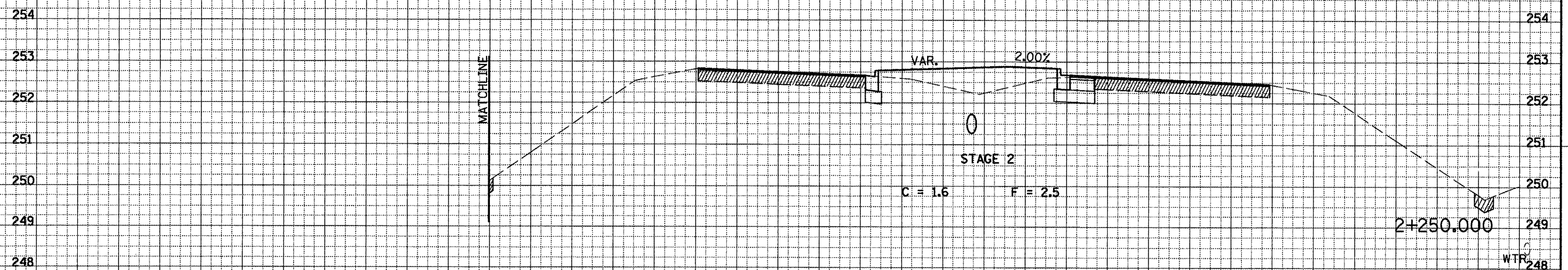


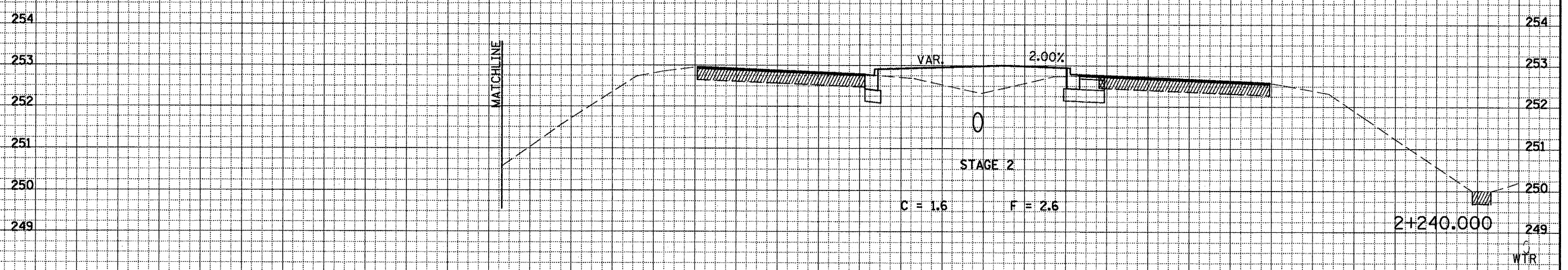
F.A.P. RTE.	SECTION	COUNTY	TOTAL SHEETS	SHEET NO.
704	(11N & TS-1	McLEAN	497	324
STA. 2+240.000		TO STA. 2+250.000		
FED. ROAD DIST. NO.	ILLINOIS	FED. AID PROJECT		
28	30	32	34	36
CONTRACT NO. 70514				

36 34 32 30 28 26 24 22 20 18 16 14 12 10 8 6 4 2 0 2 4 6 8 10 12 14 16 18 20 22 24 26

DATE _____
 BY _____
 SURVEYED _____
 PLOTTED _____
 TEMPLATE _____
 AREAS CHECKED _____
 FINAL SURVEY NOTE BOOK NO. _____



DATE _____
 BY _____
 SURVEYED _____
 PLOTTED _____
 TEMPLATE _____
 AREAS CHECKED _____
 ORIGINAL SURVEY NOTE BOOK NO. _____



36 34 32 30 28 26 24 22 20 18 16 14 12 10 8 6 4 2 0 2 4 6 8 10 12 14 16 18 20 22 24 26 28 30 32 34 36

HOR.=1:100
 VER.=1:50

VETERANS PARKWAY CROSS SECTIONS, STA. 2+240.000 TO STA. 2+250.000