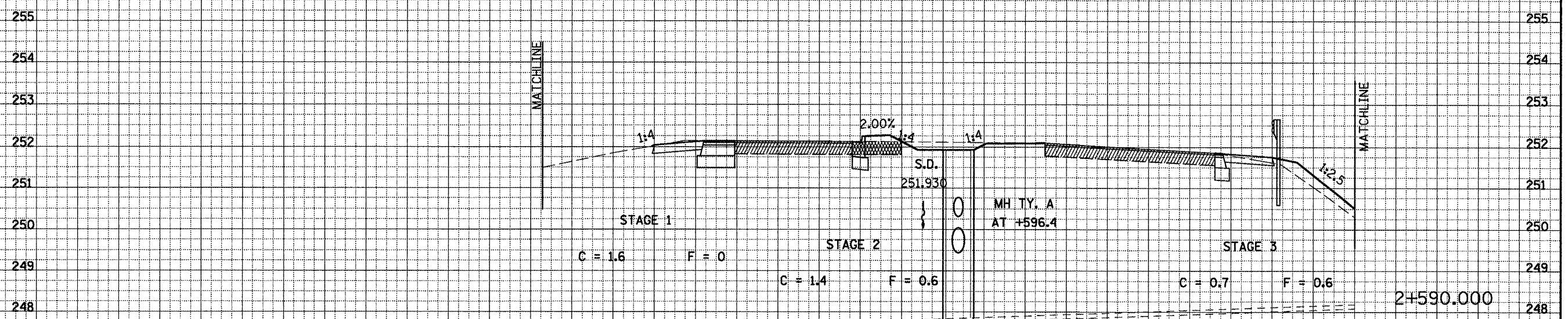
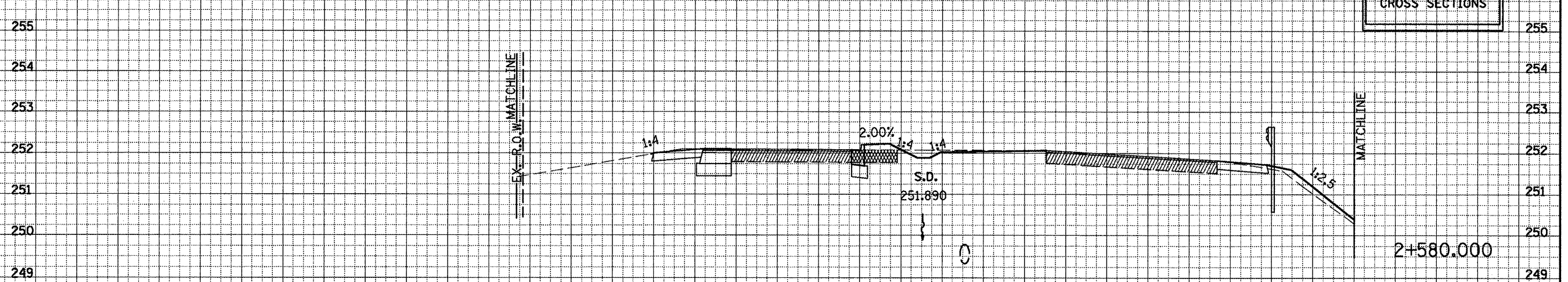


F.A.P. RTE.	SECTION	COUNTY	TOTAL SHEETS	SHEET NO.
704	11N & TS-1	McLEAN	497	337
STA. 2+580.000		TO STA. 2+590.000		
FED. ROAD DIST. NO.		ILLINOIS FED. AID PROJECT		
CONTRACT NO. 7051A				

36 34 32 30 28 26 24 22 20 18 16 14 12 10 8 6 4 2 0 2 4 6 8 10 12 14 16 18 20 22 24 26 28 30 32 34 36



SEE GREENWOOD AVE  
CROSS SECTIONS



HOR.=1:100  
VER.=1:50

36 34 32 30 28 26 24 22 20 18 16 14 12 10 8 6 4 2 0 2 4 6 8 10 12 14 16 18 20 22 24 26 28 30 32 34 36

VETERANS PARKWAY CROSS SECTIONS, STA. 2+580.000 TO STA. 2+590.000

FINAL SURVEY NOTE BOOK NO. \_\_\_\_\_

SUBMITTED SURVEY TEMPLATE AREAS CHECKED \_\_\_\_\_

BY \_\_\_\_\_ DATE \_\_\_\_\_

ORIGINAL SURVEY NOTE BOOK NO. \_\_\_\_\_

SUBMITTED SURVEY TEMPLATE AREAS CHECKED \_\_\_\_\_

BY \_\_\_\_\_ DATE \_\_\_\_\_