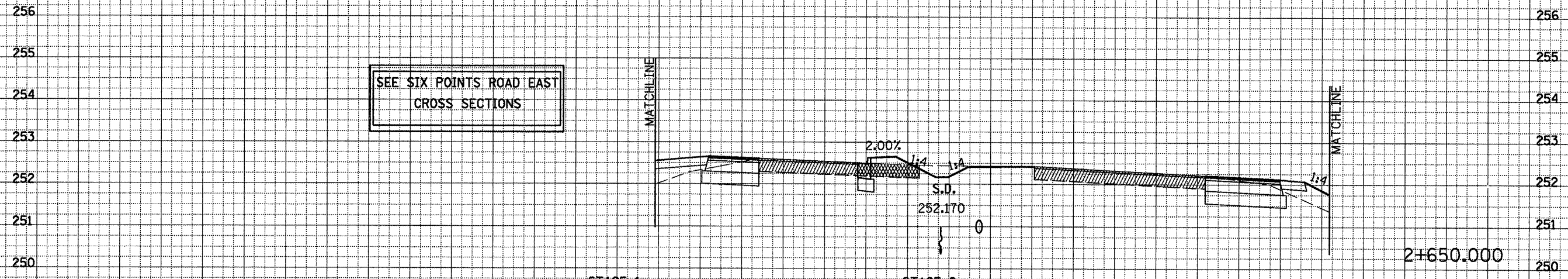


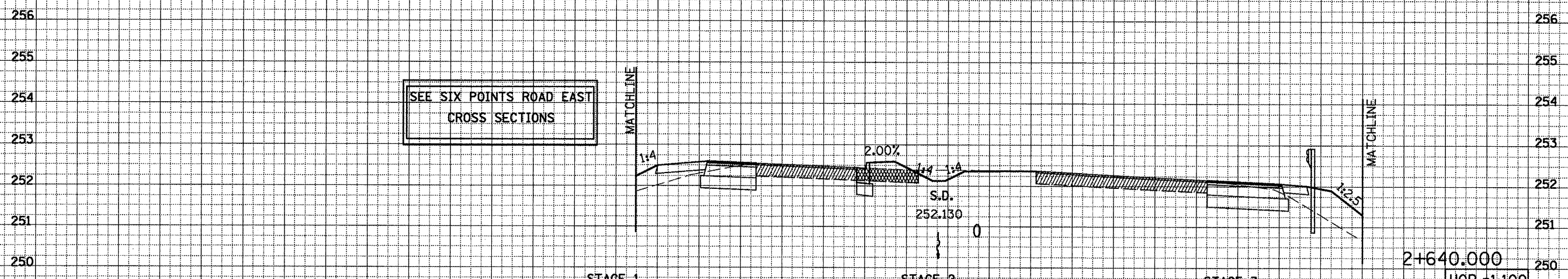
F.A.P. RTE.	SECTION	COUNTY	TOTAL SHEETS	SHEET NO.
704	(11N & TS-1	McLEAN	497	340
STA. 2+640.000		TO STA. 2+650.000		
FED. ROAD DIST. NO.		ILLINOIS FED. AID PROJECT		
28		30 32 34 36		
CONTRACT NO. 70514				

36 34 32 30 28 26 24 22 20 18 16 14 12 10 8 6 4 2 0 2 4 6 8 10 12 14 16 18 20 22 24 26

DATE	
BY	
FINAL SURVEY NOTE BOOK NO.	
SURVEYED PLOTTED TEMPLATE AREAS CHECKED	



DATE	
BY	
ORIGINAL SURVEY NOTE BOOK NO.	
SURVEYED PLOTTED TEMPLATE AREAS CHECKED	



VETERANS PARKWAY CROSS SECTIONS, STA. 2+640.000 TO STA. 2+650.000