

F.A.P. RTE.	SECTION	COUNTY	TOTAL SHEETS	SHEET NO.
704	(11N & TS-1	MCLEAN	497	343
STA. 2+700.000		TO STA. 2+710.000		
FED. ROAD DIST. NO.		ILLINOIS FED. AID PROJECT		
28		30 32 34 36		
CONTRACT NO. 70514				

36 34 32 30 28 26 24 22 20 18 16 14 12 10 8 6 4 2 0 2 4 6 8 10 12 14 16 18 20 22 24 26 28 30 32 34 36

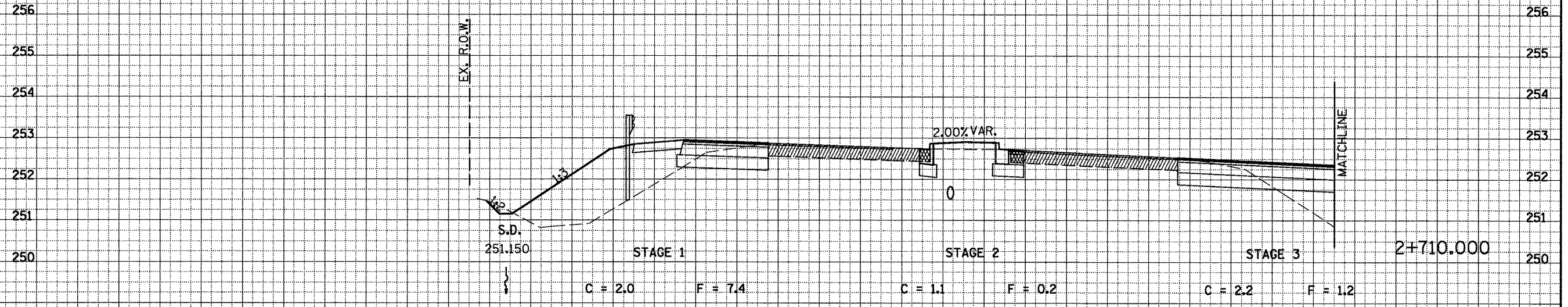
DATE _____ BY _____

FINAL SURVEY NOTE BOOK NO. _____

SURVEYED _____

TEMPLATE _____

AREAS CHECKED _____



SEE GREENWOOD AVE
CROSS SECTIONS

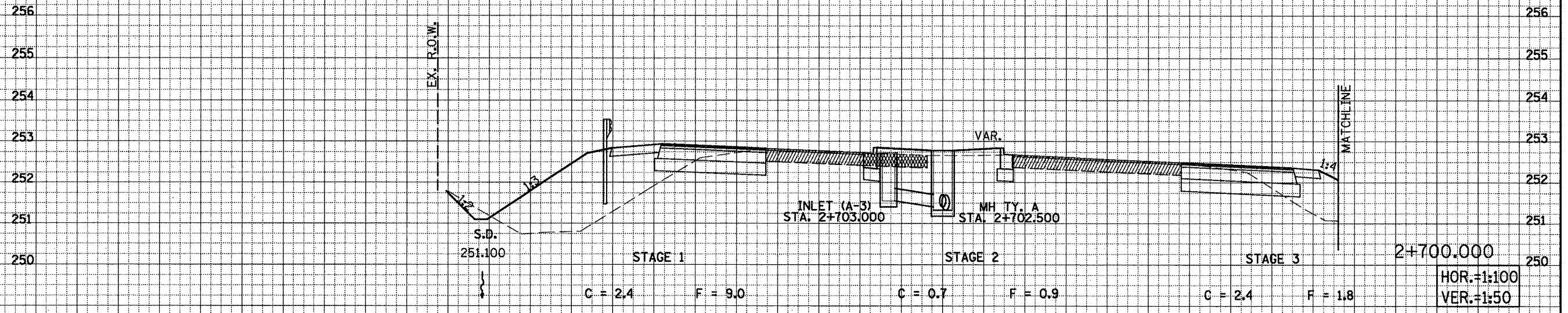
DATE _____ BY _____

ORIGINAL SURVEY NOTE BOOK NO. _____

SURVEYED _____

TEMPLATE _____

AREAS CHECKED _____



HOR.=1:100
VER.=1:50

36 34 32 30 28 26 24 22 20 18 16 14 12 10 8 6 4 2 0 2 4 6 8 10 12 14 16 18 20 22 24 26 28 30 32 34 36

VETERANS PARKWAY CROSS SECTIONS, STA. 2+700.000 TO STA. 2+710.000