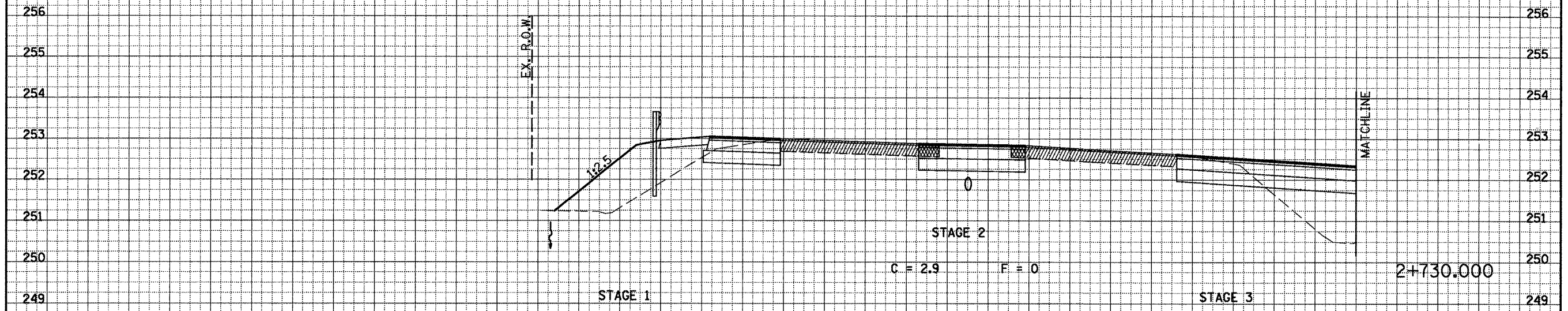


F.A.P. RTE.	SECTION	COUNTY	TOTAL SHEETS	SHEET NO.
704	11N & TS-1	McLEAN	497	344
STA. 2+722.395		TO STA. 2+730.000		
FED. ROAD DIST. NO.	ILLINOIS FED. AID PROJECT			
28	30	32	34	36
CONTRACT NO. 70514				

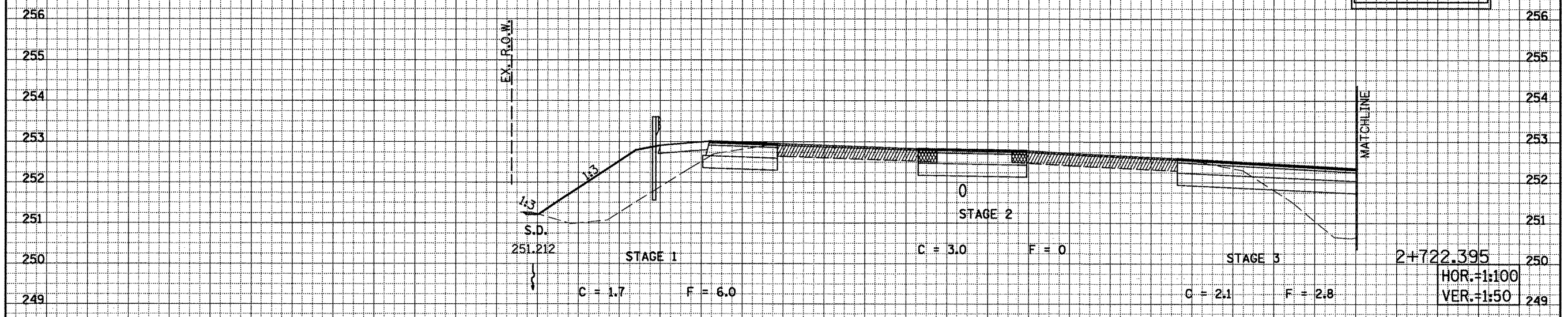
36 34 32 30 28 26 24 22 20 18 16 14 12 10 8 6 4 2 0 2 4 6 8 10 12 14 16 18 20 22 24 26

DATE _____
 BY _____
 SURVEYED _____
 SURVEY _____
 NOTE BOOK _____
 TEMPLATE _____
 AREAS CHECKED _____
 NO. _____



SEE GREENWOOD AVE.
CROSS SECTIONS

DATE _____
 BY _____
 SURVEYED _____
 SURVEY _____
 NOTE BOOK _____
 TEMPLATE _____
 AREAS CHECKED _____
 NO. _____



VETERANS PARKWAY CROSS SECTIONS, STA. 2+722.395 TO STA. 2+730.000

36 34 32 30 28 26 24 22 20 18 16 14 12 10 8 6 4 2 0 2 4 6 8 10 12 14 16 18 20 22 24 26 28 30 32 34 36