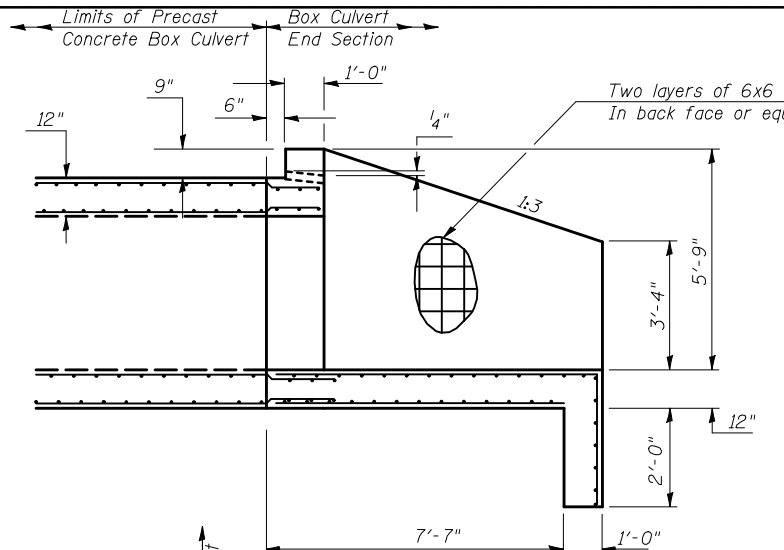
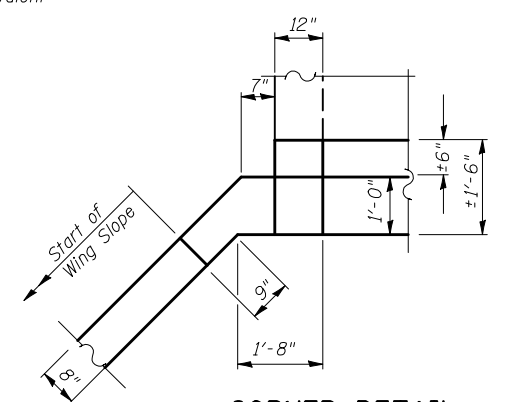


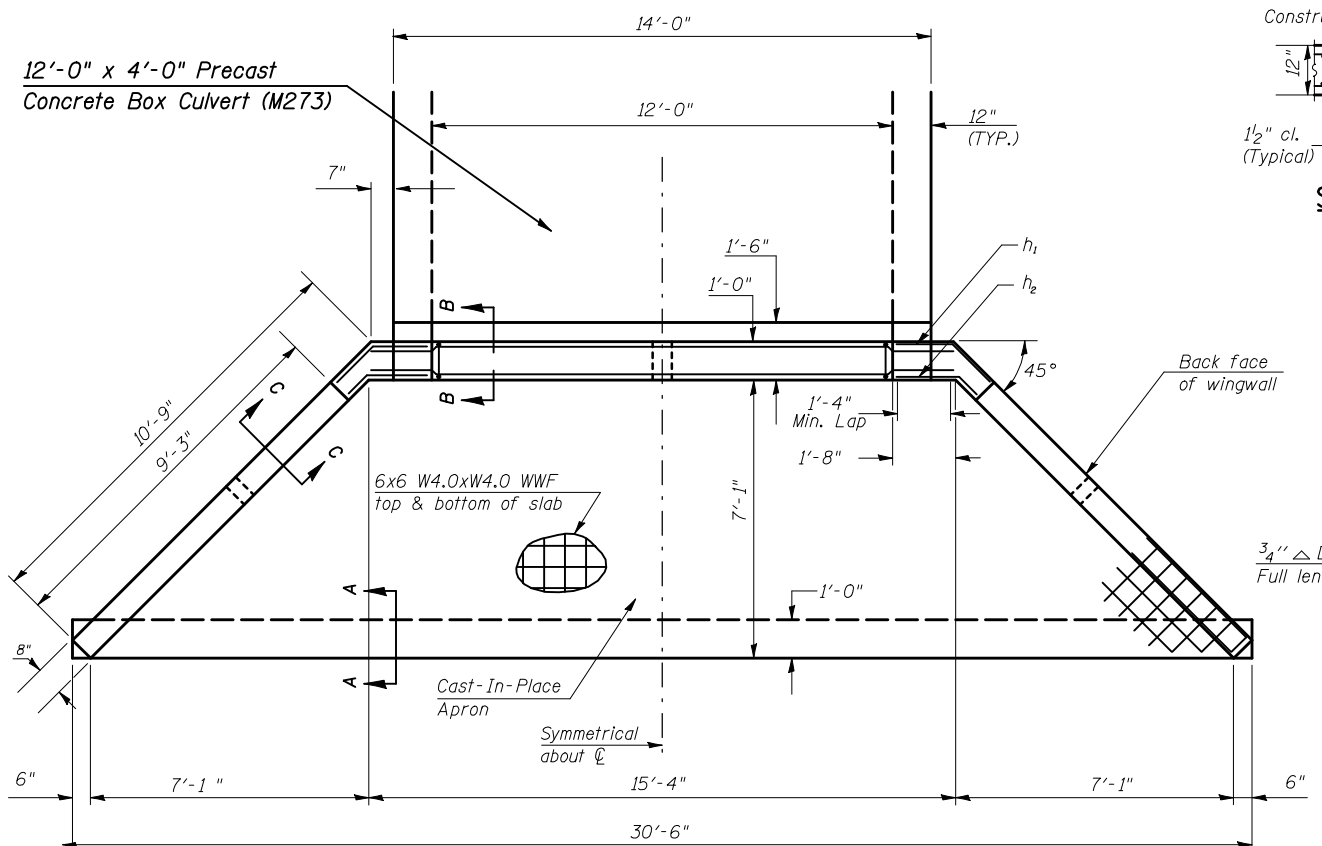
END ELEVATION



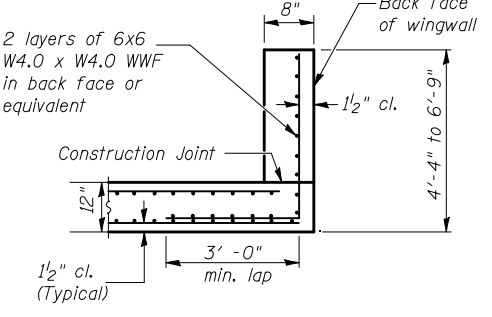
HALFSIDE ELEVATION



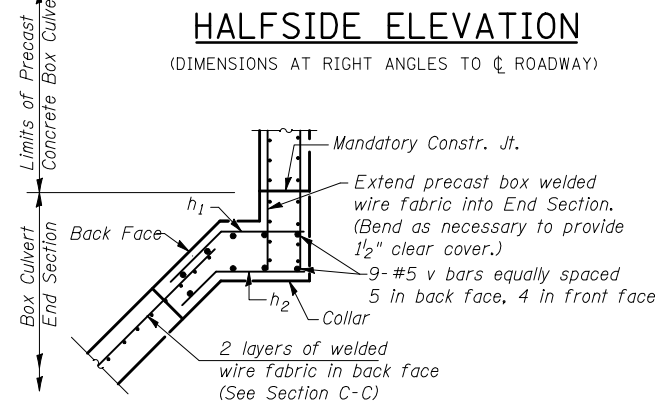
CORNER DETAIL
(Showing dimensions)



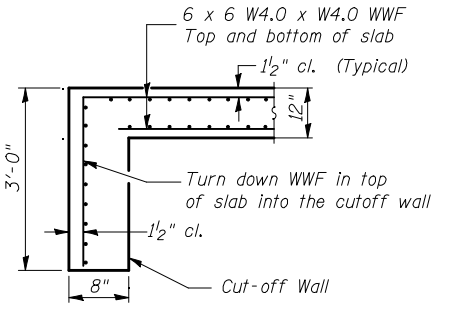
PLAN



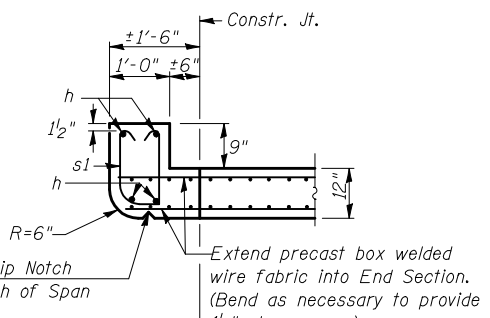
SECTION C-C
WINGWALLS



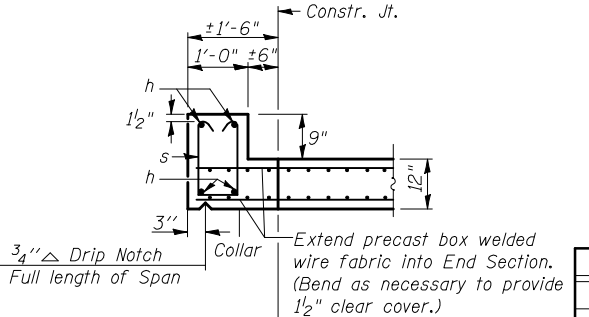
SECTION D-D



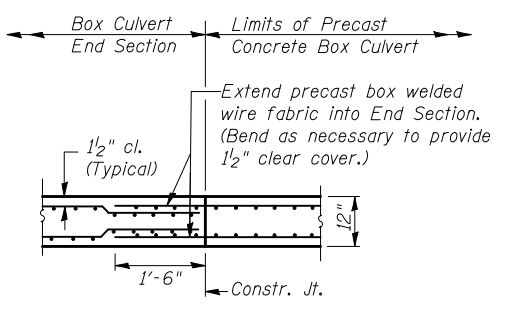
SECTION A-A
DOWNSTREAM END



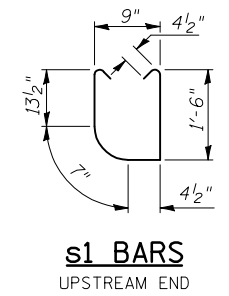
SECTION E-E
TOP SLAB / HEADWALL UPSTREAM END



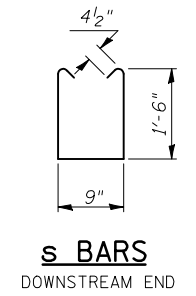
SECTION E-E
TOP SLAB / HEADWALL DOWNSTREAM END



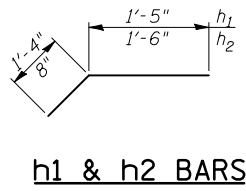
SECTION B-B
BOTTOM SLAB



s1 BARS
UPSTREAM END



s BARS
DOWNSTREAM END



h1 & h2 BARS

BILL OF MATERIAL

For Information Only
(One End Section)

Bar	No.	Size	Length	Shape
h	4	#6	15'-1"	—
h1	12	#4	2'-9"	—
h2	12	#4	2'-2"	—
s or s1	13	#4	4'-6"	⌞
v	18	#5	6'-6"	—
Item		Unit	Total	
Concrete Box Culverts		Cu. Yd.	15.5	
Reinforcement Bars		Pound	291.0	
Welded Wire Fabric		Sq. Ft.	718.0	

END SECTION DETAILS
SINGLE 12'x4' PRECAST BOX CULVERT
F.A.P. ROUTE 741 - SECTION (8,9,10)CR
STATION 271+22.00 S.N. 074-8315
CULVERT NO. 4

FILE NAME =	USER NAME = hennessdm	DESIGNED -	REVISED -
ct:\pw\work\p\dot\hennessdm\d0184799\0570800-sh1-Details.dgn		DRAWN -	REVISED -
PLOT SCALE = 40.0000' / IN.		CHECKED -	REVISED -
PLOT DATE = 10/19/2010		DATE -	REVISED -

STATE OF ILLINOIS
DEPARTMENT OF TRANSPORTATION

BOX CULVERT END SECTION DETAILS
S.N. 074-8315 (CULVERT #4)

SCALE: SHEET NO. 2 OF 4 SHEETS STA. TO STA.

F.A.P. RTE.	SECTION	COUNTY	TOTAL SHEETS	SHEET NO.
741	(8,9,10)CR	Platt	65	33
ILLINOIS FED. AID PROJECT			CONTRACT NO. 70800	