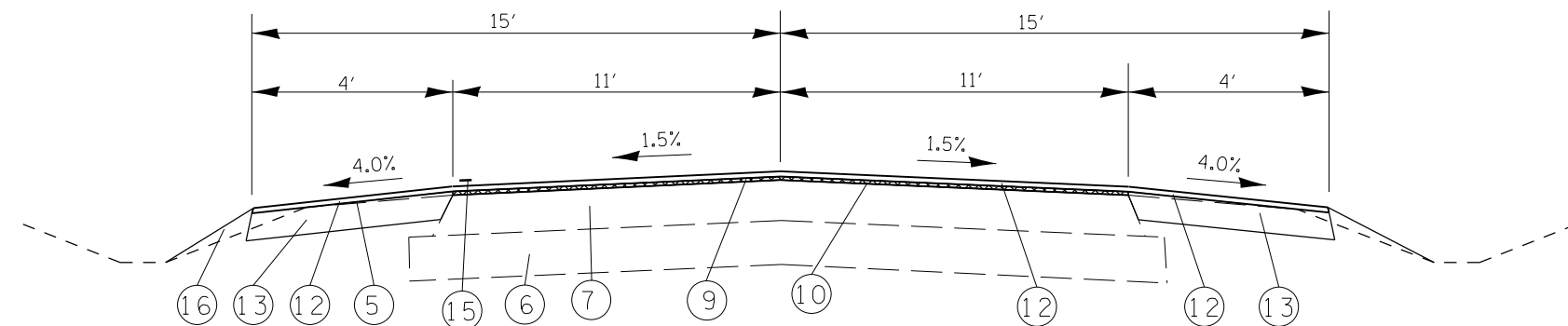


STA 397+32.66 TO STA 406+17.42
 STA 421+79.01 TO STA 428+50.52
 STA 441+33.12 TO STA 462+00
 STA 477+14.81 TO STA 481+45.93
 STA 491+49.99 TO STA 519+92.37 (BK) = STA 520+18.77 (AH)



STA 377+88.99 TO STA 382+66.89
 STA 408+60 TO STA 413+70.32
 STA 462+00 TO 464+33.95 (BK) = STA 465+00 (AH)
 STA 465+00 TO STA 465+52.96
 STA 465+52.96 TO STA 466+38.96 BRIDGE OMISSION
 STA 466+02 TO STA 470+94.59

LEGEND

- 1 EXISTING PCC PAVEMENT (9-6-9) & 6" BIT OVERLAY
- 2 EXISTING PCC PAVEMENT (9-6-9) & 5 1/2" BIT OVERLAY
- 3 EXISTING HMA BASE COURSE 9" & 3" HMA OVERLAY
- 4 EXISTING HMA BASE COURSE 8" & 3" HMA OVERLAY
- 5 EXISTING AGGREGATE SHOULDERS
- 6 EXISTING ROCKFILL AND CAPSTONE 15"
- 7 EXISTING HMA PAVEMENT, 11 1/4" B BINDER, 1 1/2" C SURFACE
- 8 EXISTING HMA SHOULDERS 8"
- 9 EXISTING HMA OVERLAY - 2 1/4"
- 10 HMA SURFACE REMOVAL - VAR. DEPTH
- 11 LEVELING BINDER COURSE - 3/4"
- 12 HMA SURFACE COURSE - 1 1/2"
- 13 HMA SHOULDERS - 6 1/2"
- 14 HMA SHOULDERS - 8"
- 15 PROPOSED PAVEMENT MARKING LINE, 5"
- 16 PROPOSED GRADING AND SHAPING FORESLOPES
- 17 PROPOSED AGGREGATE SHOULDER, TY-B

NOTE: STRIPE ALL PAVEMENT FOR 11' LANES WITH 4' SHOULDERS

FILE NAME =	USER NAME = laughlir1	DESIGNED -	REVISED -	STATE OF ILLINOIS DEPARTMENT OF TRANSPORTATION	TYPICAL CROSS SECTION			F.A.S. RTE.	SECTION	COUNTY	TOTAL SHEETS	SHEET NO.
et:\pwork\pwork\laughlir1\0217723\062056-shr-typical.dgn		DRAWN -	REVISED -		SCALE:	SHEET NO. OF SHEETS	STA. TO STA.	618	(B)RS-4, (O-15)DRS-2	SANGAMON	32	11
		CHECKED -	REVISED -					CONTRACT NO. 72D56				
		DATE -	REVISED -		ILLINOIS FED. AID PROJECT							