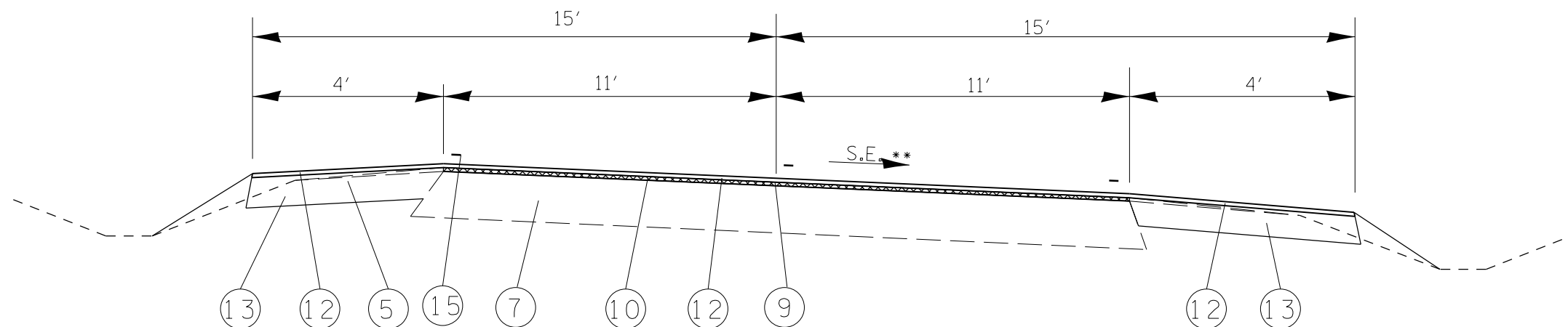


STA 396+39.54 TO STA 397+32.66
 STA 420+49.79 TO STA 421+79.01
 STA 428+50.52 TO STA 441+33.12
 STA 476+30 TO STA 477+14.81
 STA 481+45.93 TO STA 482+92.67
 STA 490+12.91 TO STA 491+49.99

** SEE CURVE DATA ON PLANS



STA 486+00 TO STA 487+67

LEGEND

- 1 EXISTING PCC PAVEMENT (9-6-9) & 6" BIT OVERLAY
- 2 EXISTING PCC PAVEMENT (9-6-9) & 5 1/2" BIT OVERLAY
- 3 EXISTING HMA BASE COURSE 9" & 3" HMA OVERLAY
- 4 EXISTING HMA BASE COURSE 8" & 3" HMA OVERLAY
- 5 EXISTING AGGREGATE SHOULDERS
- 6 EXISTING ROCKFILL AND CAPSTONE 15"
- 7 EXISTING HMA PAVEMENT, 11 1/4" B BINDER, 1 1/2" C SURFACE
- 8 EXISTING HMA SHUOLDERS 8"
- 9 EXISTING HMA OVERLAY - 2 1/4"
- 10 HMA SURFACE REMOVAL - VAR. DEPTH
- 11 LEVELING BINDER COURSE - 3/4"
- 12 HMA SURFACE COURSE - 1 1/2"
- 13 HMA SHOULDERS - 6 1/2"
- 14 HMA SHOULDERS - 8"
- 15 PROPOSED PAVEMENT MARKING LINE, 5"
- 16 PROPOSED GRADING AND SHAPING FORESLOPES
- 17 PROPOSED AGGREGATE SHOULDER, TY-B

NOTE: STRIPE ALL PAVEMENT FOR 11' LANES WITH 4' SHOULDERS

FILE NAME =	USER NAME = laughlir1	DESIGNED -	REVISED -	STATE OF ILLINOIS DEPARTMENT OF TRANSPORTATION	TYPICAL CROSS SECTION			F.A.S. RTE.	SECTION	COUNTY	TOTAL SHEETS	SHEET NO.
et:\pwork\pwork\laughlir1\0217723\062056-shr-typical.dgn		DRAWN -	REVISED -		SCALE:	SHEET NO. OF SHEETS	STA. TO STA.	618	(B)RS-4, (O-15)RS-2	SANGAMON	32	12
		CHECKED -	REVISED -					CONTRACT NO. 72D56				
		DATE -	REVISED -		ILLINOIS FED. AID PROJECT							