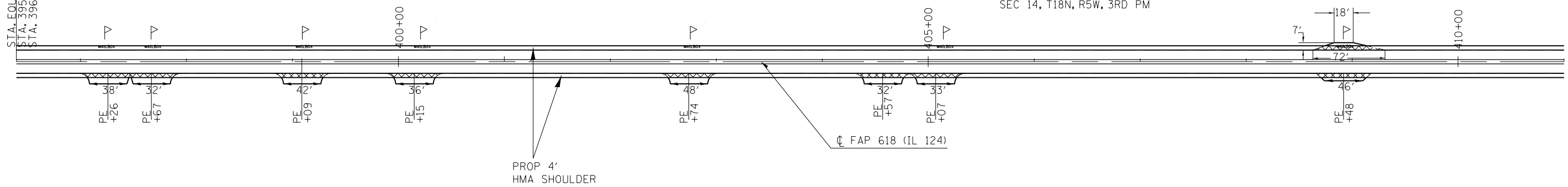


STA. EQUATION
 STA. 395+85.96 BK.
 STA. 396+39.54 AH.



CURVE
 P.I. STA= 417+75.36
 Δ = 10°-18'-21"
 D= 2°-00'-00"
 R= 2864.79'
 T= 258.34'
 L= 515.29'
 E= 11.67'
 e= 4.4
 T.R.= 118.5
 S.E. RUN= 158.9
 P.C. STA= 415+17.02
 P.T. STA= 420+32.31(BK) = 420+49.79(AH)
 S.E.A. 413+70.32 - 415+90.32
 S.E.A. 413+70.32 - 415+90.32

FILE NAME =	USER NAME = laughlinr1	DESIGNED -	REVISED -
e:\pwwork\pwwid\laughlinr1\0217723\0672056-shr-plan.dgn		DRAWN -	REVISED -
	PLOT SCALE = 100.0000' / in.	CHECKED -	REVISED -
	PLOT DATE = Oct-26-2010 07:10:10AM	DATE -	REVISED -

**STATE OF ILLINOIS
 DEPARTMENT OF TRANSPORTATION**

PLAN VIEW			
SCALE:	SHEET NO. OF	SHEETS	STA. TO STA.

F.A.S. RTE.	SECTION	COUNTY	TOTAL SHEETS	SHEET NO.
618	(B)RS-4, (O-15)RS-2	SANGAMON	32	21
CONTRACT NO. 72D56				
ILLINOIS FED. AID PROJECT				