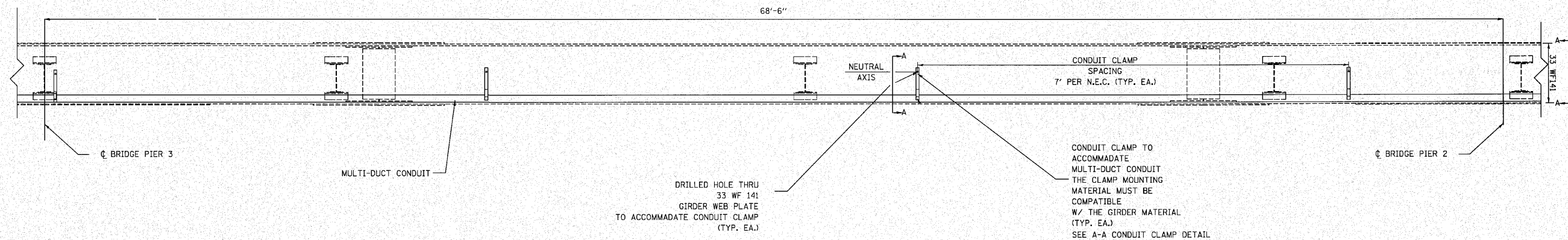
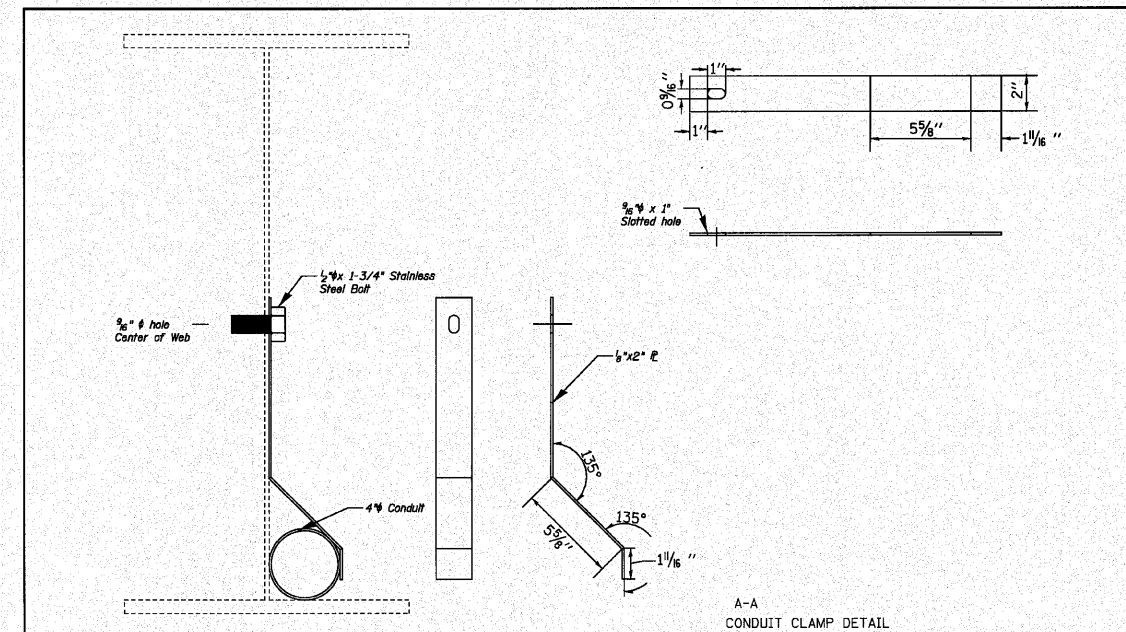


NOTE: ATTACH FLEXIBLE MULTI-DUCT CONDUIT TO AND FROM THIS ATTACHED CONDUIT PER THE "CONDUIT ATTACHED TO STRUCTURE, 4" DIA., PVC, TYPE C" SPECIAL PROVISION



CONDUIT ATTACHED TO STRUCTURE
OVER RAILROAD AT STA.256+81.57 (SECTION 60-2VHB)
BETWEEN PIER 2 AND PIER 3



A-A
CONDUIT CLAMP DETAIL

FILE NAME =	USER NAME = prestonme	DESIGNED -	REVISED -
ca:\pwork\pwork\prestonme\d2134173\d878d29-abt-ITS-plen.dgn		DRAWN -	REVISED -
	PLOT SCALE = 100.0000 / IN.	CHECKED -	REVISED -
	PLOT DATE = 11/24/2010	DATE -	REVISED -

STATE OF ILLINOIS
DEPARTMENT OF TRANSPORTATION

MULTI-DUCT CONDUIT INSTALLATION
OVER RAILROAD TRACKS

SCALE: SHEET NO. OF SHEETS STA. TO STA.

F.A.T. RTE.	SECTION	COUNTY	TOTAL SHEETS	SHEET NO.
270	DIST 8 ITS 2011-1	MADISON	17	8
CONTRACT NO. 76D09				
FED. ROAD DIST. NO. ILLINOIS FED. AID PROJECT				