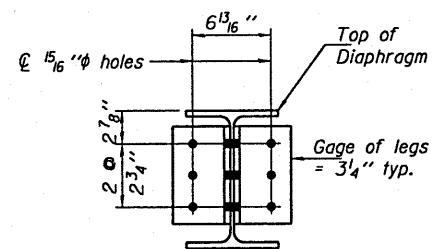
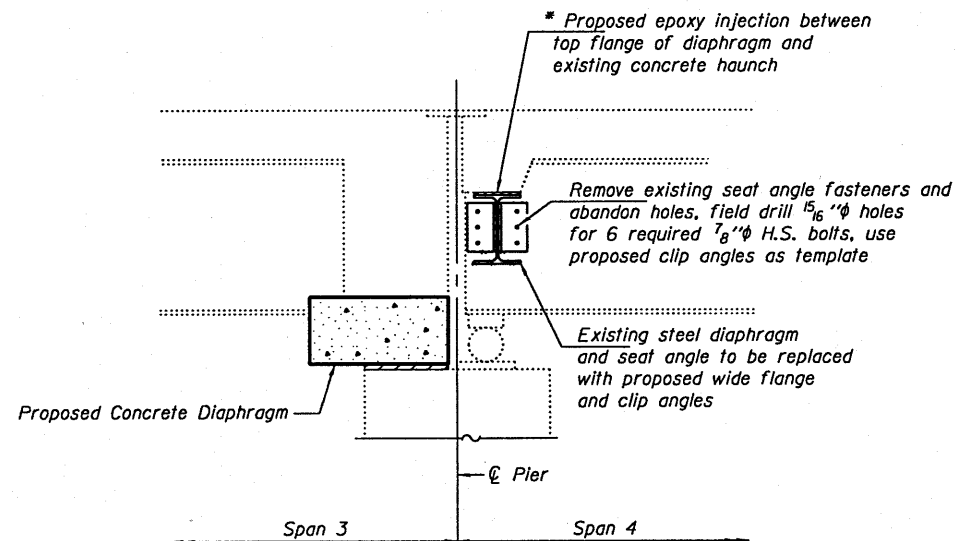


STEEL DIAPHRAGM REPLACEMENT AT PIER 3

At Span 4 End
(Looking West)



**CLIP ANGLE
BOLT HOLE LOCATIONS**



SECTION AT PIER 3

Looking North

* Install proposed diaphragm up against existing concrete haunch

Note:
Epoxy injection for steel diaphragm shall be included with Structural Steel Repair.

IL 161 OVER CROOKED CREEK

DESIGNED <i>GGE</i>	EXAMINED <i>R. Carl Papp</i>	DATE NOVEMBER 22, 2010	STATE OF ILLINOIS DEPARTMENT OF TRANSPORTATION	REPAIR DETAILS SN 014-0025	F.A. RTE.	SECTION	COUNTY	TOTAL SHEETS	SHEET NO.	
CHECKED <i>VHV</i>	PASSED <i>Ralph E. Anderson</i>				805	7BR-2	CLINTON	8	7	
DRAWN <i>baliva</i>					CONTRACT NO. 76E66					
CHECKED <i>GGE VHV</i>					ILLINOIS FED. AID PROJECT					