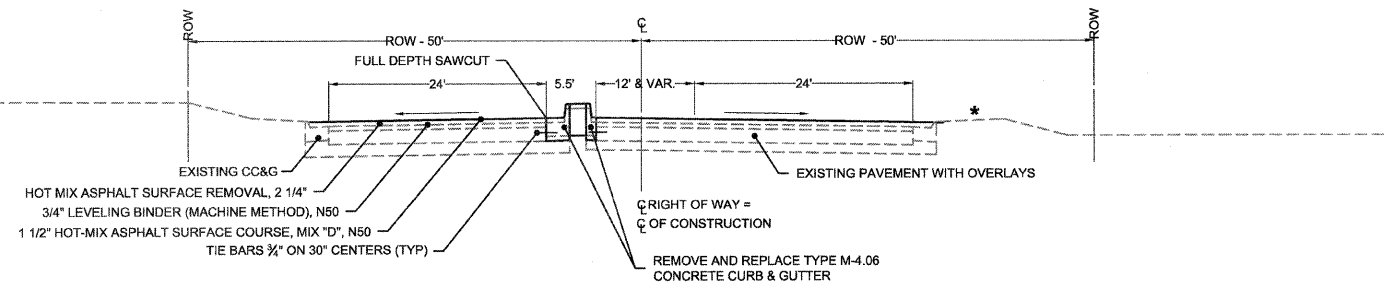


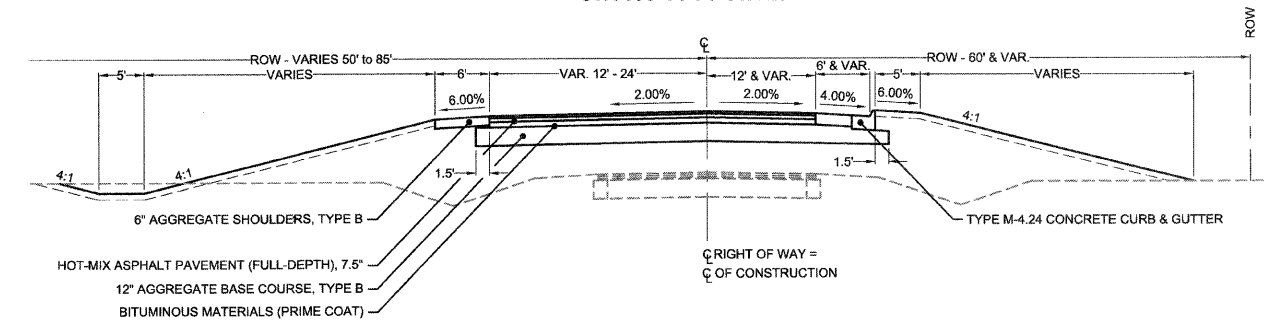


# TYPICAL SECTIONS

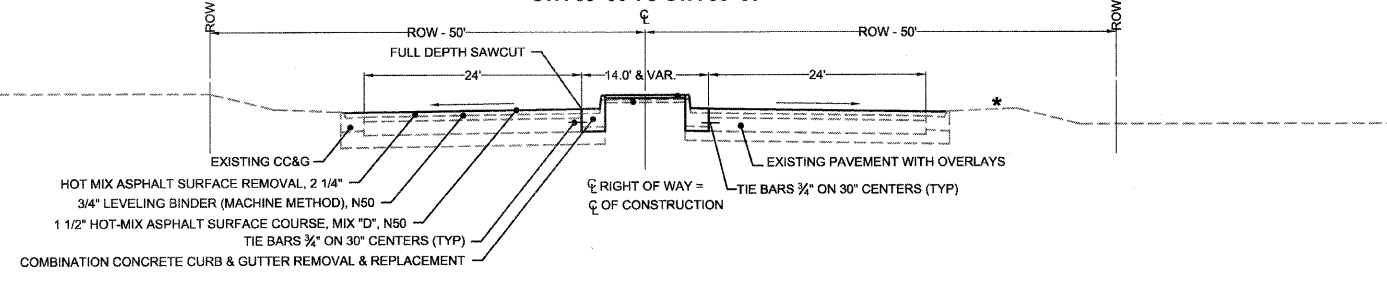
### WEST STATE STREET STA 87+44 TO STA 92+00



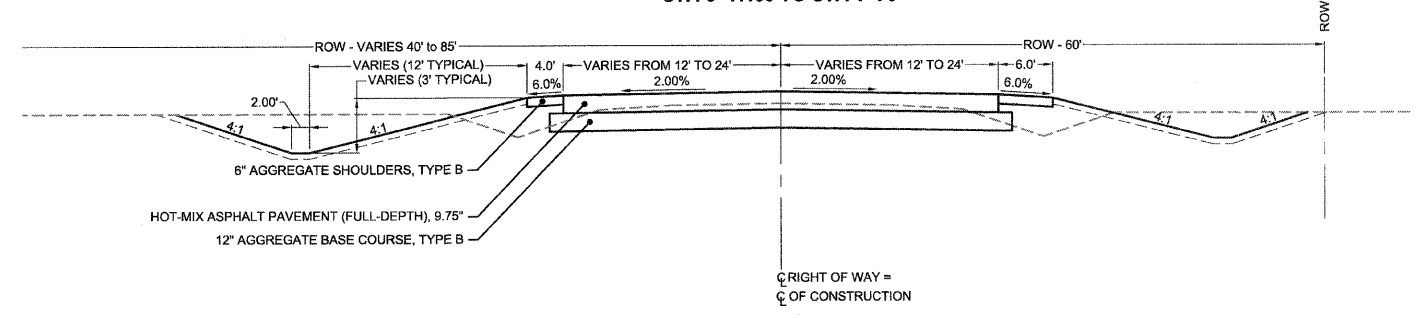
### CEMETERY ROAD STA 196+75 TO STA 201+16



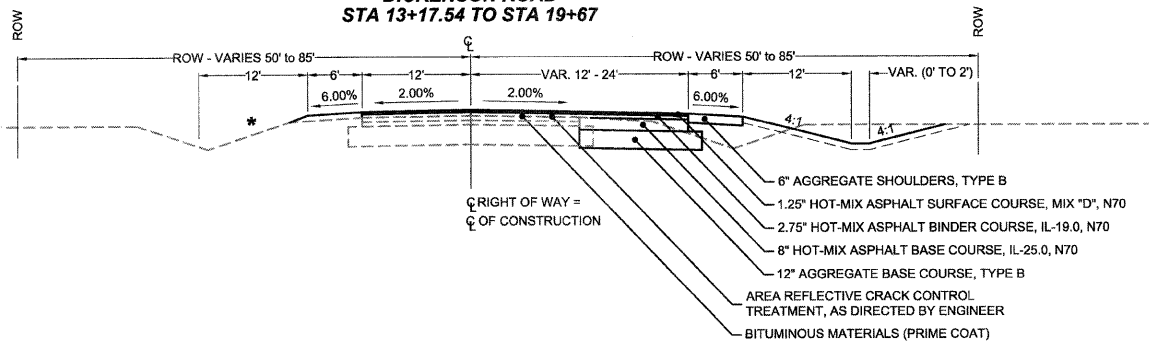
### WEST STATE STREET STA 83+00 TO STA 86+80



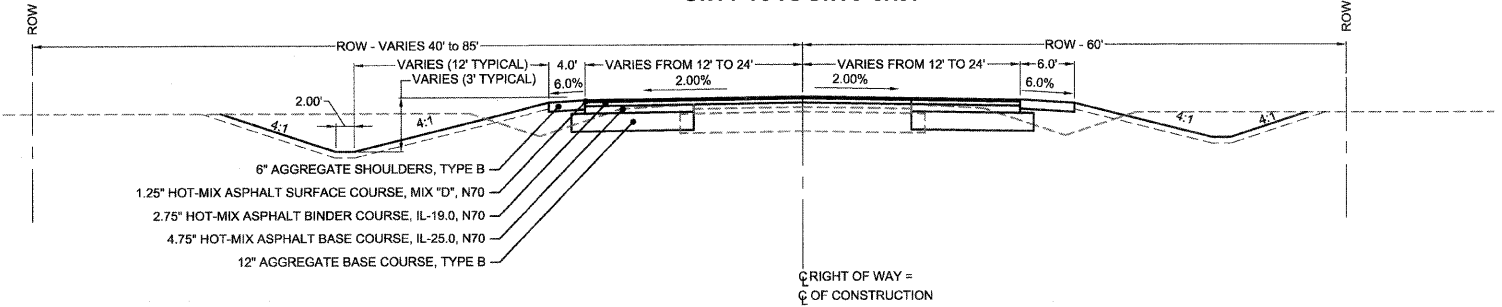
### LATHAM ROAD STA 0+17.60 TO STA 1+75



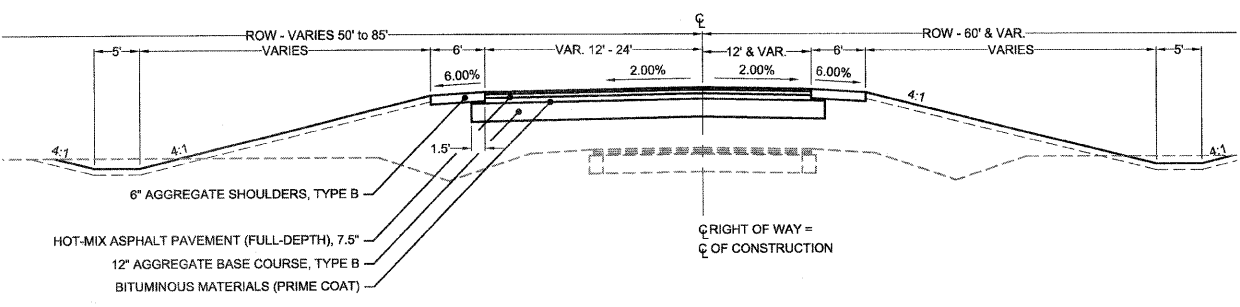
### DICKENSON ROAD STA 13+17.54 TO STA 19+67



### LATHAM ROAD STA 1+75 TO STA 6+57.91



### CEMETERY ROAD STA 194+57.03 TO STA 196+75 STA 201+69 TO STA 205+50.43



NOTE: \* - MAINTAIN EXISTING ROADSIDE SLOPES. EXISTING SLOPES ESTIMATED BETWEEN 3:1 AND 4:1.