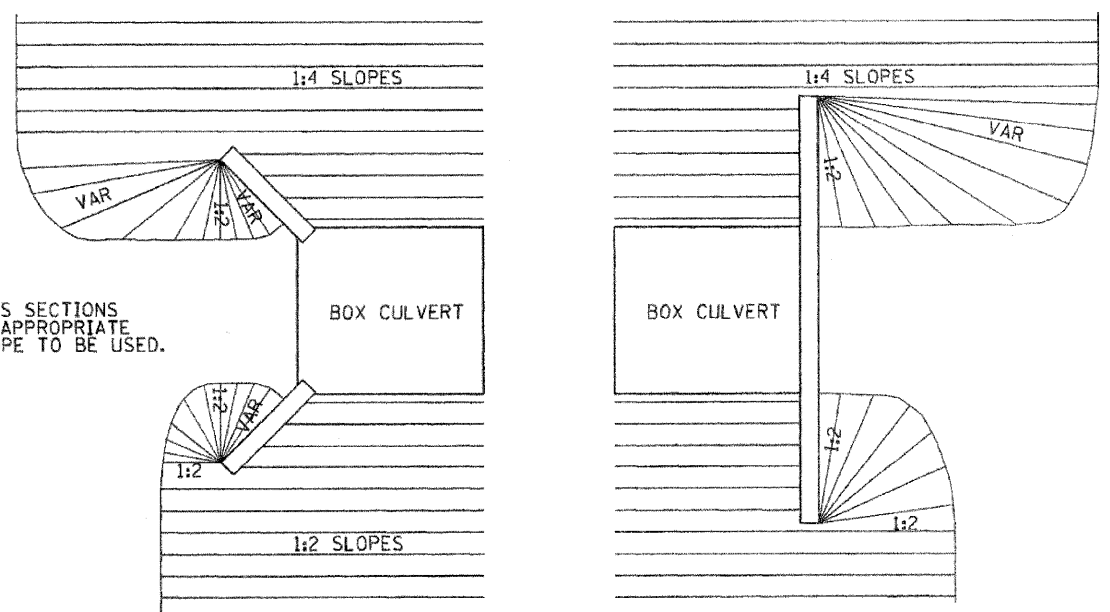


GRADING AROUND WINGWALLS



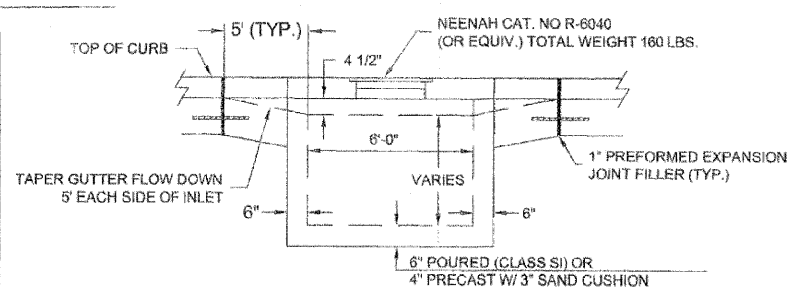
NOTES
SEE CROSS SECTIONS FOR THE APPROPRIATE FRONTSLOPE TO BE USED.

REVISED - 5-27-09	REGION 2 / DISTRICT 2 STANDARD	F.A. RTE.	SECTION	COUNTY	TOTAL SHEETS	SHEET NO.
REVISED -						
REVISED -						
REVISED -	SCALE: 1/8" = 1' / IN.	SHEET NO. OF SHEETS	STA. TO STA.	CONTRACT NO.		
PLOT DATE: Fri Sep 18 09:35:13 2009		FED. ROAD DIST. NO.		ILLINOIS FED. AID PROJECT		

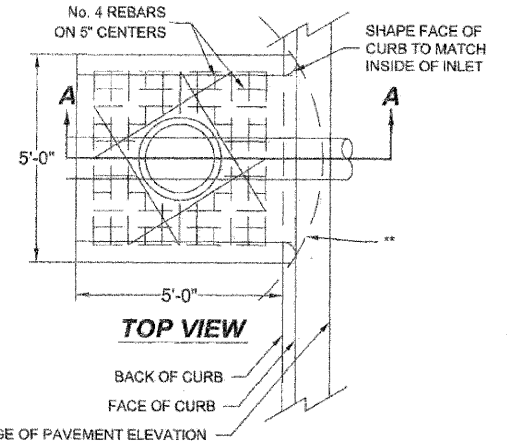
GRADING AROUND WINGWALLS 20.4

	ROUTE	SECTION	SHEET
	24	06-00400-00-RS	1 OF 1
STANDARD DRAWING - INLET SPECIAL NO. 1			

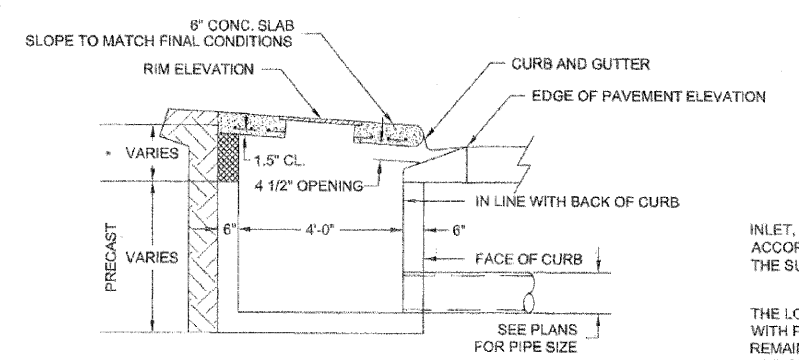
INLET SPECIAL NO. 1



TYPICAL FRONT VIEW



TOP VIEW



SECTION A-A

** - WHEN INLET IS TO BE CONSTRUCTED IN RETURN, THE TOP OF THE SLAB SHALL CONFORM TO THE RADIUS OF THE RETURN.

INLET, SPECIAL NO. 1 SHALL BE CONSTRUCTED IN ACCORDANCE WITH SECTION 602 OF THE STANDARD SPECIFICATIONS, THE SUPPLEMENTAL SPECIFICATIONS AND THIS DRAWING.

THE LOWER PORTION OF THE INLET (2'-8") SHALL BE CONSTRUCTED WITH PRECAST CONCRETE WITH BLOCK OUTS FOR PIPES AND THE REMAINDER MAY BE CONCRETE MASONRY. CONCRETE MASONRY UNITS ARE TO BE LAID IN FULL MORTAR BEDS WITH FLUSH JOINTS.

THIS ITEM SHALL BE PAID FOR AT THE CONTRACT UNIT PRICE PER EACH INLET, SPECIAL NO. 1 WHICH PRICE SHALL INCLUDE THE COST OF FRAME AND LID, REINFORCEMENT BARS AND ALL OTHER MATERIALS.

CONTRACTOR TO VERIFY PRECAST HEIGHT PRIOR TO ORDERING MATERIALS.

INLET SPECIAL NO. 1