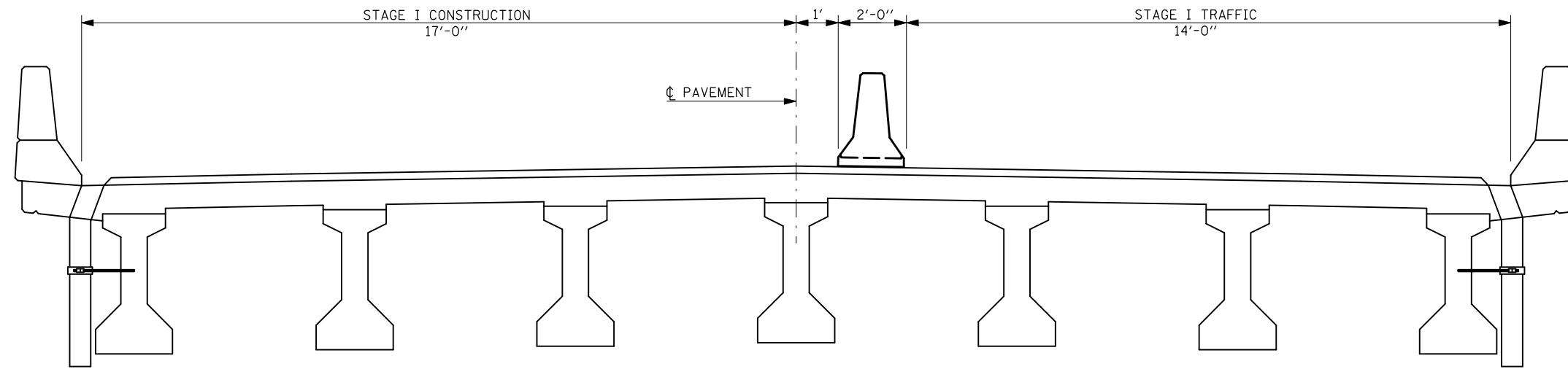


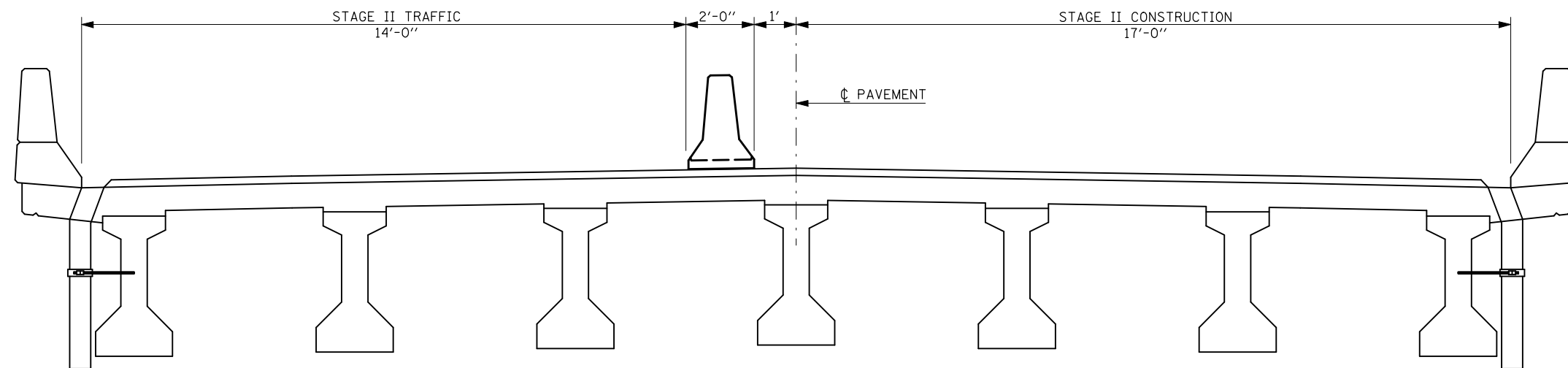
STAGE I

EASTBOUND LOOKING EAST, WESTBOUND LOOKING WEST



STAGE II

EASTBOUND LOOKING EAST, WESTBOUND LOOKING WEST



FILE NAME =	USER NAME = s1msgm	DESIGNED - GMS	REVISED -	STATE OF ILLINOIS DEPARTMENT OF TRANSPORTATION	STAGE CONSTRUCTION DETAILS			F.A.I. RTE.:	SECTION	COUNTY	TOTAL SHEETS	SHEET NO.
ct:\pw\work\p\dot\s1msgm\d0187665\d590963 Bridge Repairs.dgn	DRAWN - GMS	REVIS	REVIS		74	(92-9BR)I-1	VERMILION	15	7			
PLOT SCALE = 40.0001' / IN.	CHECKED -	REVIS	REVIS		S.N. 092-0001 (EB) & 092-0002 (WB)			CONTRACT NO. 90963				
PLOT DATE = 10/18/2010	DATE -	REVIS	REVIS		SCALE:	SHEET NO. - OF - SHEETS	STA.	TO STA.	FED. ROAD DIST. NO.	ILLINOIS FED. AID PROJECT		