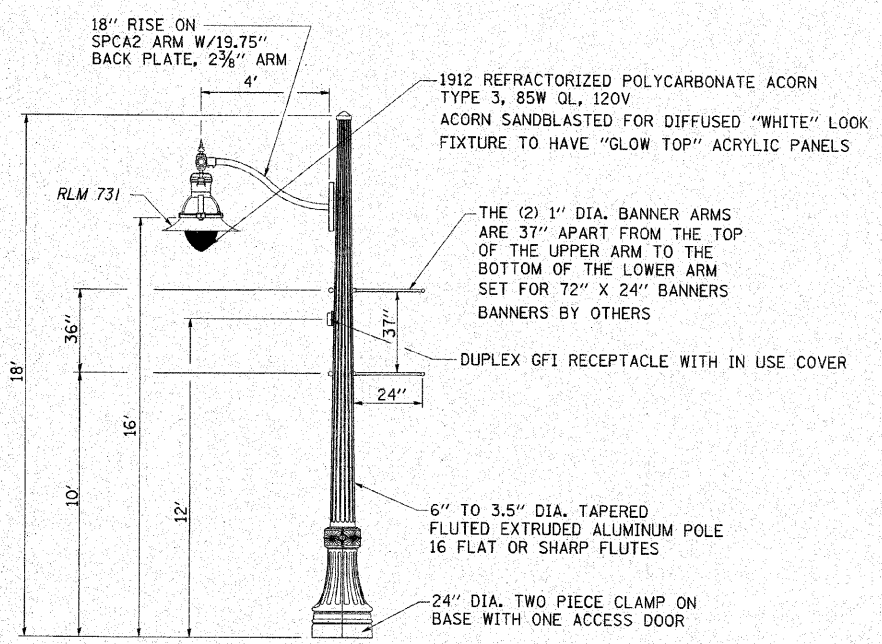
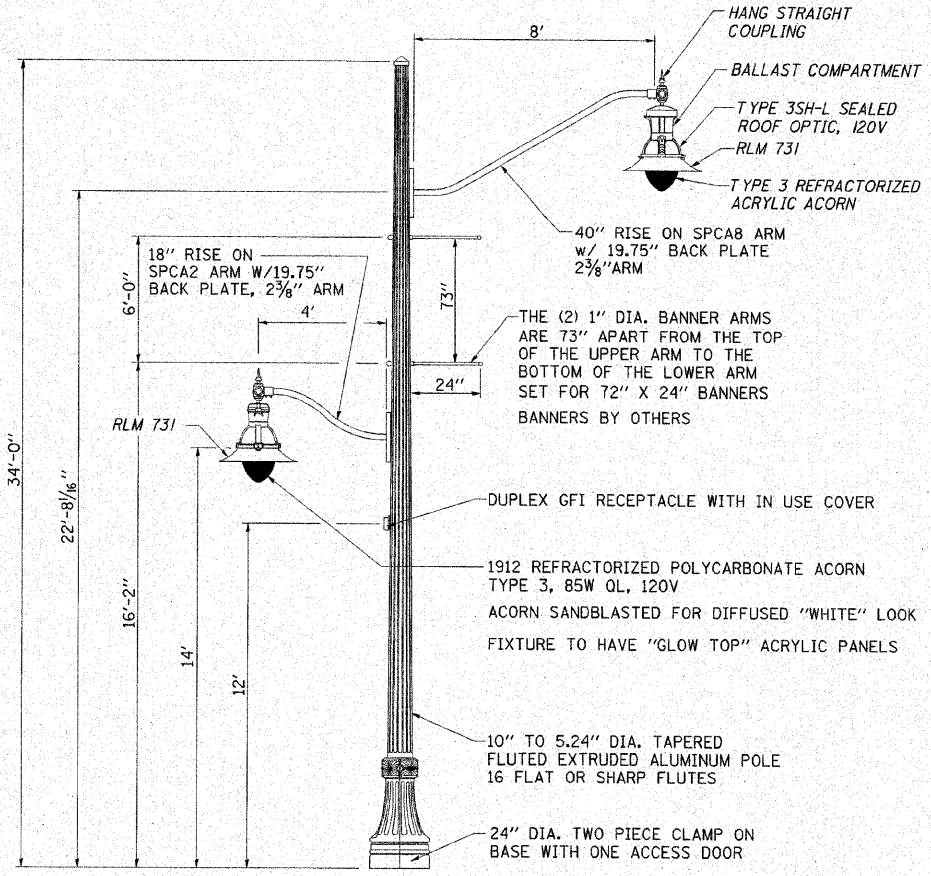


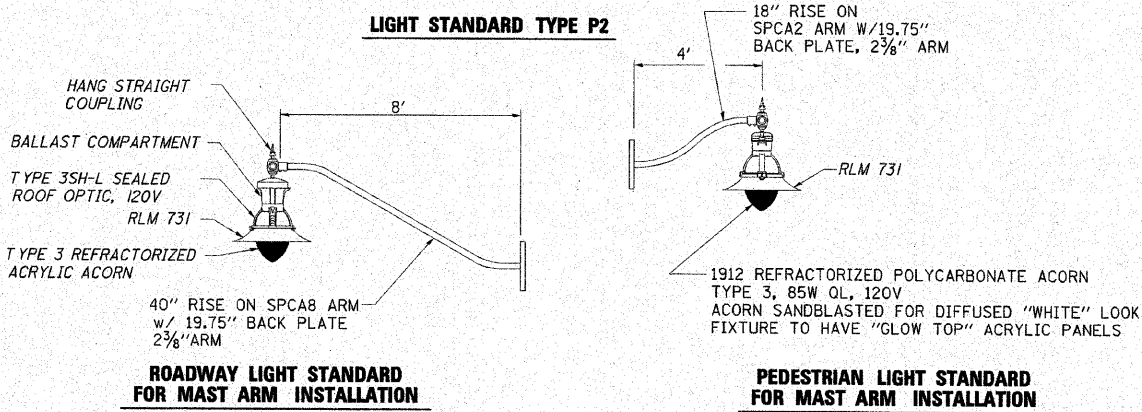
LIGHT STANDARD TYPE P1



LIGHT STANDARD TYPE P3



LIGHT STANDARD TYPE P2



ROADWAY LIGHT STANDARD FOR MAST ARM INSTALLATION

PEDESTRIAN LIGHT STANDARD FOR MAST ARM INSTALLATION

LUMINAIRE SCHEDULE				
SYMBOL	LABEL	QTY	LAMP	FOUNDATION
	COMBINED ROADWAY AND PEDESTRIAN LIGHTS	12	157 W LED WITH 9600 LUMENS, 85 W QL WITH 6,000 LUMENS	6'
	COMBINED ROADWAY AND PEDESTRIAN LIGHTS AT INTERSECTIONS	16	250 WATT HPS WITH 27,500 INITIAL DELIVERED LUMENS 85 W QL WITH 6,000 LUMENS	6'
	PEDESTRIAN LIGHTS	13	85 WATT QL HPS WITH 16,000 INITIAL DELIVERED LUMENS	4'

LIGHT FIXTURE LOCATIONS

POLE ID	TYPE	STATION	OFFSET
F1	P1	24+40.5	30.6' RT.
F2	P3	24+25.7	22.4' LT.
F3	P3	25+13.8	28.6' RT.
F4	P1	25+16.5	22.0' LT.
F5	P2	26+13.0	23.0' RT.
F6	P2	26+37.1	42.9' LT.
F7	P2	26+69.5	43.7' RT.
F8	P2	26+92.9	22.3' LT.
F9	P1	27+63.5	30.5' RT.
F10	P3	27+68.9	20.7' LT.
F11	P3	28+45.2	29.1' RT.
F12	P1	28+45.8	22.1' LT.
F13	P1	29+25.0	29.2' RT.
F14	P3	29+35.2	20.9' LT.
F15	P2*	30+29.6	42.7' RT.
F16	P2*	30+17.2	26.6' LT.
F17	P2*	30+91.4	32.9' RT.
F18	P2*	30+77.9	37.0' LT.
F19	P3	31+66.8	30.0' RT.
F20	P1	31+70.6	20.4' LT.
F21	P1	32+48.8	29.9' RT.
F22	P3	32+49.3	20.6' LT.
F23	P3	33+31.9	29.7' RT.
F24	P1	33+28.8	20.4' LT.
F25	P1	34+13.9	32.3' RT.
F26	P3	34+18.6	22.5' LT.
F27	P3	34+85.6	29.1' RT.
F28	P2	34+45.9	42.5' LT.
F29	P2	35+36.6	49.9' RT.
F30	P2	35+07.3	23.2' LT.
F31	P2	35+93.1	29.0' RT.
F32	P1	36+74.3	22.7' LT.
F33	P3	36+74.2	29.7' RT.
F34	P3	37+57.0	19.8' LT.
F35	P1	37+56.2	29.6' RT.
F36	P1	38+43.9	20.9' LT.
F37	P3	38+42.8	30.0' RT.
F38	P2	39+57.2	45.0' LT.
F39	P2	39+35.2	24.5' RT.
F40	P2	40+21.3	22.3' LT.
F41	P2	39+95.9	48.3' RT.

* ARM AND FIXTURE ONLY. TO BE MOUNTED TO PROPOSED TRAFFIC SIGNAL MAST ARM POLES.

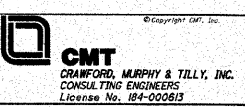
NOTES:
1. LIGHT POLE ASSEMBLIES INCLUDING POLES, DAVIT ARMS AND LUMINAIRES TO BE SUPPLIED BY OTHERS DELIVERED TO THE CONTRACTOR FROM THE MANUFACTURE FOR INSTALLATION UNDER THIS CONTRACT.



EXPIRES: 11/30/2011
Thomas Memminger
THOMAS MEMMINGER
ELECTRICAL ENGINEER

10/15/2010
DATE

FILE NAME = I:\champaign\180940180\draw\cadd\sheet	USER NAME = Jim Michael	DESIGNED - TW
Lighting_Plans_Details_Cddr		DRAWN - JAM
PLOT SCALE = 3/8" = 1' IN.		CHECKED - JMM
PLOT DATE = 10/15/2010		DATE = 10/15/2010



**CITY OF CHAMPAIGN
DEPARTMENT OF PUBLIC WORKS**

**ROADWAY LIGHTING DETAILS
FOURTH STREET IMPROVEMENT
CHAMPAIGN, ILLINOIS**

SCALE: N.T.S. SHEET NO. D OF 333 SHEETS STA. TO STA.

F.A.U. RT.:	SECTION	COUNTY	TOTAL SHEETS	SHEET NO.
TL71	10-00285-00-SP	CHAMPAIGN	55	53
CONTRACT NO. 91445			ILLINOIS FED. AID PROJECT	