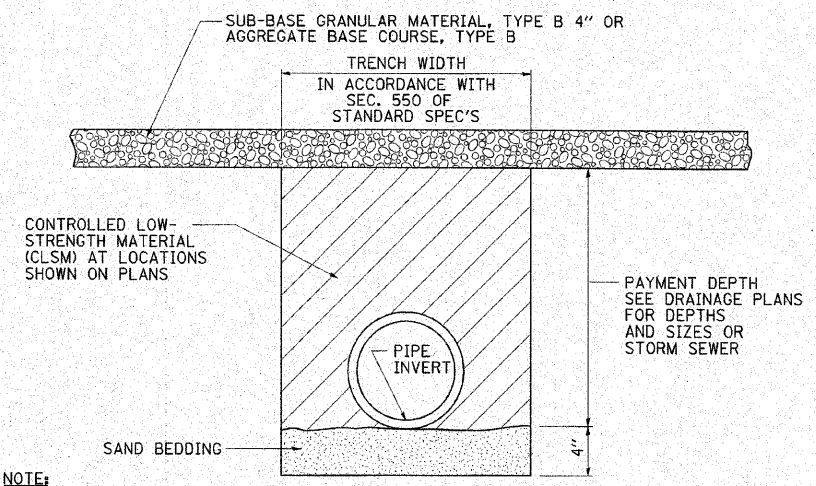


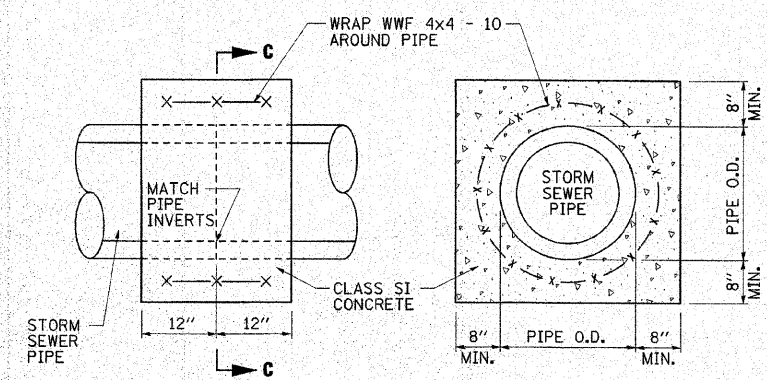
- NOTES:**
1. SEE THE DRAINAGE PLANS FOR THE LOCATION AND ELEVATION OF THE FRAMES AND GRATES.
  2. THIS DETAIL SHALL BE APPLICABLE FOR ALL FRAMES AND GRATES PLACED WITHIN COMBINATION CONCRETE CURB AND GUTTER, TYPE B-6.12 (SPECIAL).
  3. SEE STANDARD 604001, 604016 AND 604026 FOR ADDITIONAL INFORMATION.

**FRAME AND GRATE DETAIL**



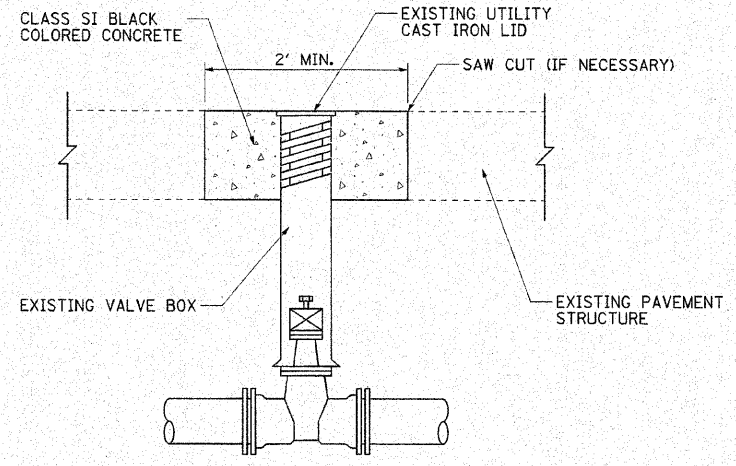
- NOTE:**
1. THE CLSM SHALL BE PLACE IN LIFTS AS DESCRIBED IN SECTION 593 OF THE STANDARD SPECIFICATIONS.
  2. THE APPLICABLE ARTICLES OF SECTION 550 OF THE STANDARD SPECIFICATIONS SHALL APPLY FOR EXCAVATION, BEDDING AND INSTALLATION OF STORM SEWERS.
  3. THE SAND BEDDING SHALL BE CONSIDERED INCLUDED IN THE COST OF THE CLSM AND NO ADDITIONAL COMPENSATION WILL BE ALLOWED.
  4. THE CLSM WILL BE PAID FOR IN ACCORDANCE WITH SECTION 593 OF THE STANDARD SPECIFICATIONS AND INCLUDES PAYMENT FOR THE MATERIAL TO THE TOP OF THE SAND BEDDING AS SHOWN ON THE DETAIL, THE QUANTITIES SHOWN ON THE PLANS ARE BASED ON A DEPTH MEASURED FROM THE TOP OF THE SAND BEDDING TO THE BOTTOM LIMITS OF THE SUB-BASE GRANULAR MATERIAL OR THE AGGREGATE BASE COURSE.

**CONTROLLED LOW-STRENGTH MATERIAL DETAIL**



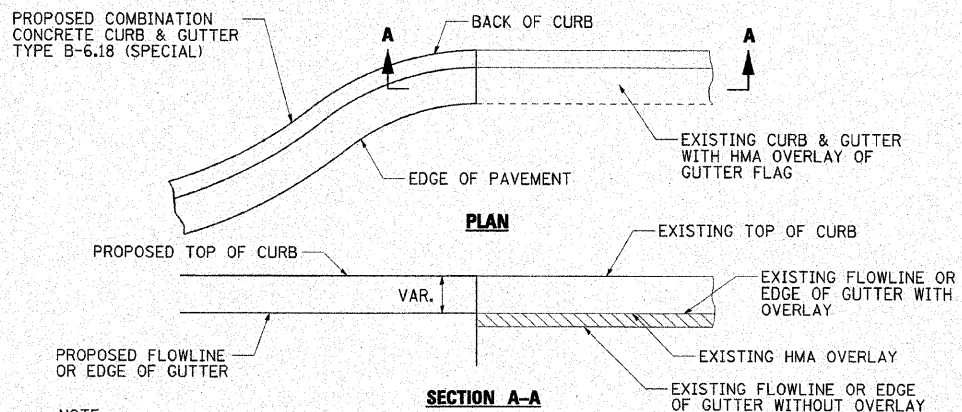
**NOTE:**  
THE CONCRETE COLLARS SHALL BE UTILIZED WHERE CONNECTING STORM SEWERS OF DIFFERENT TYPES OR AS DIRECTED BY THE ENGINEER. THE COST OF CONSTRUCTING THE CONCRETE COLLARS WILL BE PAID FOR AT THE CONTRACT UNIT PRICE PER CUBIC YARD FOR CONCRETE COLLAR.

**CONCRETE COLLAR DETAIL**



**NOTE:**  
THIS WORK WILL BE PAID FOR AT THE CONTRACT UNIT PRICE EACH FOR VALVE BOXES TO BE ADJUSTED (SPECIAL), WHICH PRICE SHALL INCLUDE ALL LABOR, MATERIAL, AND EQUIPMENT NECESSARY TO COMPLETE THE WORK, INCLUDING PAVEMENT REMOVAL, EXCAVATION, ADJUSTING RINGS, CLASS SI BLACK COLORED CONCRETE, AND CONCRETE STAMPING WHERE REQUIRED. THE LETTER SIZE FOR THE PROPOSED LEGEND STAMPED IN THE CONCRETE SHALL MATCH THE EXISTING LETTER SIZE.

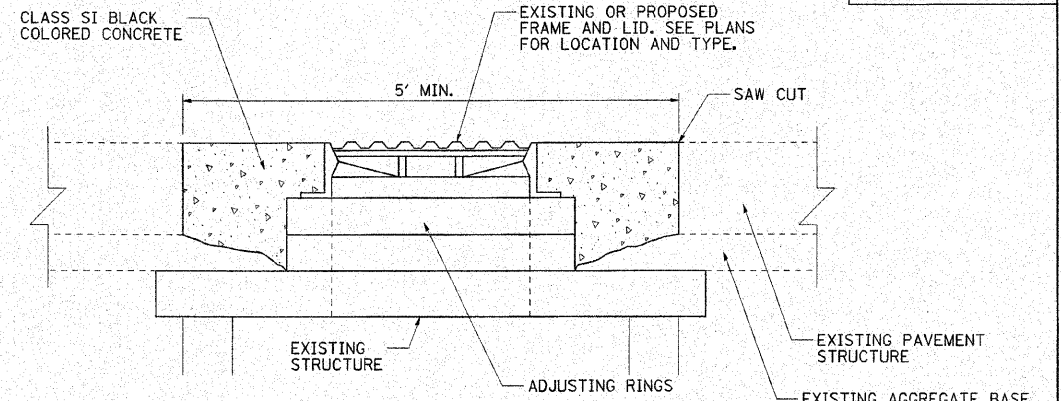
**VALVE BOXES TO BE ADJUSTED (SPECIAL) DETAIL**



**NOTE:**  
1. WHERE THE PROPOSED CURB AND GUTTER MEETS THE EXISTING CURB AND GUTTER, THE PROPOSED OVERLAY OF THE EXISTING GUTTER FLAG SHALL BE TRANSITIONED TO MATCH THE PROPOSED GUTTER FLAG WITHOUT OVERLAY AS DIRECTED BY THE ENGINEER.

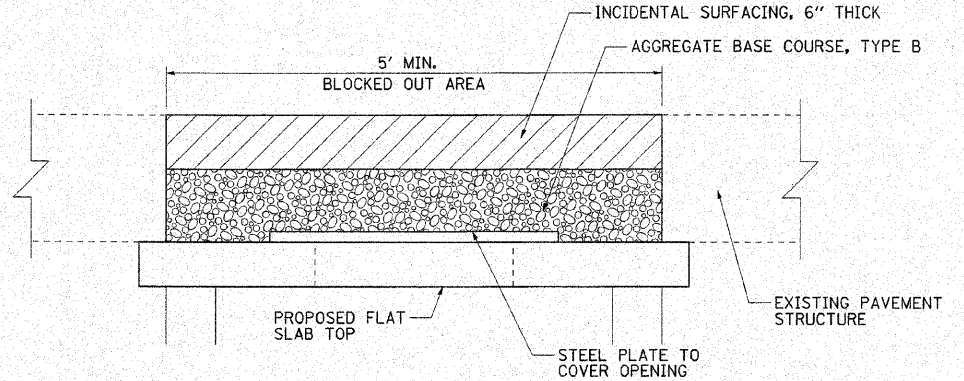
**GUTTER FLAG DETAIL**

EXISTING GUTTER FLAG WITH HMA OVERLAY AND PROPOSED GUTTER FLAG WITHOUT HMA OVERLAY



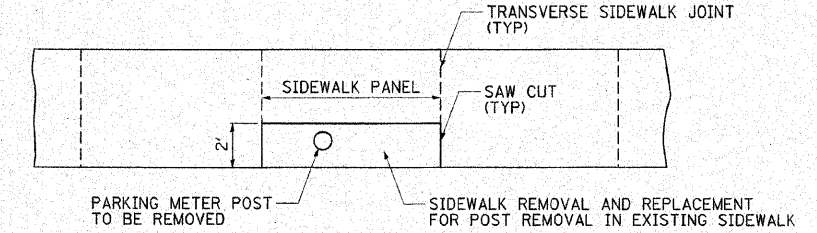
**NOTE:**  
THIS WORK WILL BE PAID FOR AT THE CONTRACT UNIT PRICE EACH FOR: MANHOLES TO BE ADJUSTED (SPECIAL) MANHOLES TO BE ADJUSTED WITH NEW TYPE 1 FRAME, OPEN LID; WHICH PRICE SHALL INCLUDE ALL LABOR, MATERIAL AND EQUIPMENT NECESSARY TO COMPLETE THE WORK, INCLUDING PAVEMENT REMOVAL, EXCAVATION, ADJUSTING RINGS, AND CLASS SI BLACK COLORED CONCRETE.

**FRAME AND LID ADJUSTING DETAIL (INSIDE PAVEMENT AREA)**



**NOTE:**  
THIS DETAIL IS FOR TEMPORARY PAVEMENT ABOVE PROPOSED STRUCTURES. THE TEMPORARY PAVEMENT IS REQUIRED UNTIL THE PROPOSED CASTING IS ADJUSTED TO GRADE AFTER THE PROPOSED CONCRETE PATCH IS CONSTRUCTED. THE STEEL PLATE SHALL BE INCLUDED IN THE COST OF THE PROPOSED DRAINAGE STRUCTURE. THE INCIDENTAL SURFACE AND THE AGGREGATE BASE COURSE WILL BE PAID FOR SEPARATELY. SEE THE SPECIAL PROVISIONS FOR ADDITIONAL INFORMATION.

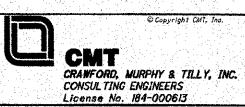
**DETAIL A**



**NOTE:**  
THIS WORK WILL BE PAID FOR AT THE CONTRACT UNIT PRICE EACH FOR REMOVING AND RESETTING STREET SIGNS, WHICH PRICE SHALL INCLUDE ALL LABOR, MATERIAL, AND EQUIPMENT NECESSARY TO COMPLETE THE WORK, AND PARKING METER POSTS TO BE REMOVED, AND PCC SIDEWALK 6" WILL BE PAID FOR SEPARATELY.

**PARKING METER POST RELOCATION/REMOVAL**

FILE NAME =	USER NAME = Jim Michael	DESIGNED - JMM
1:\champaign\100948100\draw\cadd\sheet	Miscellaneous_Detail.001.dgn	DRAWN - JMM
PLOT SCALE = 10.0000' / IN.		CHECKED - JMM
PLOT DATE = 10/18/2010		DATE - 10/15/2010



**CITY OF CHAMPAIGN DEPARTMENT OF PUBLIC WORKS**

**MISCELLANEOUS DETAILS FOURTH STREET IMPROVEMENT CHAMPAIGN, ILLINOIS**

SCALE: N.T.S. SHEET NO. 54 OF 55 SHEETS STA. N/A TO STA. N/A

F.A.U. RTE.	SECTION	COUNTY	TOTAL SHEETS	SHEET NO.
7171	10-00285-00-SP	CHAMPAIGN	55	54
CONTRACT NO. 91445			ILLINOIS FED. AID PROJECT	