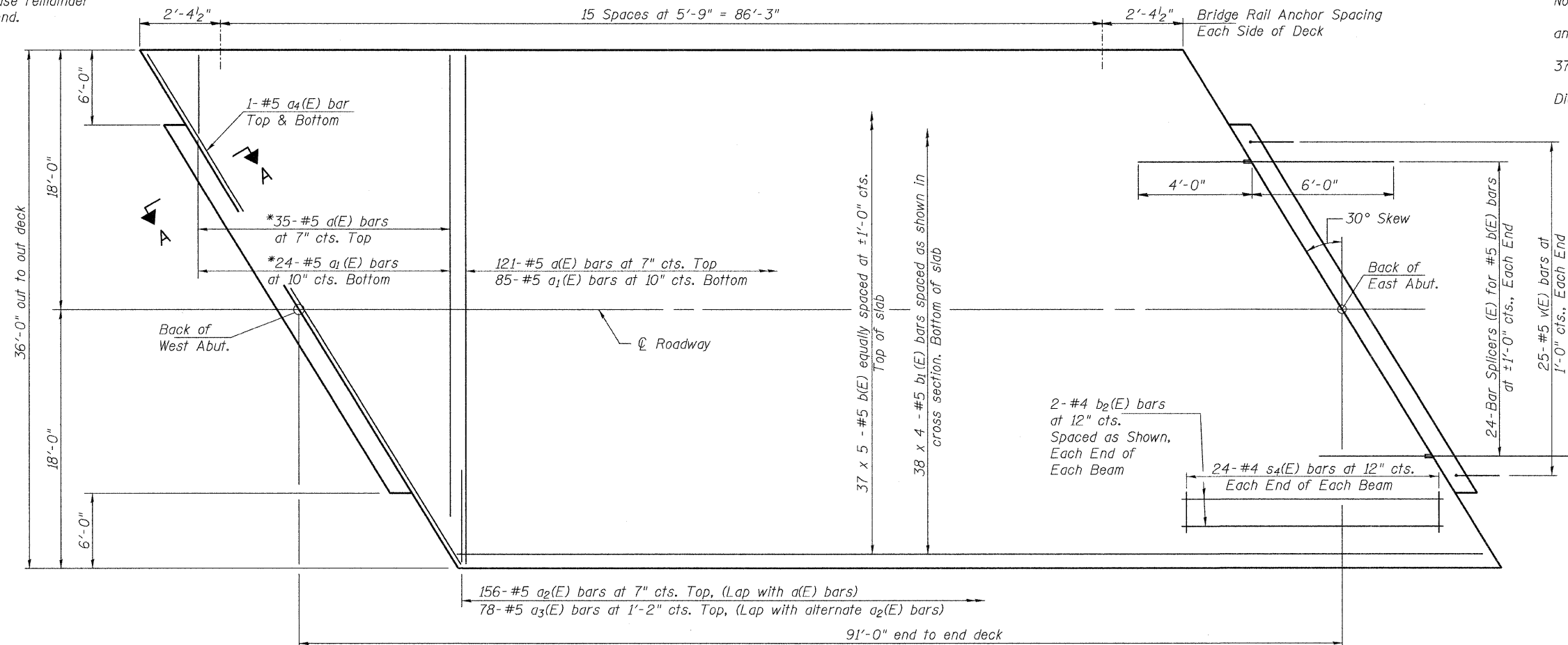
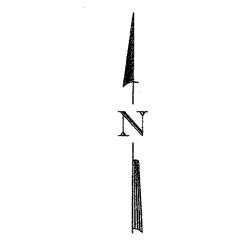


*Order a(E) & a₁(E) bars full length.
Cut to fit skew and use remainder
of bars in opposite end.

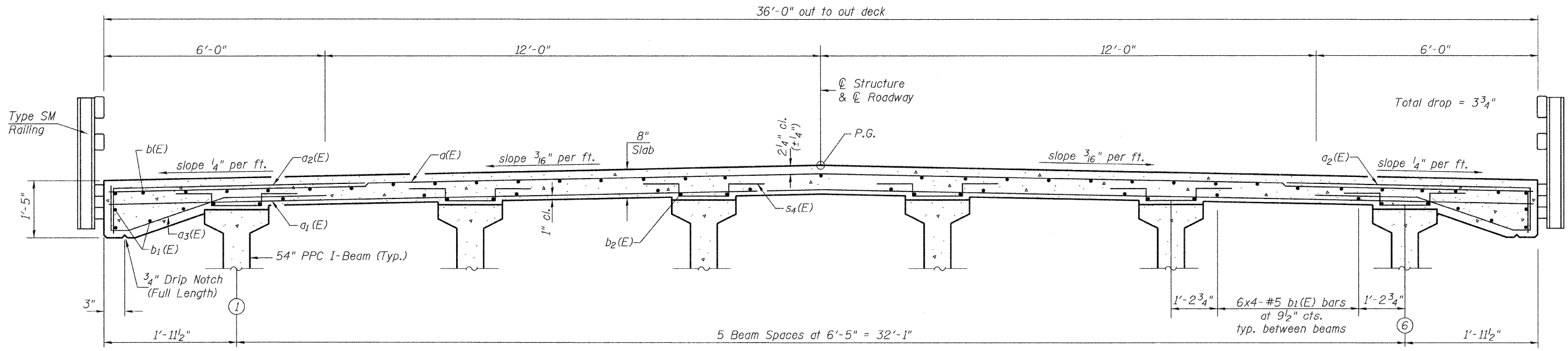


Notes:
See sheet 8 of 19 for superstructure details,
and Bill of Material.
Bars indicated thus 37 x 5-#5 etc. indicates
37 lines of bars with 5 lengths per line.
See sheet 9 of 19 for Section A-A &
Diaphragm Details.



MIN. BAR LAP
#5 = 1'-8"

PLAN



CROSS SECTION
(Looking East)

SUPERSTRUCTURE
C.H. 12 OVER HICKS CREEK
SECTION 07-00090-00-BR
MACOUPIN COUNTY

SHEET NO. 7	ROUTE NO.	SECTION	COUNTY	TOTAL SHEETS	SHEET NO.
	CH 12	07-00090-00-BR	MACOUPIN	77	17
19 SHEETS	SN 059-3556		CONTRACT NO. 93538		
	FED. ROAD DIST. NO. 7 ILLINOIS		FED. AID PROJECT BRS-0732(148)		