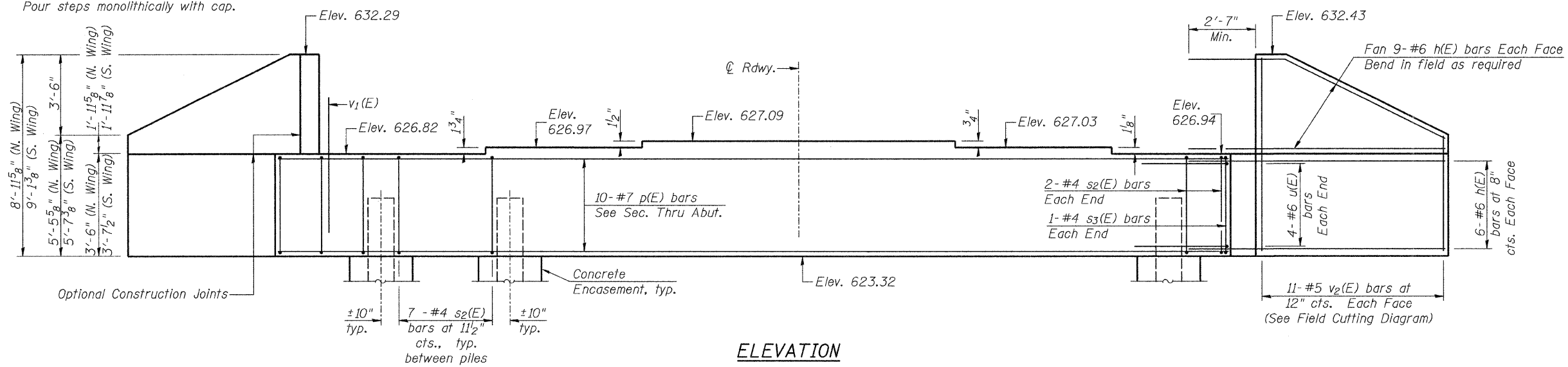
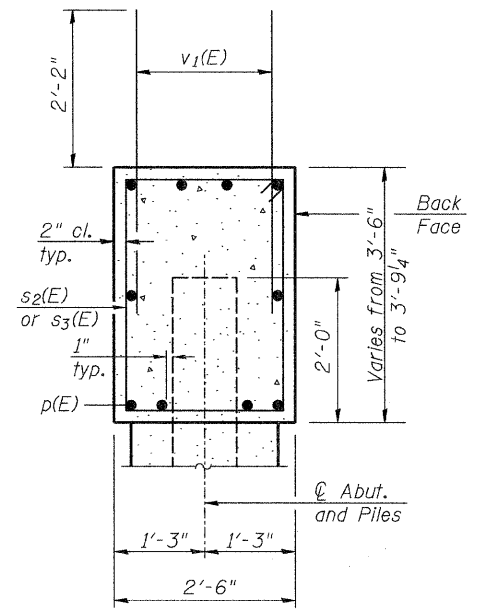


Notes:
Four steps monolithically with cap.



ELEVATION



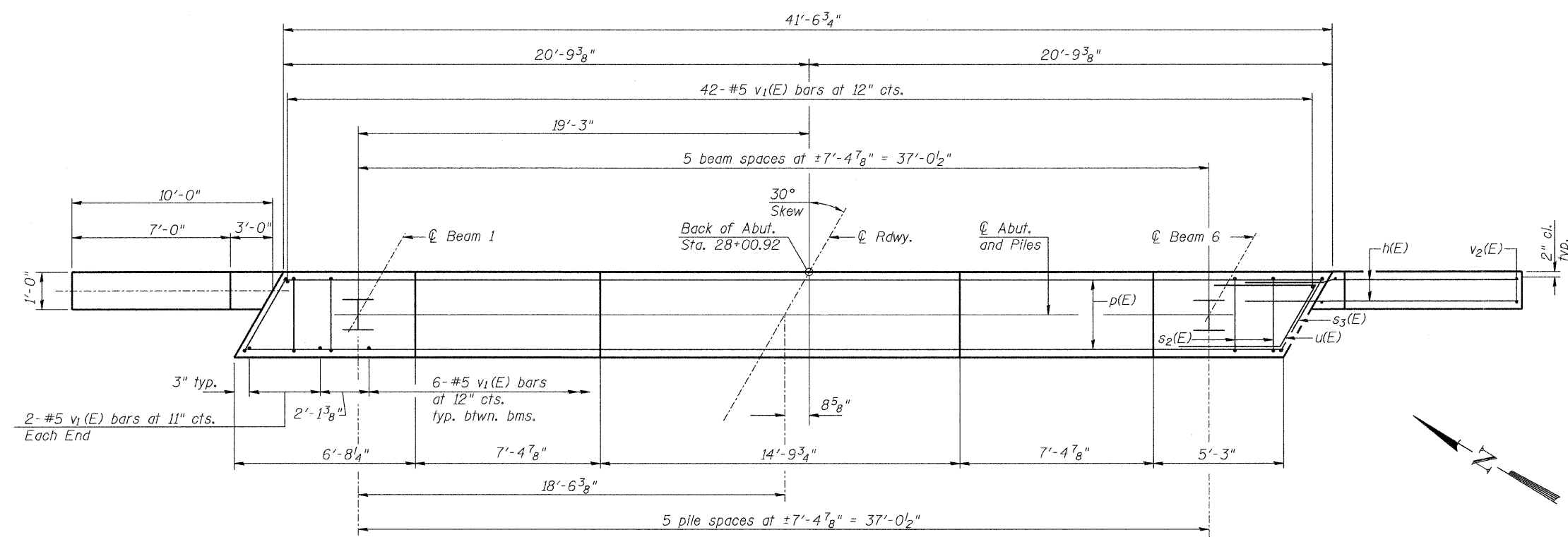
SEC. THRU ABUT.

**EAST ABUTMENT
BILL OF MATERIAL**

Bar	No.	Size	Length	Shape
h(E)	60	#6	12'-7"	—
p(E)	10	#7	41'-2"	—
s ₂ (E)	39	#4	11'-5"	□
s ₃ (E)	2	#4	12'-1"	□
u(E)	8	#6	10'-5"	┌
v ₁ (E)	76	#5	4'-4"	—
v ₂ (E)	22	#5	13'-10"	—
Structure Excavation		Cu. Yd.	180	
Concrete Structures		Cu. Yd.	19.9	
① Reinforcement Bars, Epoxy Coated		Pound	3,080	
Furnishing Steel Piles HP12x63		Foot	375	
① Driving Piles		Foot	375	
① Test Pile Steel HP12x63		Each	1	
Concrete Encasement		Cu. Yd.	2.1	

① See Special Provisions

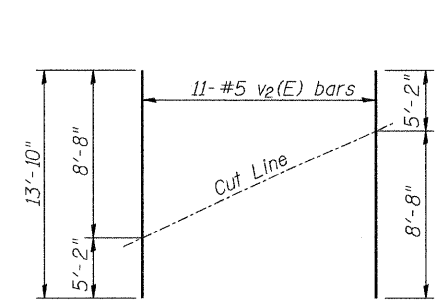
For details of Piles and Concrete Encasement, see sheet 17 of 19.



PLAN

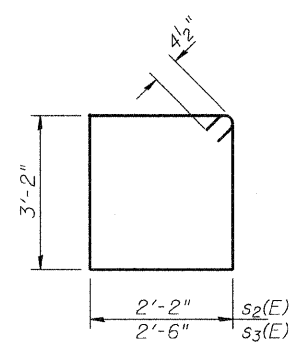
PILE DATA

Type: HP 12x63
Nominal Required Bearing: 460k
Factored Resistance Available: 230 k
Est. Length: 75'
No. Production Piles: 5
No. Test Piles: 1

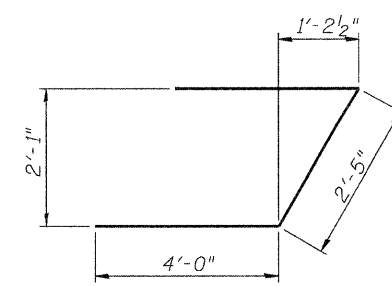


FIELD CUTTING DIAGRAM

Order v₂(E) full length. Cut as shown and use remainder of bars in opposite face.



BARS s₂(E) & s₃(E)



BAR u(E)

**EAST ABUTMENT
C.H. 12 OVER HICKS CREEK
SECTION 07-00090-00-BR
MACOUPIN COUNTY**

SHEET NO. 15 19 SHEETS	ROUTE NO. CH 12	SECTION 07-00090-00-BR SN 059-3556	COUNTY MACOUPIN	TOTAL SHEETS 77	SHEET NO. 25
	FED. ROAD DIST. NO. 7 ILLINOIS			CONTRACT NO. 93538 FED. AID PROJECT BRS-0732(148)	