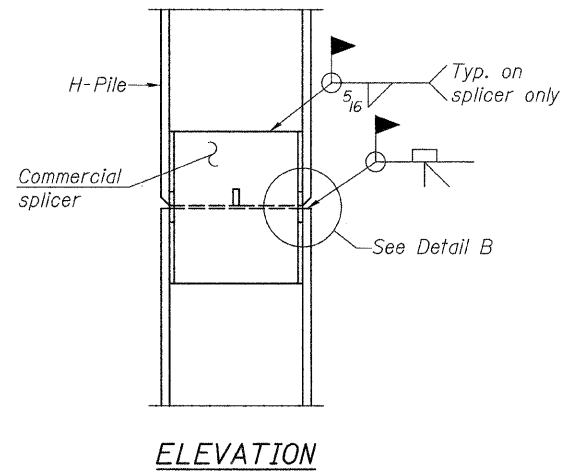
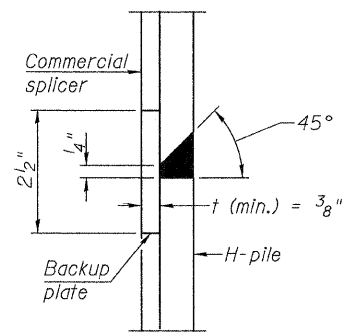


**STEEL PILE TABLE**

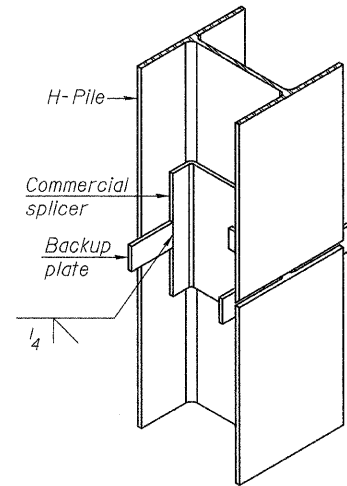
Designation	Depth d	Flange width bf	Web and Flange thickness t	Encasement diameter A
HP 14x117	14 1/4"	14 7/8"	1 3/16"	30"
x102	14"	14 3/4"	1 1/16"	30"
x89	13 7/8"	14 3/4"	5/8"	30"
x73	13 5/8"	14 5/8"	1/2"	30"
HP 12x84	12 1/4"	12 1/4"	1 1/16"	24"
x74	12 1/8"	12 1/4"	5/8"	24"
x63	12"	12 1/8"	1/2"	24"
x53	11 3/4"	12"	7/16"	24"
HP 10x57	10"	10 1/4"	9/16"	24"
x42	9 3/4"	10 1/8"	7/16"	24"
HP 8x36	8"	8 1/8"	7/16"	18"



**ELEVATION**

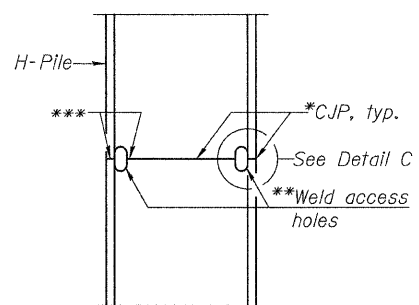


**DETAIL "B"**

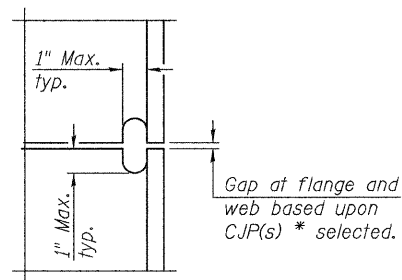


**ISOMETRIC VIEW**

**WELDED COMMERCIAL SPLICE**



**ELEVATION**



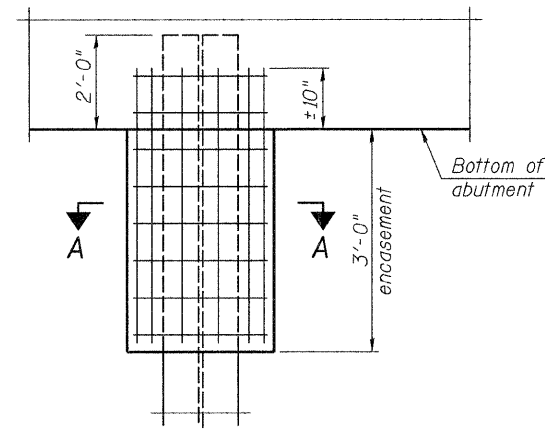
**DETAIL C**

**COMPLETE PENETRATION WELD SPLICE**

\* Use joint conforming to Figure 3.4 in AWS D1.1, Structure Welding Code - Steel.

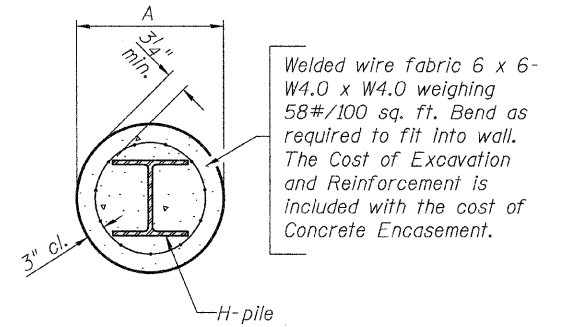
\*\* Preparation per Fig. 5.2 in AWS D1.1, Structure Welding Code - Steel.

\*\*\* Interrupt welds 1/4" from end of each pile.



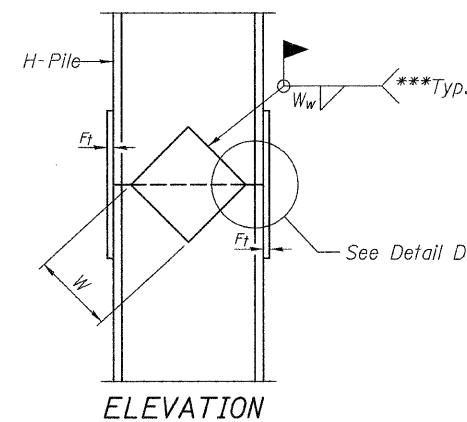
**ELEVATION**

**PILE ENCASEMENT**

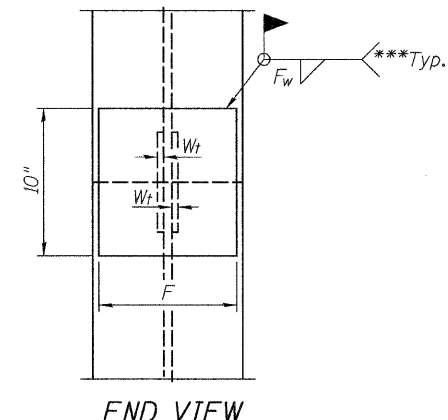


**SECTION A-A**

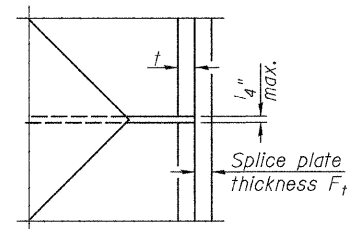
Note:  
Forms for encasement may be omitted when soil conditions permit.



**ELEVATION**



**END VIEW**



**DETAIL D**

**WELDED PLATE FIELD SPLICE**

Designation	F	Ft	Fw	W	Wt	Ww
HP 14x117	12 1/2"	1"	7/8"	7 3/4"	5/8"	1/2"
x102	12 1/2"	7/8"	3/4"	7 3/4"	5/8"	1/2"
x89	12 1/2"	3/4"	1 1/16"	7 3/4"	5/8"	1/2"
x73	12 1/2"	5/8"	9/16"	7 3/4"	5/8"	1/2"
HP 12x84	10"	7/8"	1 1/16"	6 1/2"	5/8"	1/2"
x74	10"	7/8"	1 1/16"	6 1/2"	5/8"	1/2"
x63	10"	5/8"	1/2"	6 1/2"	1/2"	3/8"
x53	10"	5/8"	1/2"	6 1/2"	1/2"	3/8"
HP 10x57	8"	3/4"	9/16"	5 1/4"	1/2"	3/8"
x42	8"	5/8"	9/16"	5 1/4"	1/2"	3/8"
HP 8x36	7"	5/8"	7/16"	4 1/4"	1/2"	3/8"

**HP PILE DETAILS**  
**C.H. 12 OVER HICKS CREEK**  
**SECTION 07-00090-00-BR**  
**MACOUPIN COUNTY**

SHEET NO. 17	ROUTE NO.	SECTION	COUNTY	TOTAL SHEETS	SHEET NO.
	CH 12	07-00090-00-BR	MACOUPIN	77	27
19 SHEETS	SN 059-3556		CONTRACT NO. 9 3 5 3 8		
FED. ROAD DIST. NO. 7		ILLINOIS	FED. AID PROJECT BRS-0732(148)		

Note:  
The steel H-piles shall be according to AASHTO M270 Grade 50.