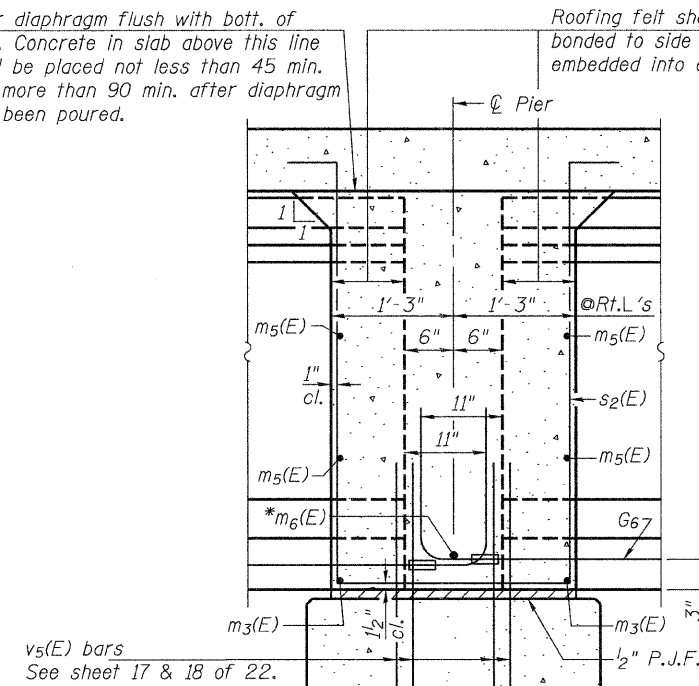


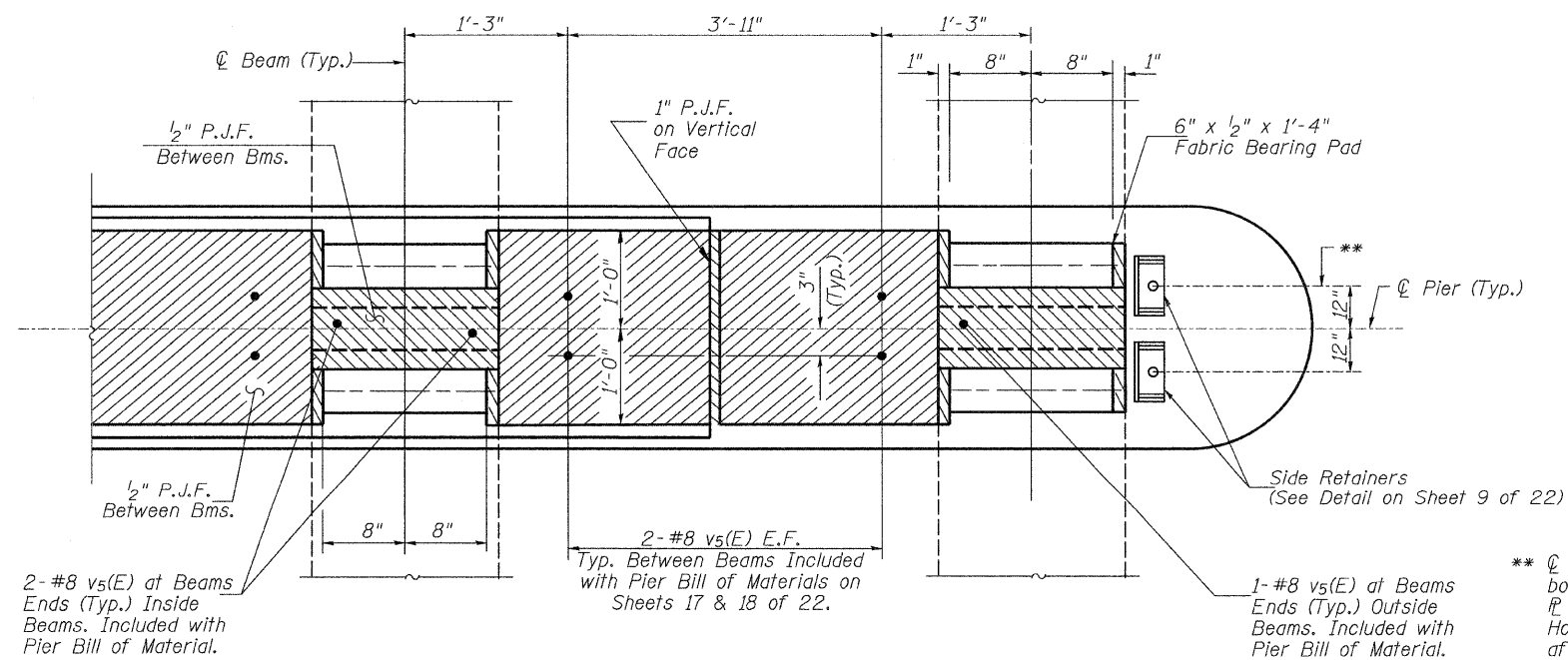
SECTION A-A

Pour diaphragm flush with bott. of slab. Concrete in slab above this line shall be placed not less than 45 min. nor more than 90 min. after diaphragm has been poured.

Roofing felt shall be bonded to side of beam embedded into diaphragm.



SECTION B-B



PLAN AT PIER
(Showing bearing pad and P.J.F. details)

Note: See sheet 9 of 22 for location of Sections A-A and B-B.

DIAPHRAGM DETAILS
C.H. 12 OVER JOES CREEK
SECTION 07-00090-00-BR
MACOUPIN COUNTY

SHEET NO. 10	ROUTE NO.	SECTION	COUNTY	TOTAL SHEETS	SHEET NO.
	22 SHEETS	CH 12	07-00090-00-BR	MACOUPIN	77
SN 059-3557			CONTRACT NO. 93538		
FED. ROAD DIST. NO. 7 ILLINOIS		FED. AID PROJECT BRS-0732(148)			