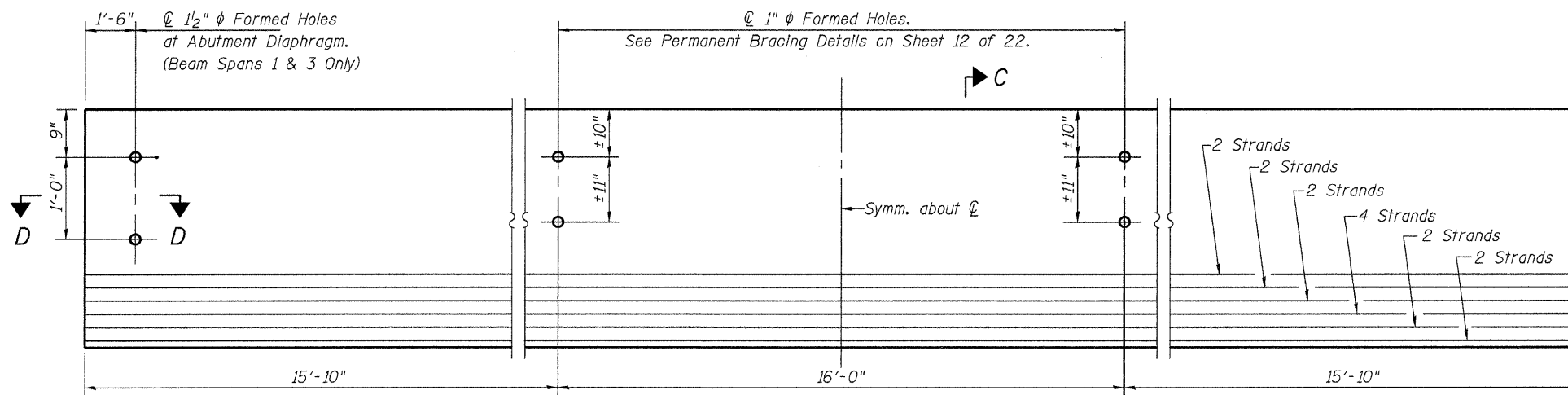
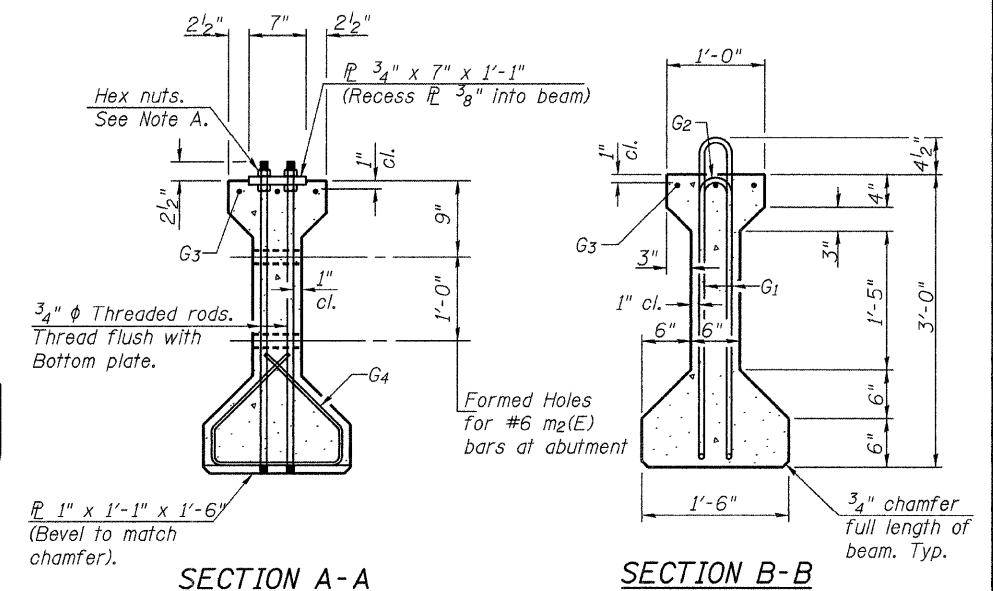


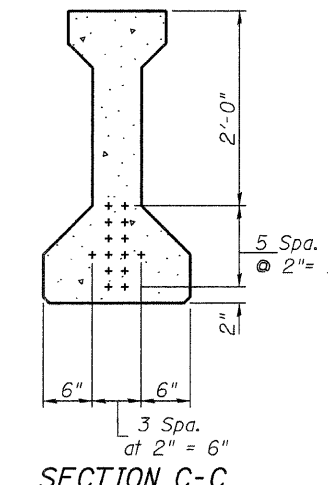
**ELEVATION OF BEAM**  
(Showing reinforcement & dimensions)

\*3 spaces at 3" = 9".  
\*\*4- $\frac{3}{4}$ "  $\phi$  threaded dowel rods at 3" cts., Each Face.

Note A:  
Hex nuts (top and bottom) with lock washers (top). Only tighten sufficiently to compress lock washers.



**ELEVATION OF BEAM**  
(Showing prestressing steel)

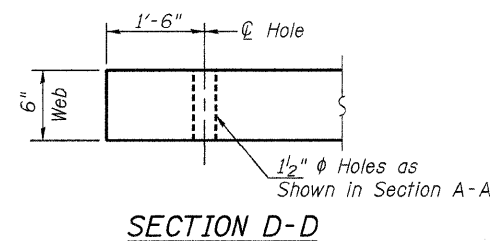


**\*\*\*BAR LIST  
ONE BEAM ONLY**

Bar	No.	Size	Length	Shape
G <sub>1</sub>	80	#4	7'-5"	$\cap$ L
G <sub>2</sub>	8	#4	5'-8"	$\cap$
G <sub>3</sub>	6	#5	24'-10"	—
G <sub>4</sub>	38	#3	4'-1"	$\wedge$
G <sub>6</sub>	N	#8	6'-6"	—

\*\*\*For information only  
N = 2 Spans 1 & 3  
N = 4 Span 2

Notes:  
See sheet 14 of 22 for additional details and Bill of Material.  
Required release strength,  $f'_{cl}$ , shall be 5,000 psi.



**36" PPC I-BEAM  
C.H. 12 OVER JOES CREEK  
SECTION 07-00090-00-BR  
MACOUPIN COUNTY**

SHEET NO. 13 22 SHEETS	ROUTE NO. CH 12	SECTION 07-00090-00-BR	COUNTY MACOUPIN	TOTAL SHEETS 77	SHEET NO. 42
	SN 059-3557		CONTRACT NO. 93538		
FED. ROAD DIST. NO. 7 ILLINOIS			FED. AID PROJECT BRS-0732(148)		