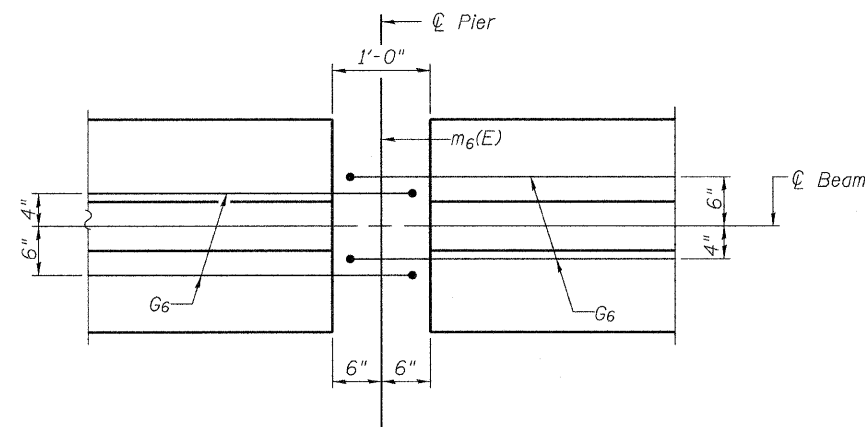
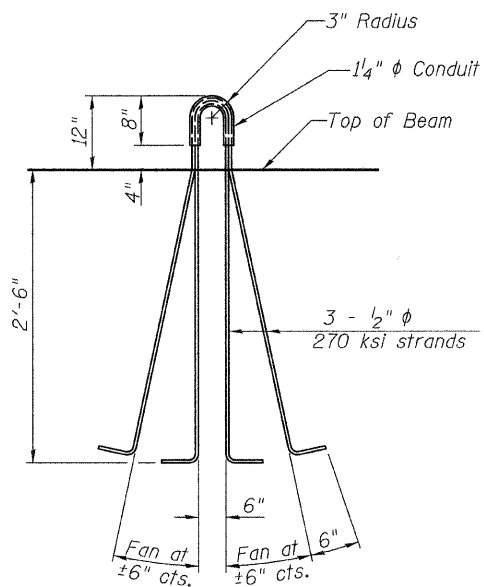


ELEVATION OF BEAM AT PIER

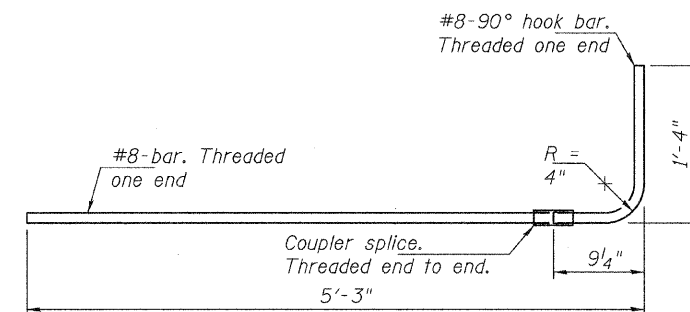


PLAN OF BEAM AT PIER

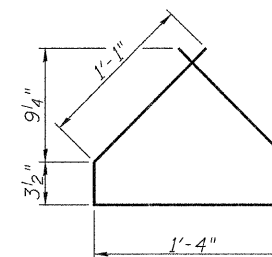


LIFTING LOOP DETAIL

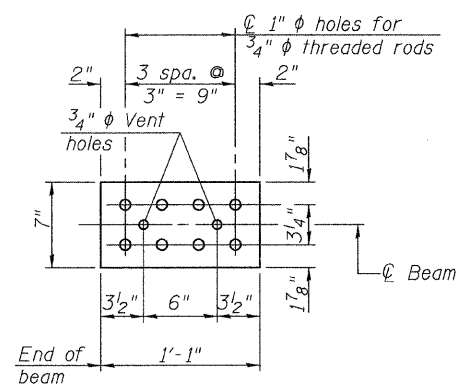
NOTES
 Inserts for 3/4" ϕ threaded dowel rods, when specified, are to be two strut, ferrule type for interior beams and single ferrule, flared loop type for exterior beams. Prestressing steel shall be uncoated high strength, low relaxation 7-wire strand, Grade 270. The nominal diameter shall be 1/2" and the nominal cross-sectional area shall be 0.153 sq. in.
 Reinforcement bars shall conform to ASTM A 706, Grade 60. A minimum 2 1/2" ϕ lifting pin shall be used to engage the lifting loops during handling. Tilt G₆ bars when necessary to maintain 1/2" clearance. The top and bottom plates shall be AASHTO M270 Grade 50. The bottom plates and studs shall be galvanized according to AASHTO M111. Threaded rods shall be ASTM F 1554 Grade 55. The G₆ bar assembly shall have the threaded ends oversized to ensure no reduction in cross sectional area after threading. The coupler splice shall be capable of developing 125 percent of the yield strength of the reinforcement bar.



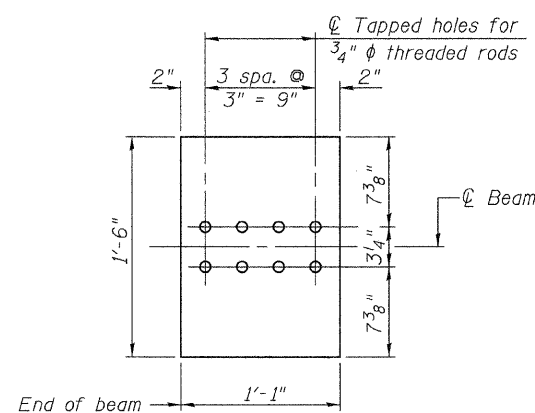
G6 BAR ASSEMBLY



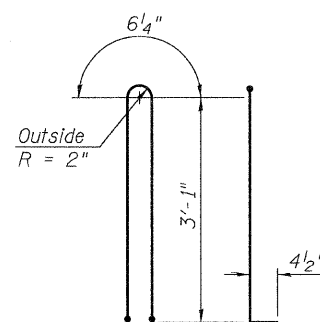
BAR G4



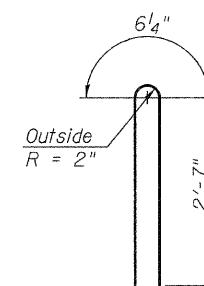
TOP PLATE



BOTTOM PLATE



BAR G1



BAR G2

BILL OF MATERIAL

Item	Unit	Total
Furnishing and Erecting Precast Prestressed Concrete I-Beams, 36"	Foot	858

**36" PPC I-BEAM DETAILS
 C.H. 12 OVER JOES CREEK
 SECTION 07-00090-00-BR
 MACOUPIN COUNTY**

SHEET NO. 14 22 SHEETS	ROUTE NO.	SECTION	COUNTY	TOTAL SHEETS	SHEET NO.
	CH 12	07-00090-00-BR	MACOUPIN	77	43
SN 059-3557			CONTRACT NO. 93538		
FED. ROAD DIST. NO. 7 ILLINOIS			FED. AID PROJECT BRS-0732(148)		