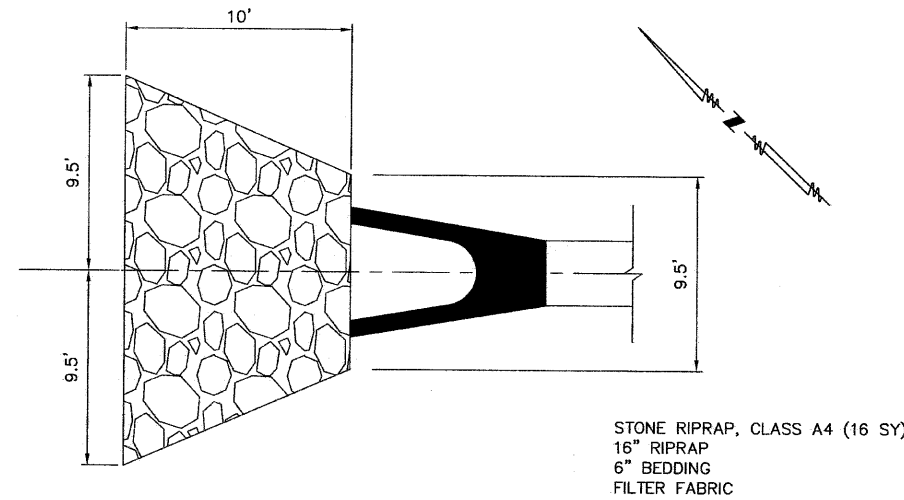
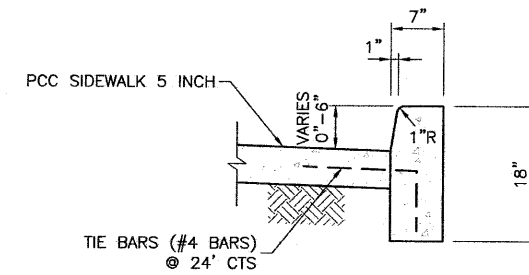


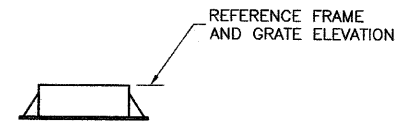
STABILIZED CONSTRUCTION ENTRANCE
N.T.S.



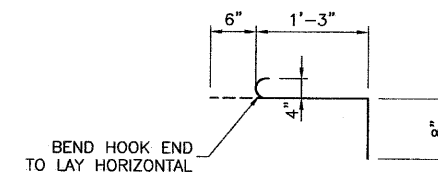
RIPRAP AT 18" PRC FLARED END SECTION



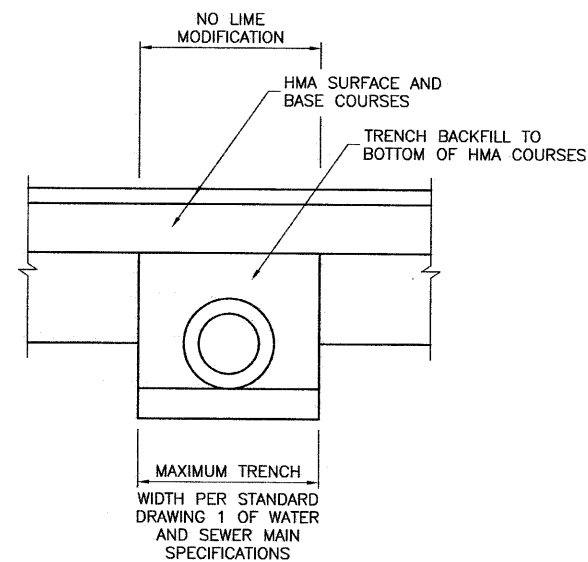
BARRIER CURB ADJACENT TO PCC SIDEWALK 5 INCH



FRAME AND LIDS, TYPE 1

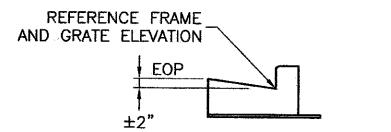


TIE BAR (#4 BARS)
TIE BARS WILL BE PAID FOR EACH



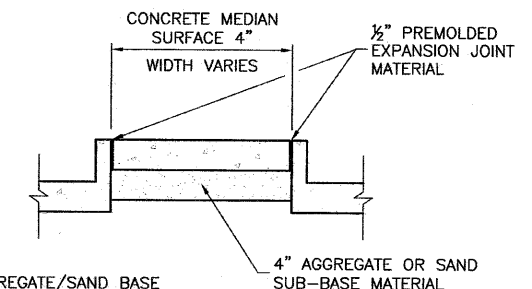
BACKFILL DETAIL

LINES 1-2, 10-11, 12-13
17-18, 14-8, 15-7, 33-16
19-EX PIPE AND 20-EX PIPE



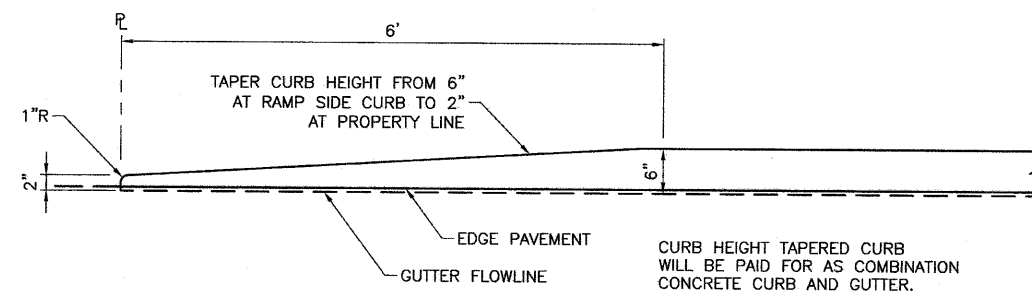
FRAME AND GRATE, TYPE 3

REFERENCE FRAME AND GRATE ELEVATIONS



NOTE: COST OF AGGREGATE/SAND BASE AND JOINT MATERIAL SHALL BE INCLUDED IN THE COST OF CONCRETE MEDIAN SURFACE, 4 INCH

CONCRETE MEDIAN SURFACE, 4 INCH



CURB HEIGHT TAPER

CURB HEIGHT TAPERED CURB WILL BE PAID FOR AS COMBINATION CONCRETE CURB AND GUTTER, TYPE B-6.18

SHEET TITLE	
CONSTRUCTION DETAILS	
PROJECT FAU RTE. 8046 (MEADOWBROOK ROAD) SECTION 09-00465-00-PV CITY OF SPRINGFIELD SANGAMON COUNTY	PROJECT NO. 09040 DATE 4/19/10 DRAWN BY PPW CHECKED BY
	DRAWING NO. 22
	OF 30 SHEETS OF 30 SHEETS