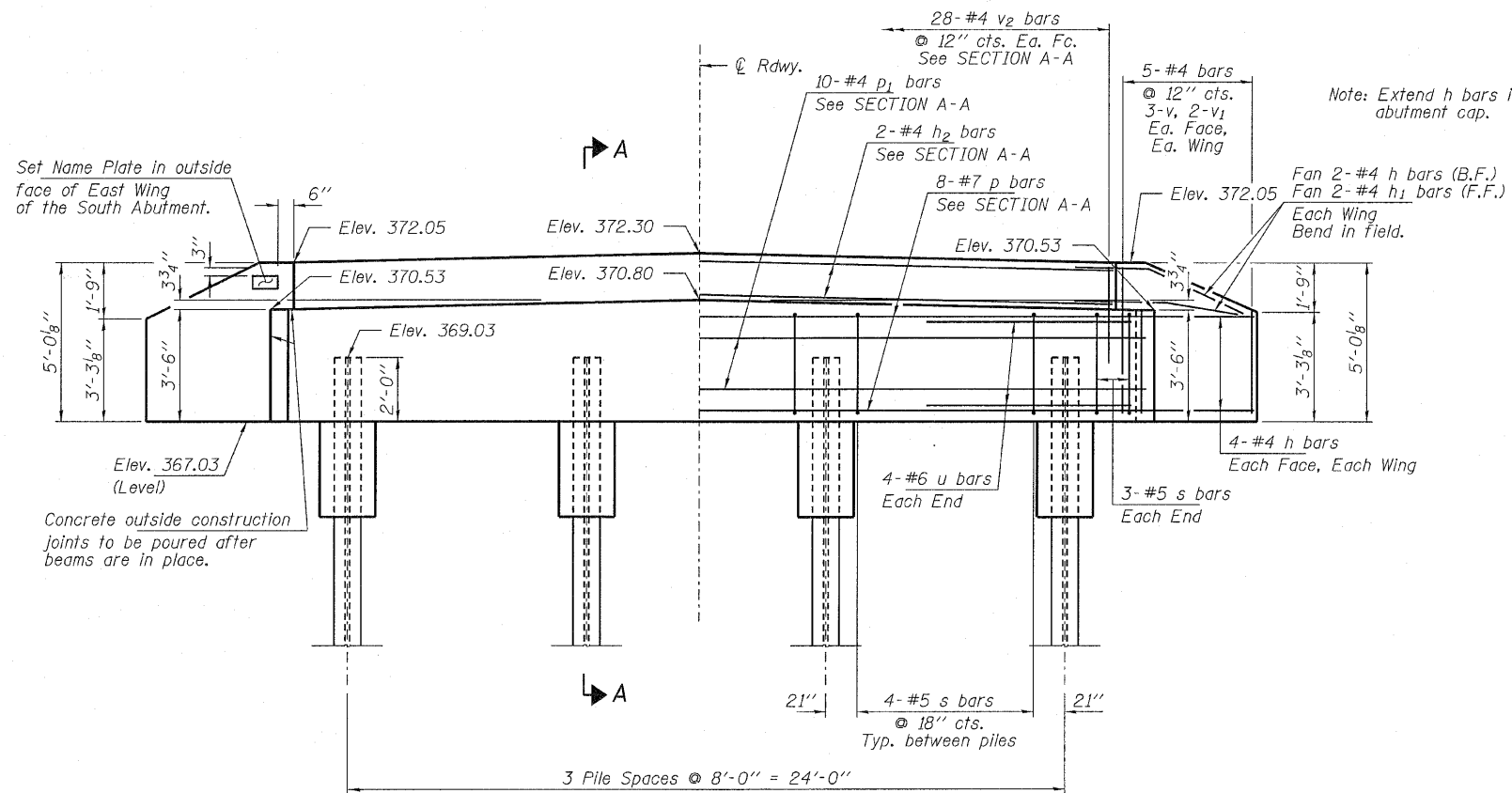
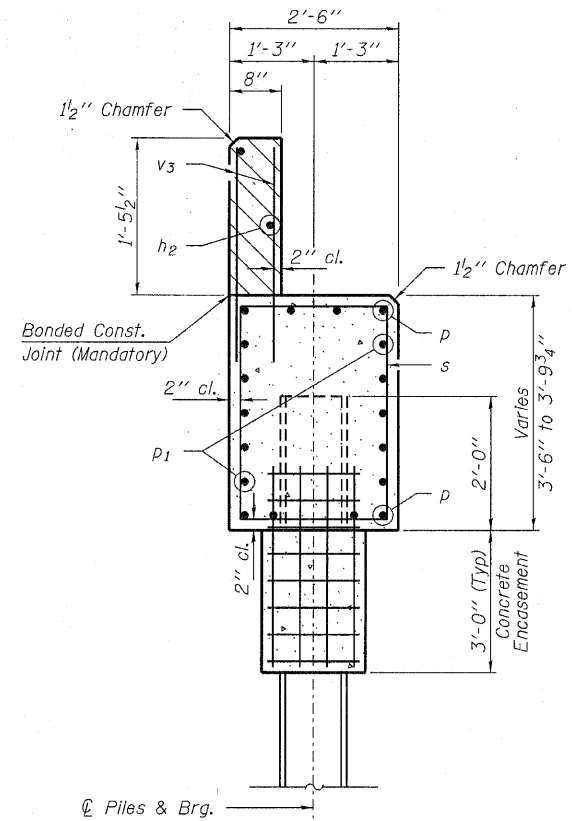


PLAN



ELEVATION



SECTION A-A

Hatched area to be poured after beams are in place.

BILL OF MATERIAL - 2 ABUTS.

BAR	NO.	SIZE	LENGTH	SHAPE
h	40	#4	5'-9"	—
h ₁	8	#4	4'-3"	—
h ₂	4	#4	26'-10"	—
p	16	#7	26'-10"	—
p ₁	20	#4	26'-10"	—
s	36	#5	11'-7"	□
u	16	#6	12'-3"	▭
v	24	#4	4'-0"	—
v ₁	16	#4	3'-0"	—
v ₂	56	#4	2'-4"	—
Concrete Structures			Cu. Yd.	22.8
Concrete Encasement			Cu. Yd.	2.8
Reinforcement Bars			Pound	2,400
Steel Piles HP10x42			Foot	280
Name Plates			Each	1

PILE DATA

Type: Steel HP10x42
 No. Req'd. (2 Abuts.): 8
 Factored Resistance Available (Rf): 167 Kips/Pile
 Nominal Required Bearing (Rn): 335 Kips/Pile
 Est. Length: 35 Ft/Pile

Notes: The Steel H-Piles shall be according to AASHTO M270 Grade 50.

DESIGNED - A.S.L.
CHECKED - S.W.M.
DRAWN - D.T.M.
CHECKED - S.W.M.

ABUTMENTS
 STRUCTURE NO. 030-3128

HAMPTON, LENZINI & RENWICK, INC. CIVIL & STRUCTURAL ENGINEERS LAND SURVEYORS 3085 STEVENSON DRIVE, SUITE 201 SPRINGFIELD, ILLINOIS 62703 (217) 548-3400	SHEET NO. 6	F.A.S.	SECTION	COUNTY	TOTAL SHEETS	SHEET NO.
	8 SHEETS	1897	08-00073-00-BR	GALLATIN	14	12
PROJECT NUMBER: 09.0121.130			FED. ROAD DIST. NO.		ILLINOIS FED. AID PROJECT	
DATE: 08/27/10			CONTRACT NO. 99422			