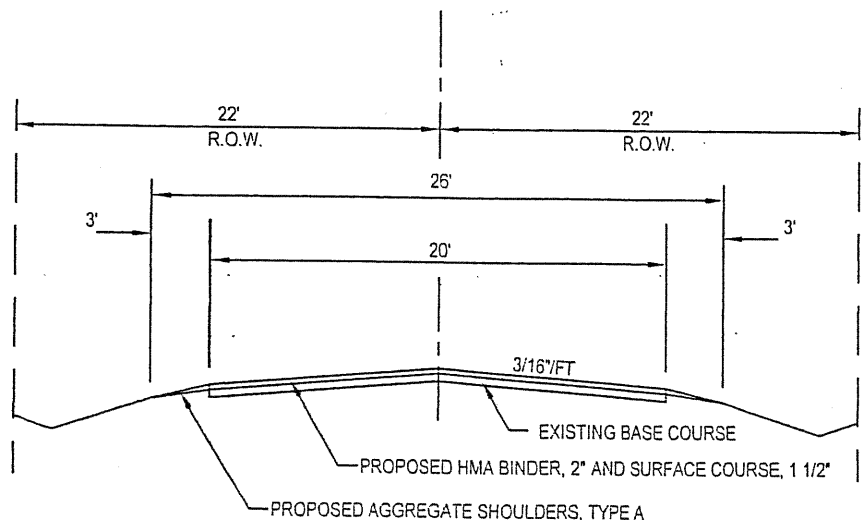
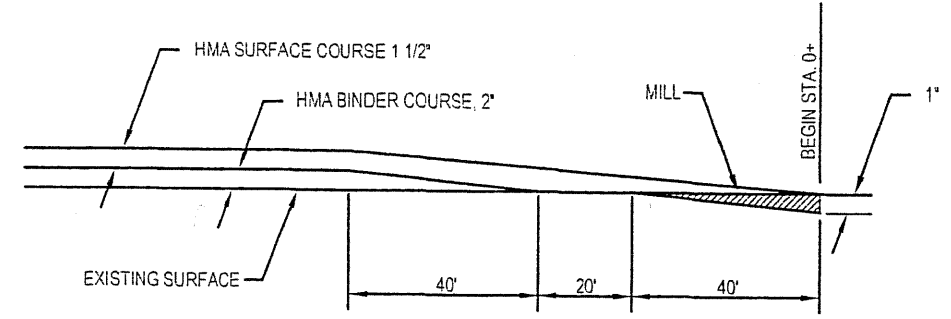


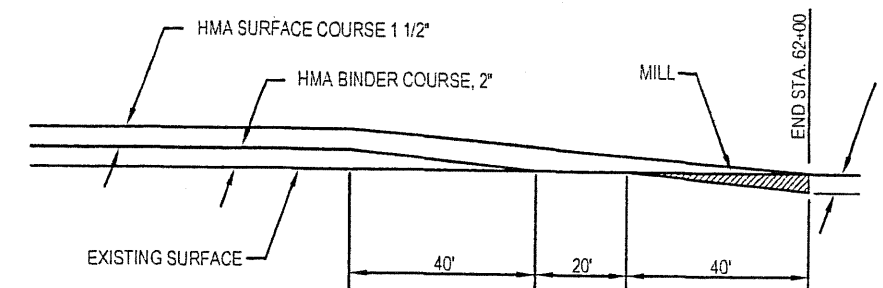
TYPICAL EXISTING SECTION



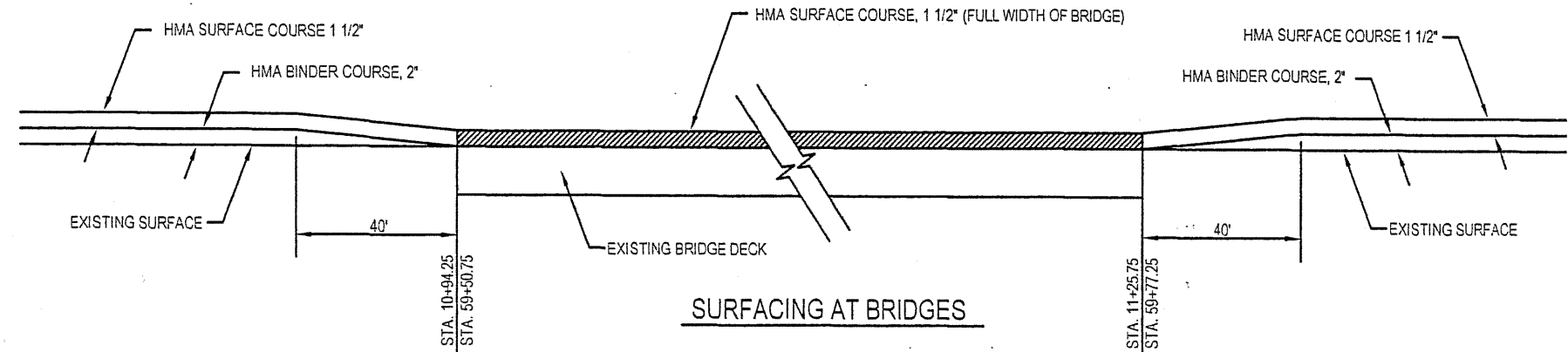
TYPICAL PROPOSED SECTION



BEGINNING BUTT JOINT



ENDING BUTT JOINT



SURFACING AT BRIDGES

SCHEDULE OF PAVEMENT MARKING LINE, 4"

NORTHBOUND LANE			SOUTHBOUND LANE				
STATION	NO PASSING (YELLOW SOLID)	CENTERLINE (YELLOW DASHED)	STATION	NO PASSING (YELLOW SOLID)	CENTERLINE (YELLOW DASHED)	STATION	EDGE LINE (WHITE SOLID)
0+00 to 1+32	132		0+00 to 10+90	1090		0+00 to 62+00	12,237
1+32 to 4+64		83	10+90 to 17+63		163.35		
4+64 to 14+12	948		17+63 to 23+15	552			
14+12 to 28+00		239.25	23+15 to 35+30		182.5		
28+00 to 34+30	630		35+30 to 42+00	670			
34+30 to 36+30		25	42+00 to 45+60		90		
36+30 to 54+00	1770		45+60 to 54+00	840			
54+00 to 62+00		200					
TOTALS	3480	567.35	TOTALS	3152	440.75	TOTALS	12,237

TYPICAL SECTIONS & MISCELLANEOUS DETAILS